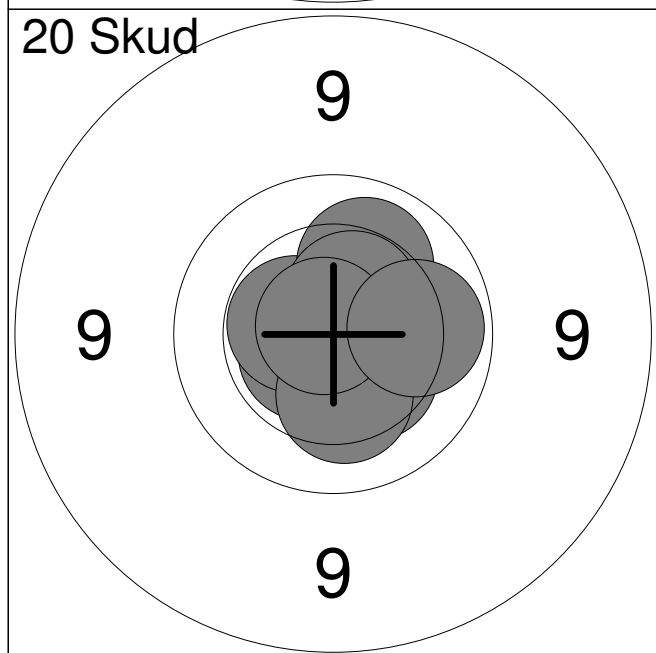
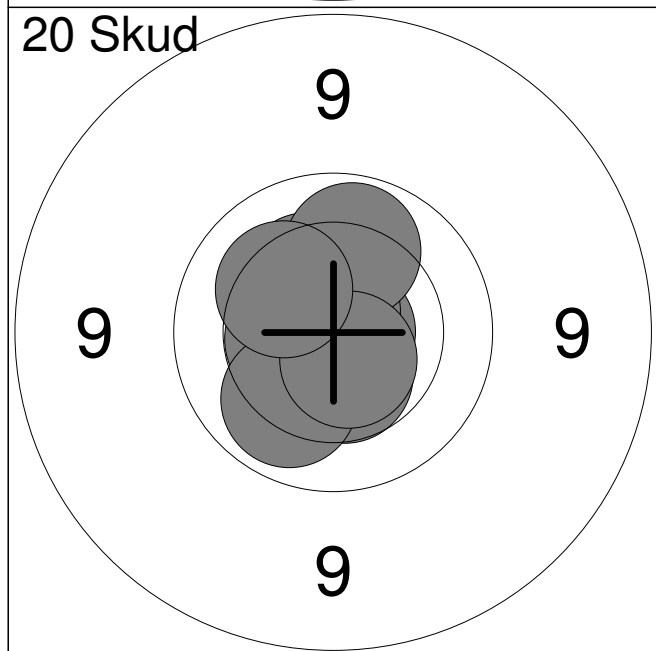


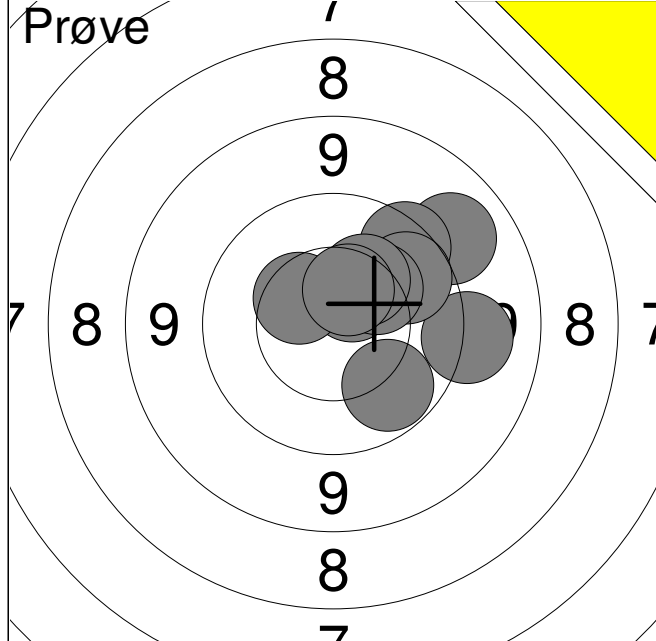
1:	10.1	↙
2:	9.3	↓
3:	9.7	↙
4:	9.9	↙
5:	10.1	←
6:	10.7x	↓
7:	10.1	↓
8:	10.1	↙
9:	10.4	↓
Serie		87.0
Total		0.0



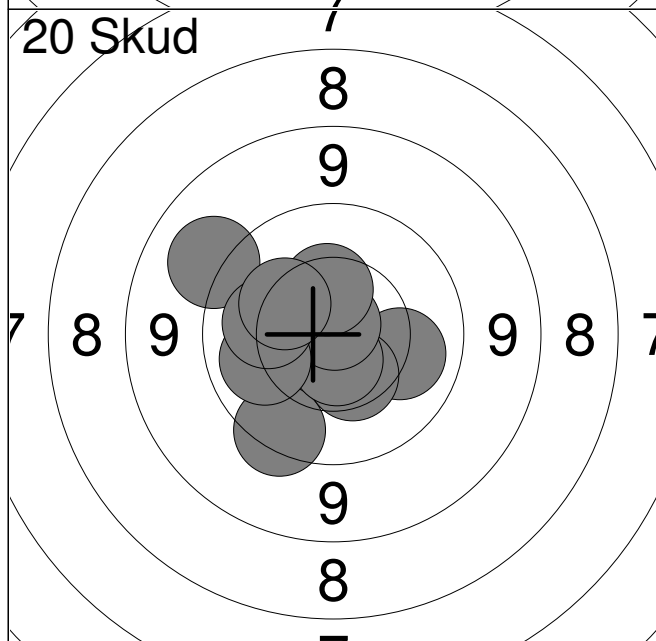
1:	10.4	↗
2:	10.4	↗
3:	10.6x	↙
4:	10.4	↘
5:	10.5x	←
6:	10.1	↗
7:	10.3	↓
8:	10.5x	↗
9:	10.8x	↗
10:	10.0	→
Serie		100.0
Total		100.0



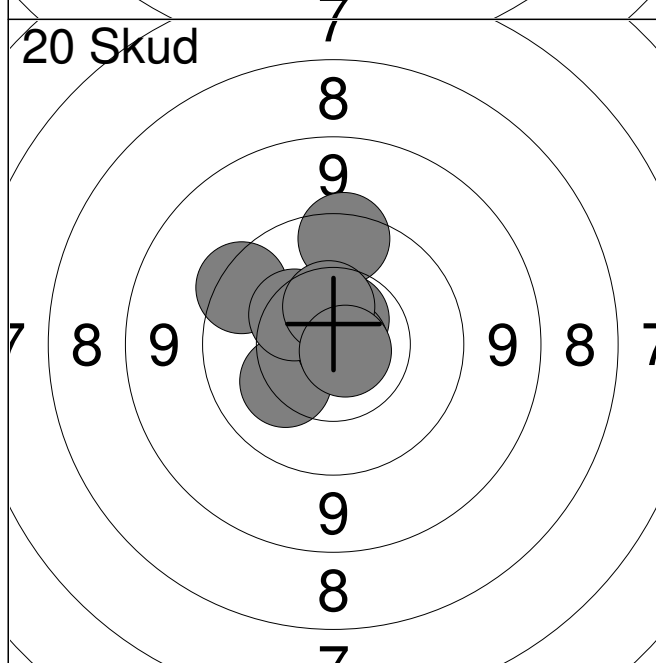
11:	10.3	↗
12:	10.5	↗
13:	10.5	↓
14:	10.8x	→
15:	10.7x	↑
16:	10.0	↑
17:	10.5x	←
18:	10.1	↘
19:	10.6x	↘
20:	10.2	↗
Serie		100.0
Total		200.0



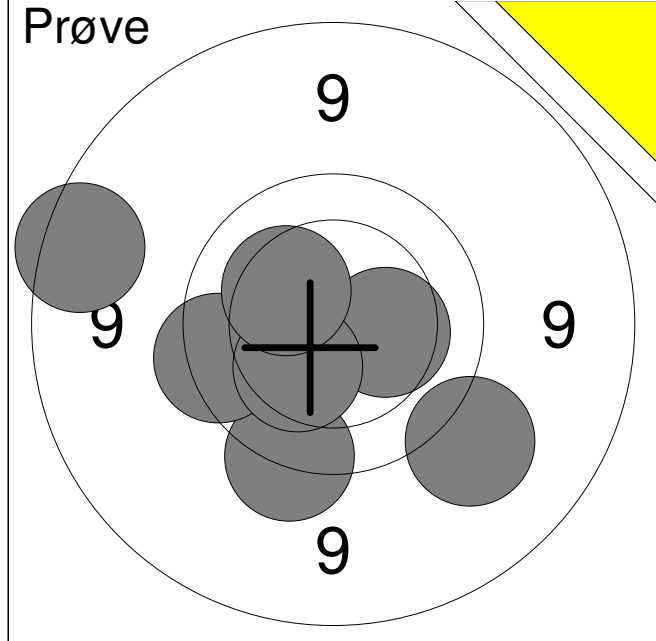
1:	9.3	→
2:	9.2	↗
3:	10.0	↘
4:	10.6	↗
5:	9.7	↗
6:	10.4	↖
7:	9.9	↗
8:	10.3	↗
9:	10.3	↗
10:	10.5	↗
Serie		96.0
Total		0.0



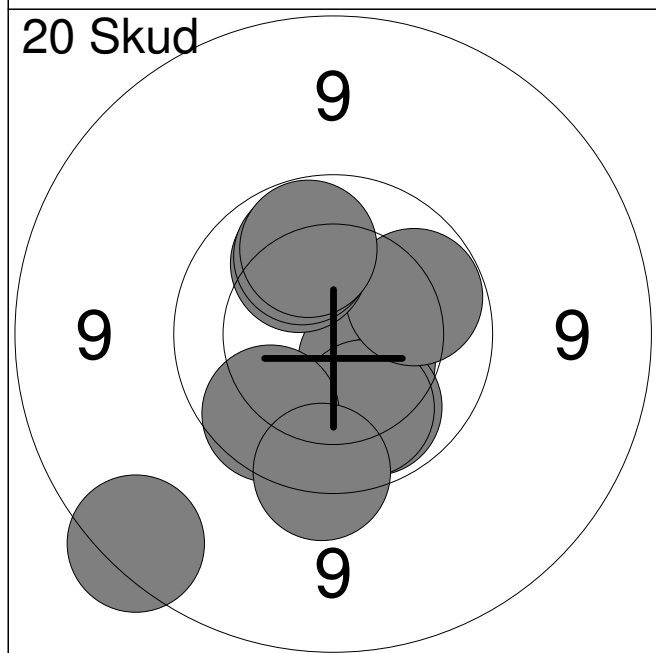
1:	9.6	↘
2:	10.1	→
3:	10.4	↘
4:	10.6x	↘
5:	10.8x	↑
6:	9.2	↖
7:	10.1	←
8:	10.2	←
9:	10.4	↑
10:	10.3	↖
Serie		98.0
Total		98.0



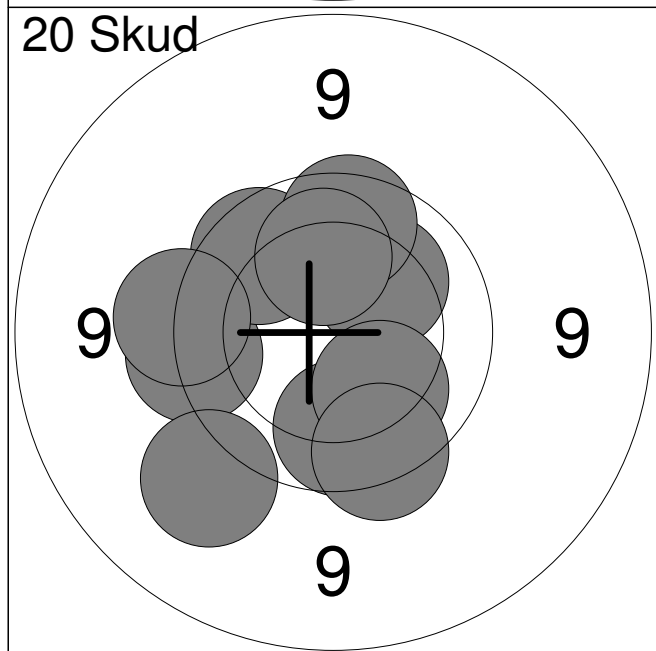
11:	10.6x	↑
12:	10.2	↖
13:	10.6x	↗
14:	10.8x	→
15:	9.7	↖
16:	10.6x	↗
17:	9.7	↑
18:	10.4	↖
19:	10.5	↑
20:	10.8x	↘
Serie		98.0
Total		196.0



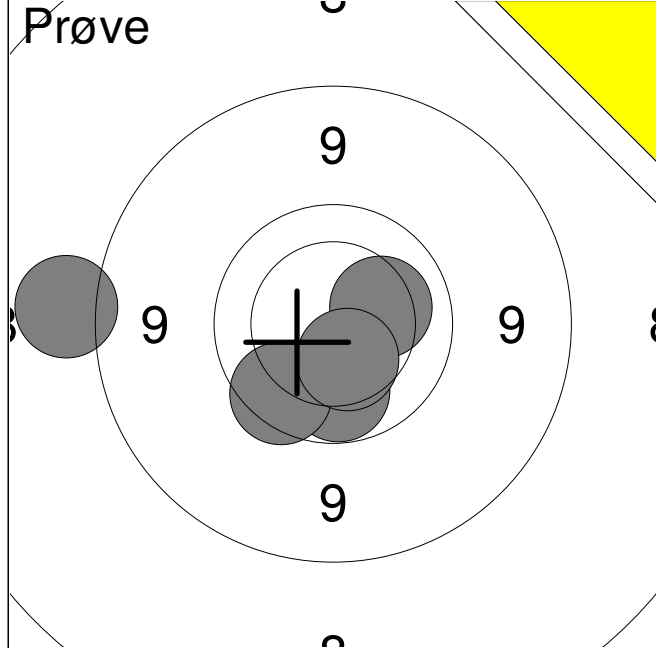
1:	9.6	↘
2:	9.7	←
3:	8.8	↖
4:	10.3	→
5:	9.3	↘
6:	10.3	↘
7:	10.3	↗
Serie		65.0
Total		0.0



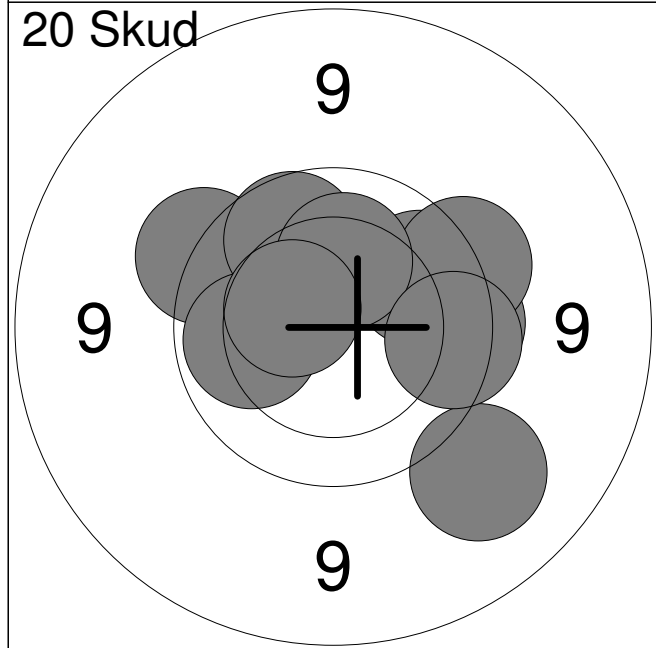
1:	10.5	↘
2:	10.0	↘
3:	10.1	↘
4:	10.0	→
5:	10.1	↗
6:	10.0	↗
7:	9.9	↘
8:	8.8	↘
9:	10.0	↗
10:	9.7	↘
Serie		96.0
Total		96.0



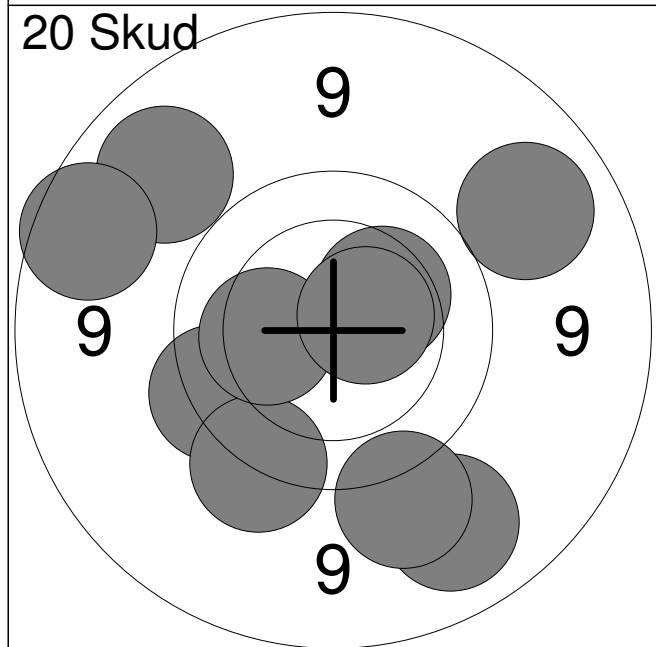
11:	10.2	↗
12:	9.9	↘
13:	9.6	←
14:	9.3	↘
15:	9.9	↗
16:	10.1	↘
17:	9.7	↘
18:	9.8	↗
19:	10.1	↗
20:	9.6	←
Serie		93.0
Total		189.0



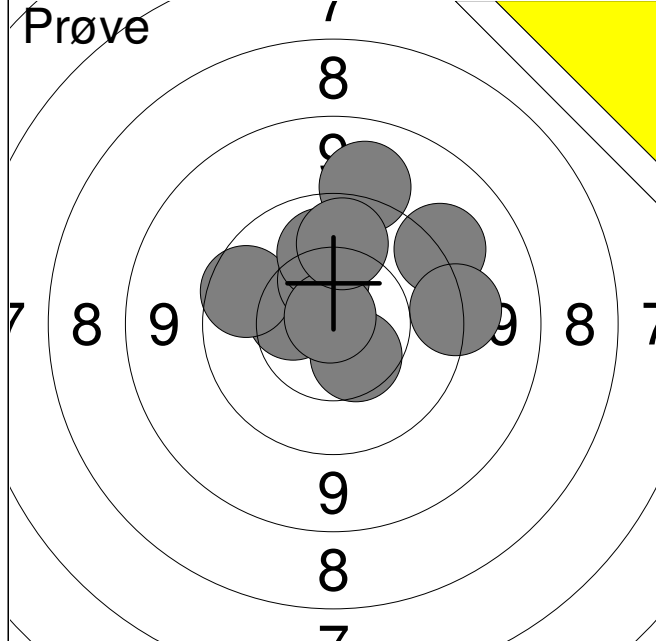
1:	8.5	←
2:	10.0	↓
3:	10.2	→
4:	9.8	↙
5:	10.4	↘
Serie		47.0
Total		0.0



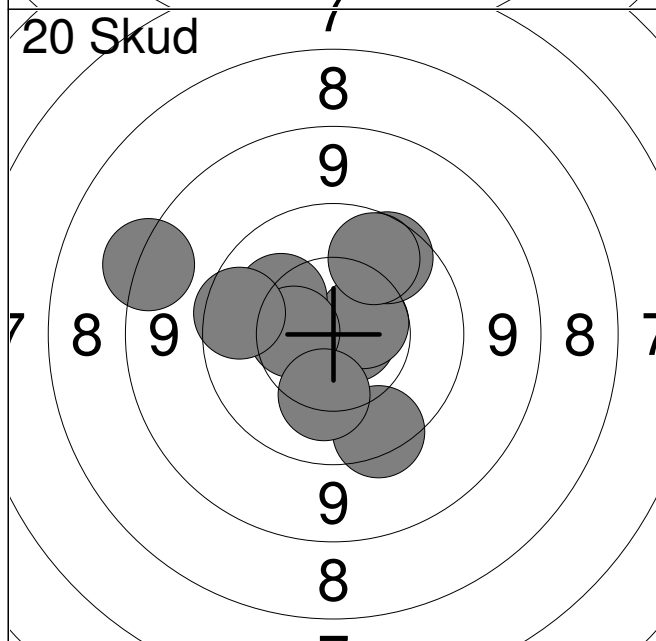
1:	9.6	↖
2:	9.9	↗
3:	9.7	→
4:	9.9	↗
5:	9.6	↗
6:	10.0	←
7:	10.2	↑
8:	9.2	↘
9:	9.8	→
10:	10.5	↖
Serie		93.0
Total		93.0



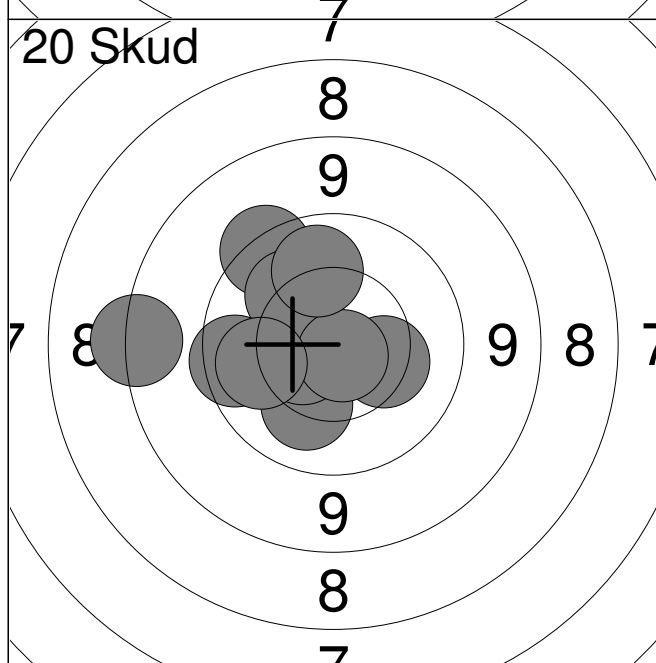
11:	9.1	↘
12:	9.7	←
13:	9.6	↘
14:	9.4	↘
15:	9.1	↗
16:	9.1	↗
17:	8.9	←
18:	10.3	↗
19:	10.2	←
20:	10.6x	↗
Serie		92.0
Total		185.0



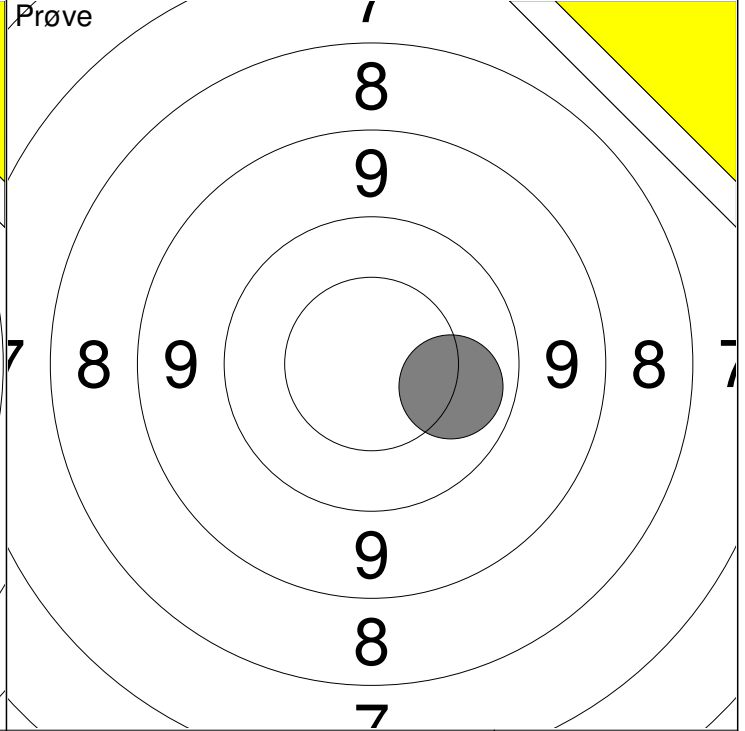
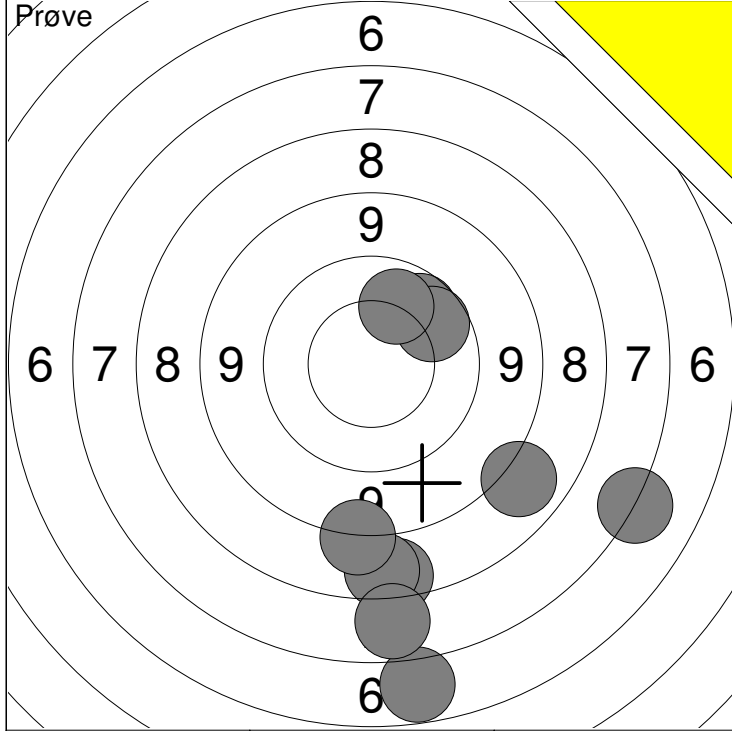
1:	9.2	↑
2:	10.5	←
3:	9.8	←
4:	10.4	↑
5:	9.4	↗
6:	10.1	↑
7:	10.5	↘
8:	10.9x	↗
9:	9.4	→
10:	10.0	↑
Serie		96.0
Total		0.0



1:	10.7x	→
2:	10.6	→
3:	10.2	↗
4:	8.5	←
5:	10.5	←
6:	9.8	↗
7:	9.6	↘
8:	9.8	←
9:	9.9	↗
10:	10.2	↘
Serie		94.0
Total		94.0

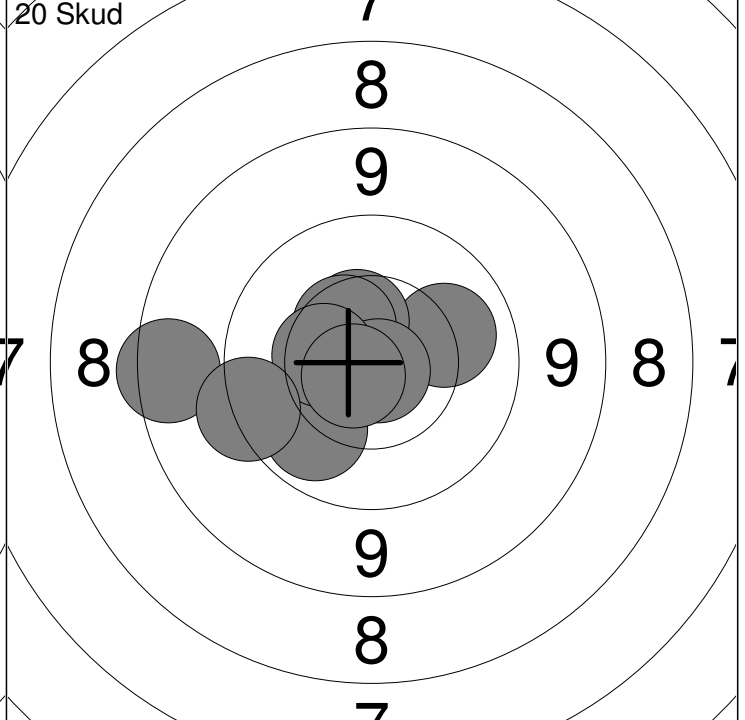
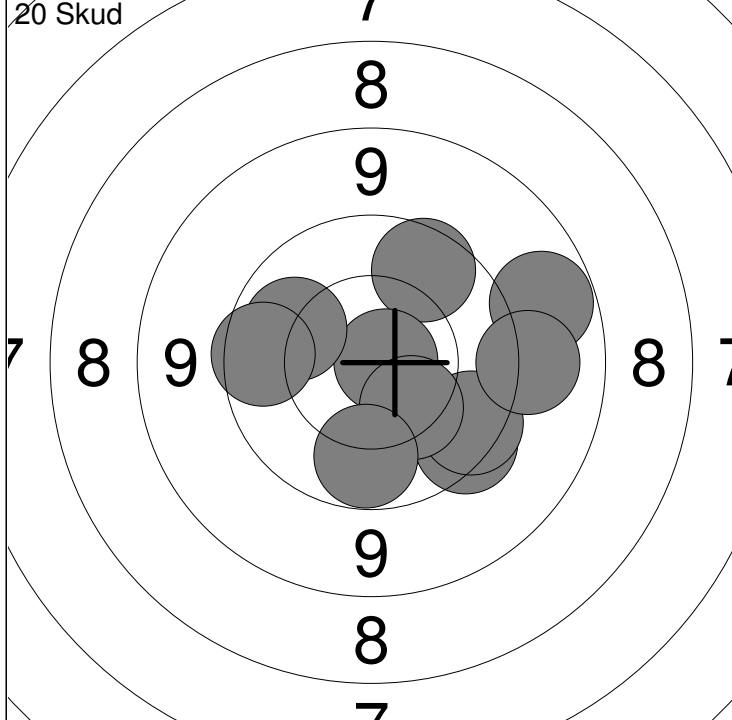


11:	9.6	↗
12:	8.5	←
13:	10.3	→
14:	10.2	↘
15:	10.6	←
16:	10.2	↗
17:	9.8	←
18:	10.8x	↘
19:	10.1	↑
20:	10.1	←
Serie		96.0
Total		190.0



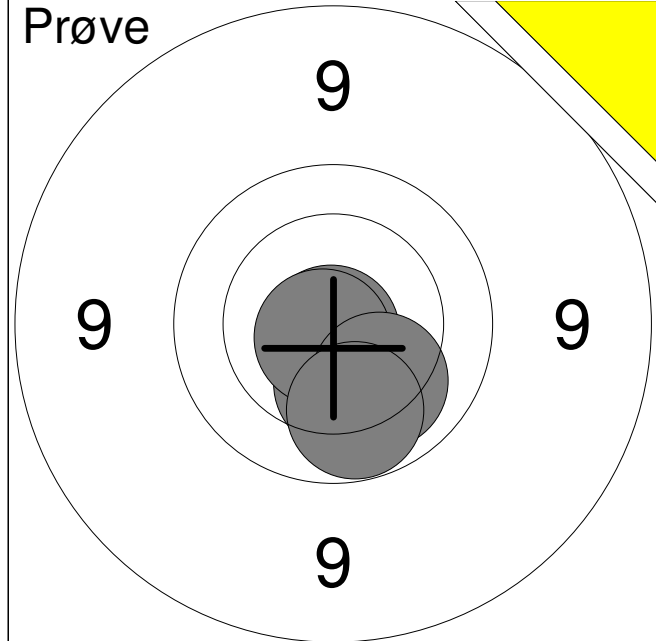
1: 6.3 →	6: 7.0 ↓	Serie 77
2: 7.7 ↓	7: 8.1 →	
3: 7.8 ↓	8: 9.9 ↗	Total 0
4: 6.0 ↓	9: 9.9 ↗	
5: 8.3 ↓	10: 10.0 ↗	

11: 10.1 →	Serie 10
	Total 0

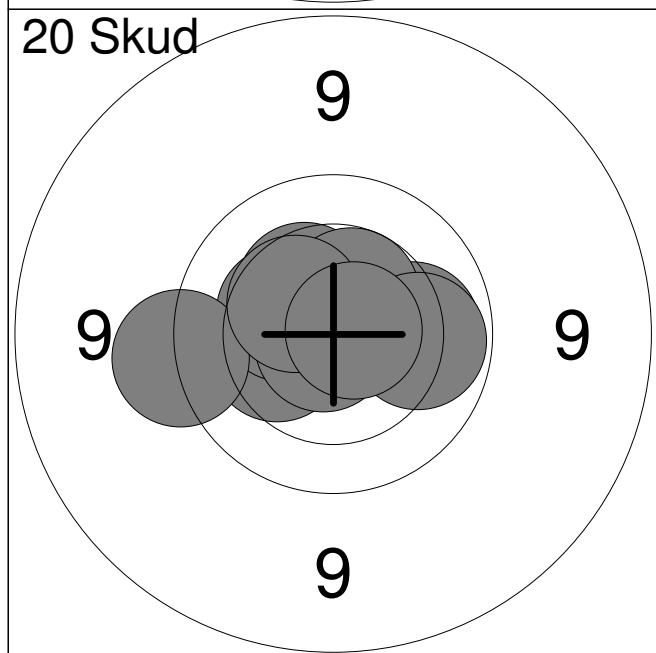


1: 9.8 ↗	6: 9.0 →	Serie 94
2: 9.6 ↓	7: 9.2 →	
3: 10.8x →	8: 10.3 ↓	Total 94
4: 9.7 ↓	9: 9.8 ←	
5: 10.1 ↖	10: 10.0 ↓	

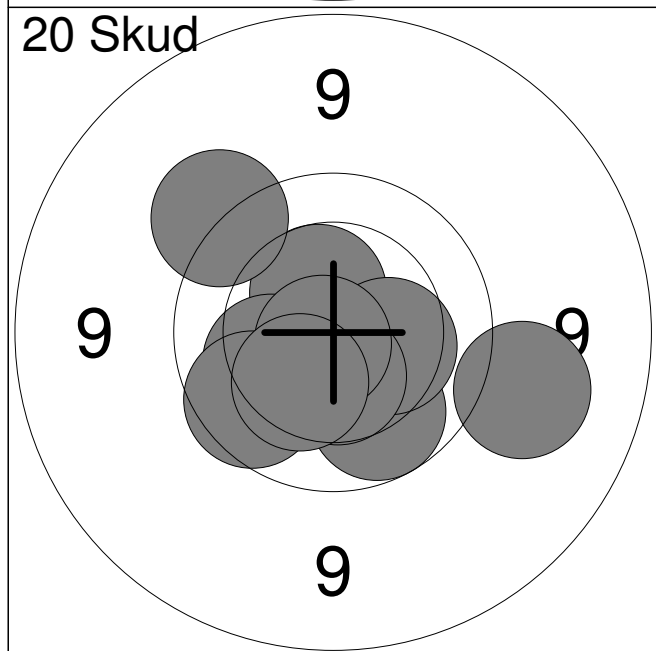
11: 10.7x ↖	16: 10.8x ↓	Serie 97
12: 10.1 →	17: 10.4 ←	
13: 10.5 ↗	18: 8.7 ←	Total 191
14: 10.0 ↙	19: 9.5 ←	
15: 10.5 ↖	20: 10.7x ↙	



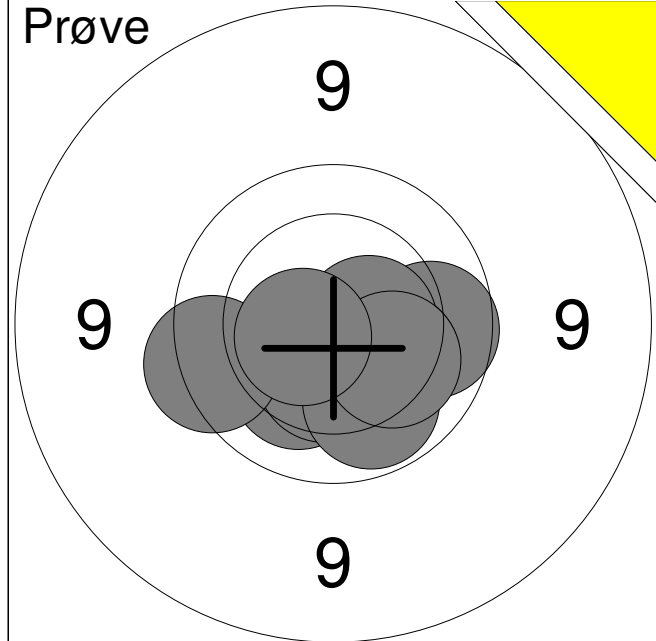
1:	10.3	↓
2:	10.8x	↓
3:	10.8x	↙
4:	10.1	↘
5:	10.0	↓
Serie		50.0
Total		0.0



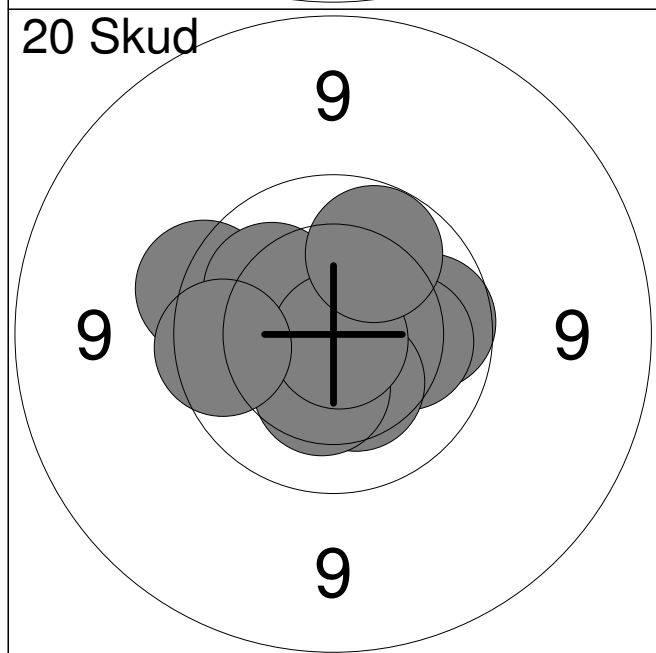
1:	10.3	←
2:	10.4	↗
3:	10.4	↖
4:	10.8x	↙
5:	10.1	→
6:	9.5	←
7:	10.5	↗
8:	10.0	→
9:	10.4	↗
10:	10.7x	→
Serie		99.0
Total		99.0



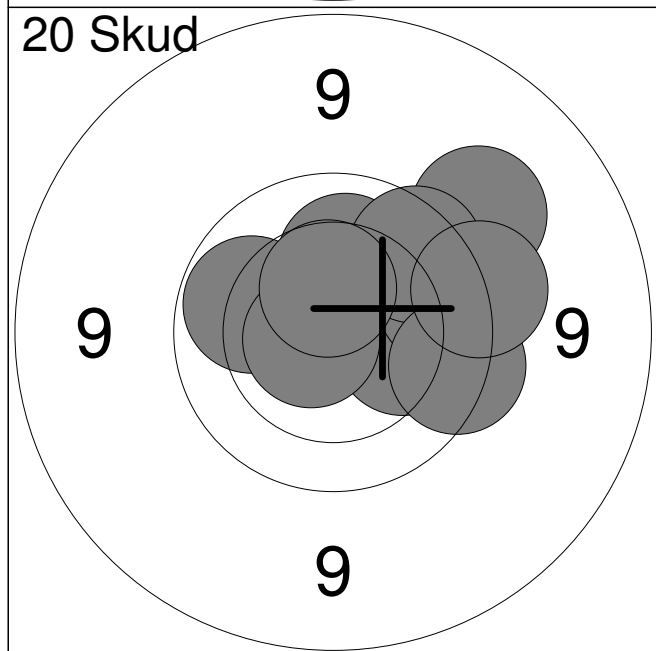
11:	10.5	↗
12:	10.0	↓
13:	10.2	←
14:	9.9	↙
15:	10.3	→
16:	9.5	↗
17:	10.5	↓
18:	10.8x	↙
19:	10.3	↙
20:	9.3	→
Serie		97.0
Total		196.0



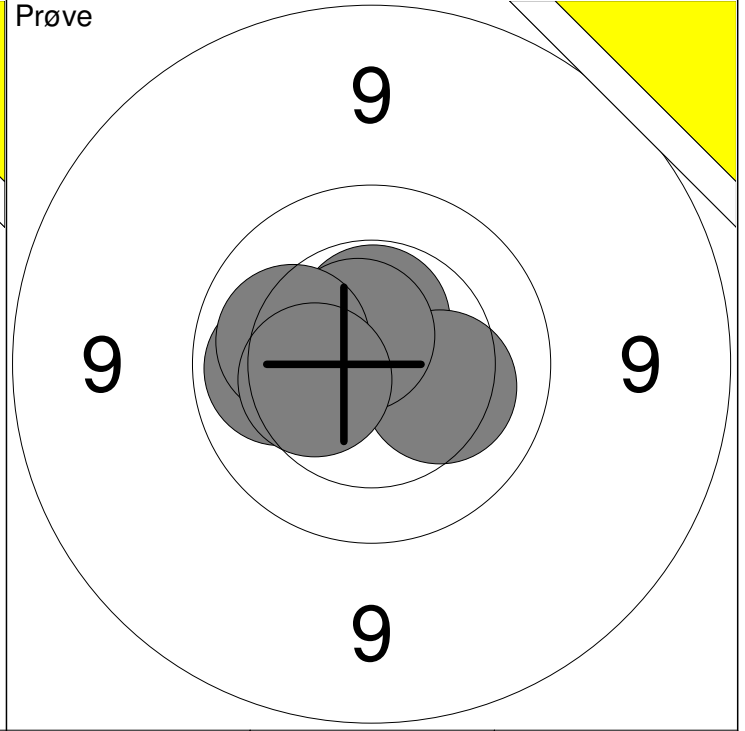
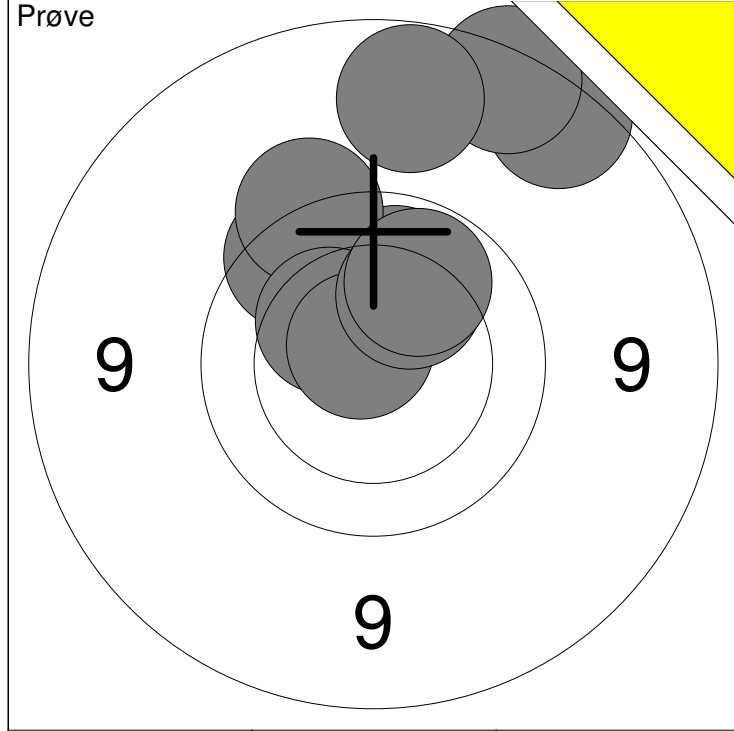
1:	9.9	→
2:	10.2	↓
3:	10.2	↘
4:	10.4	↓
5:	9.7	←
6:	10.6x	→
7:	10.0	↓
8:	10.2	↘
9:	10.6x	←
Serie		88.0
Total		0.0



1:	9.7	←
2:	9.9	→
3:	10.2	→
4:	10.4	↓
5:	10.0	←
6:	10.1	↗
7:	10.4	↓
8:	10.9x	↓
9:	9.8	←
10:	10.0	↑
Serie		97.0
Total		97.0

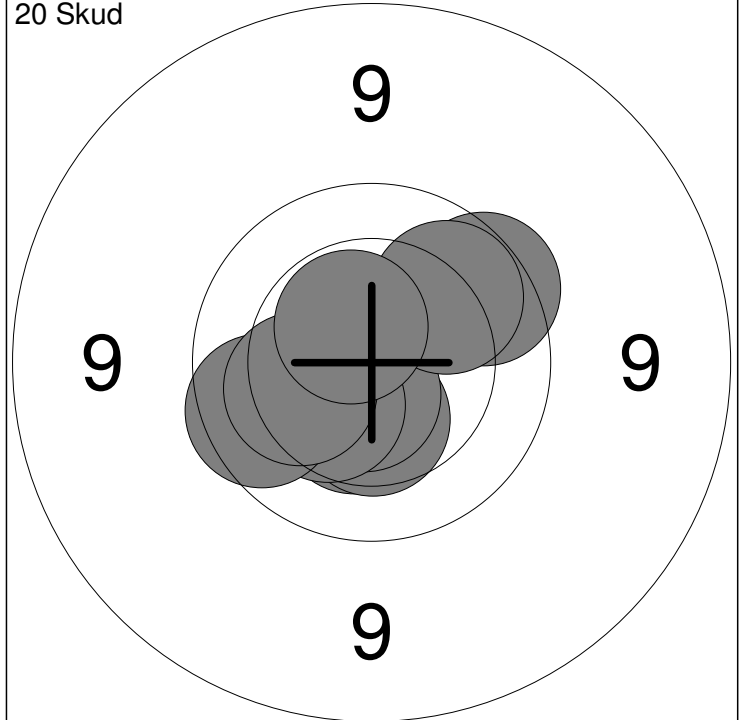
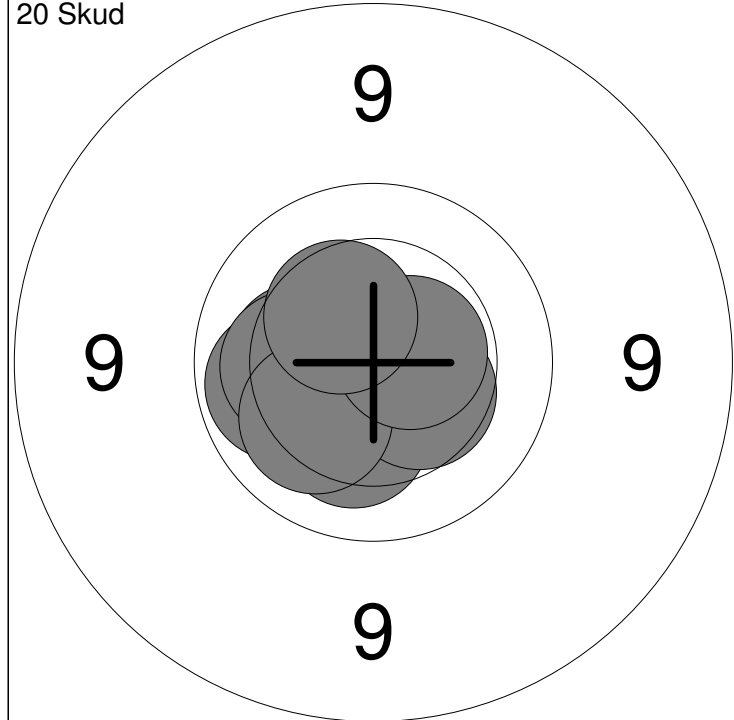


11:	10.2	→
12:	10.0	←
13:	9.8	→
14:	9.3	↗
15:	10.2	↑
16:	9.8	↗
17:	10.7x	←
18:	9.7	→
19:	10.5	↑
20:	9.6	→
Serie		95.0
Total		192.0



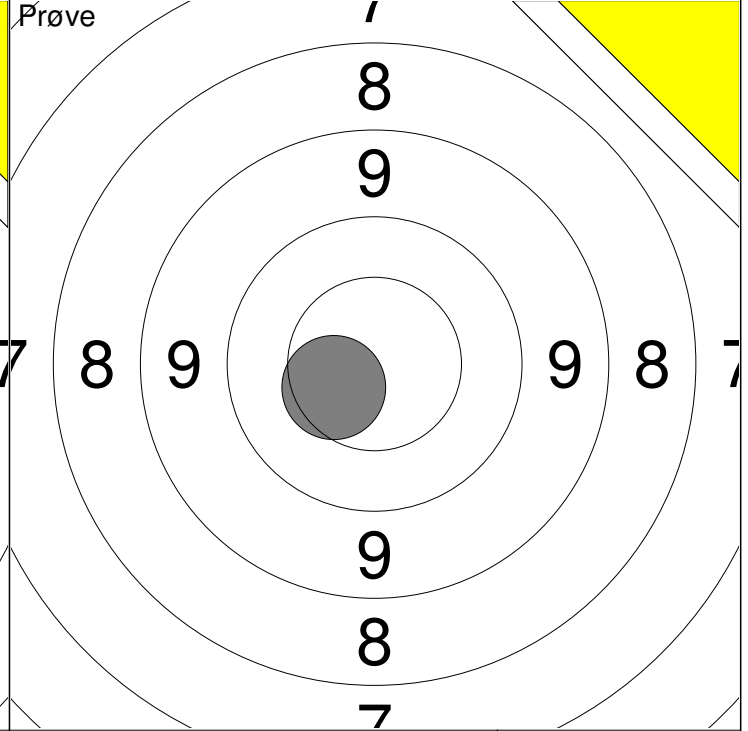
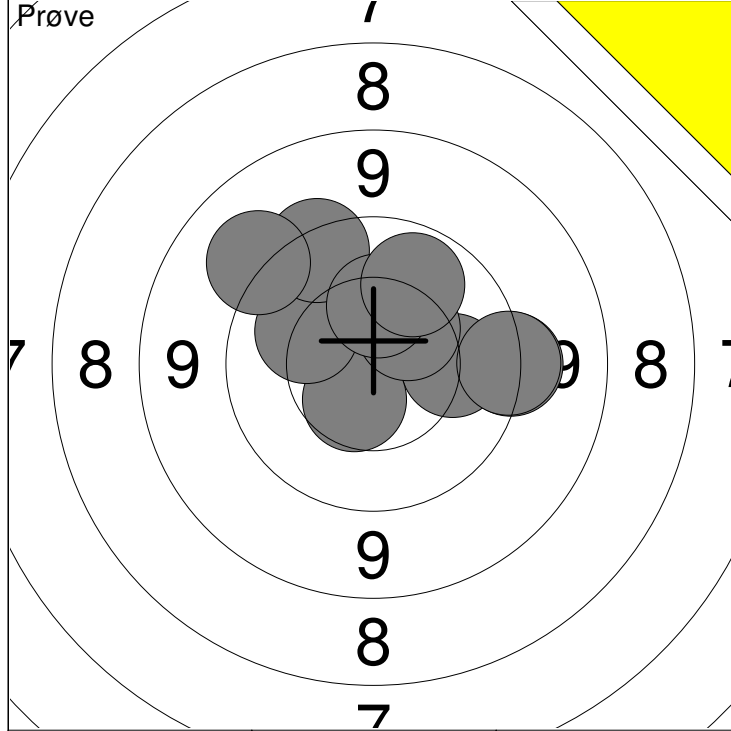
1: 8.8 ↗	6: 9.6 ↗	Serie	93
2: 8.8 ↗	7: 10.3 ↘		
3: 9.0 ↗	8: 10.7x ↘	Total	0
4: 9.8 ↘	9: 10.2 ↗		
5: 10.1 ↗	10: 10.0 ↗		

11: 10.5x ↗	16: 10.4 ←	Serie	60
12: 10.2 →			
13: 10.6x ↗		Total	0
14: 10.1 ←			
15: 10.2 ←			



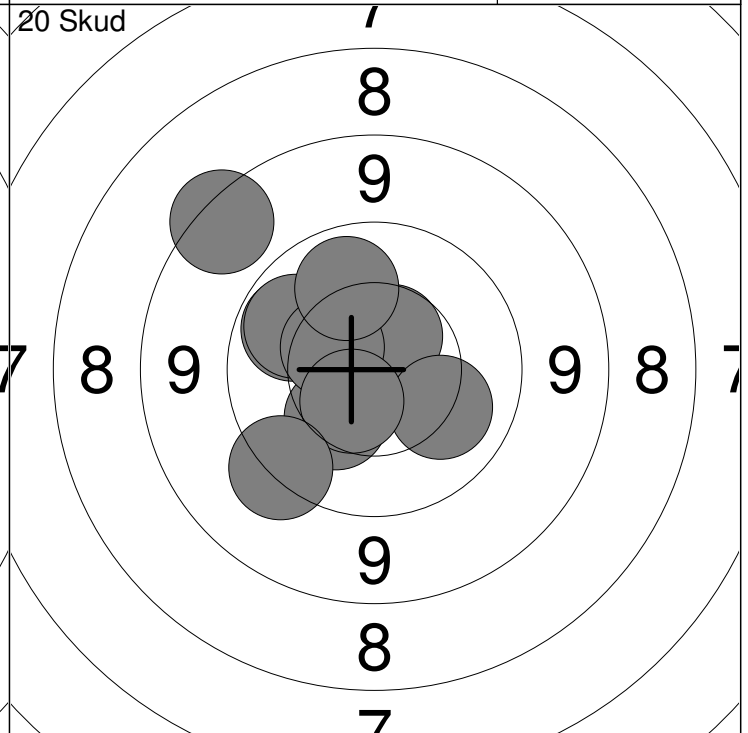
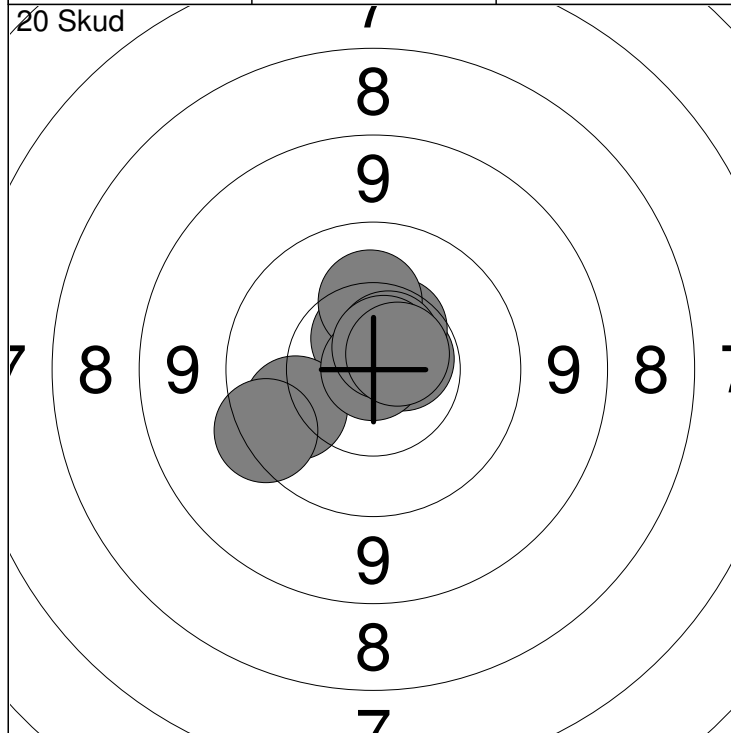
1: 10.8x ↘	6: 10.4 ↘	Serie	100
2: 10.8x ←	7: 10.2 ←		
3: 10.0 ←	8: 10.2 ↘	Total	100
4: 10.3 ↓	9: 10.6x →		
5: 10.3 ←	10: 10.4 ↗		

11: 10.5x ←	16: 10.3 ↘	Serie	98
12: 10.4 ↓	17: 10.0 ↗		
13: 10.4 ↓	18: 9.9 ←	Total	198
14: 10.6x ↓	19: 10.2 ←		
15: 9.8 ↗	20: 10.5x ↗		



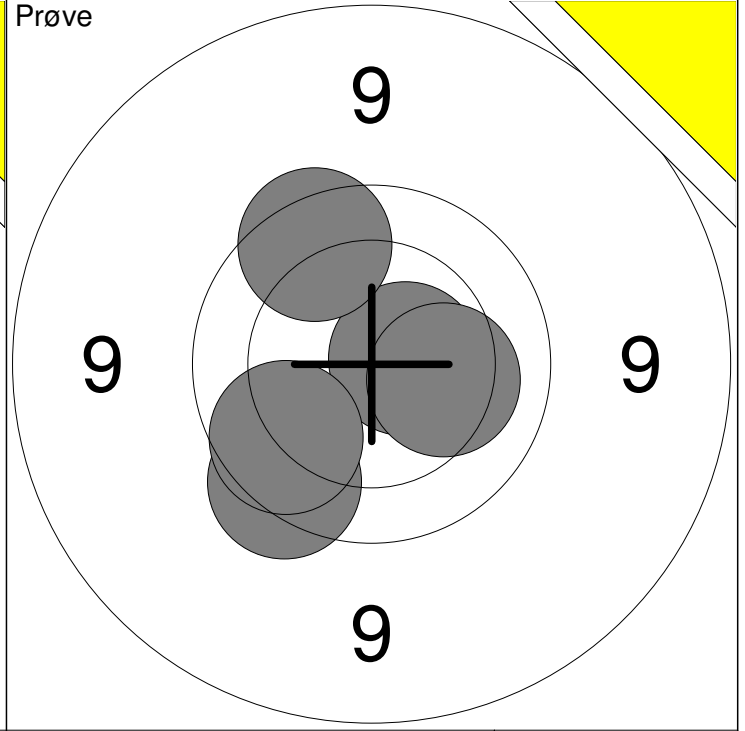
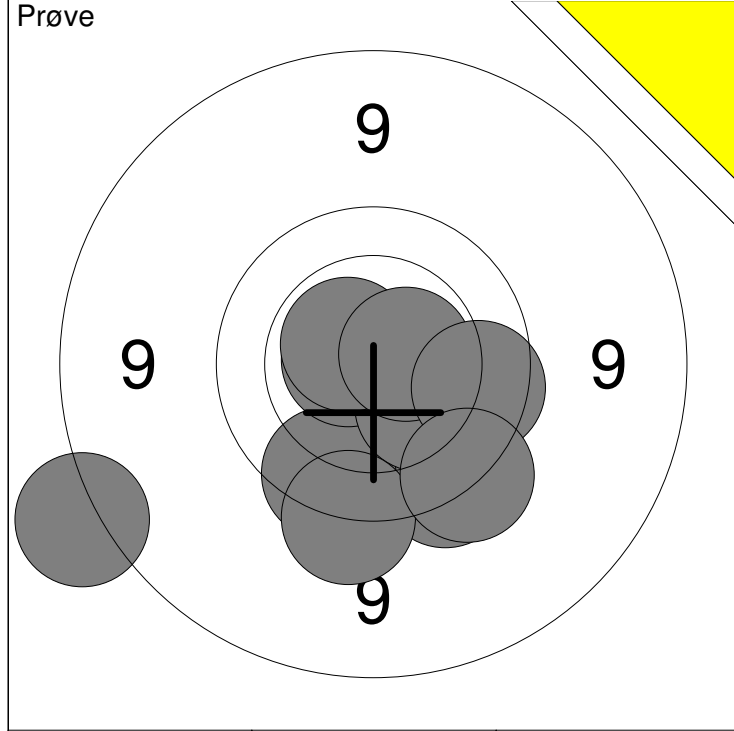
1: 9.5 →	6: 10.2 ↙	Serie	96
2: 10.1 →	7: 9.6 ↗		
3: 9.5 →	8: 10.3 ↑	Total	0
4: 10.5 ↘	9: 10.0 ↗		
5: 10.4 ↗	10: 9.3 ↙		

11: 10.5 ↙		Serie	10
		Total	0



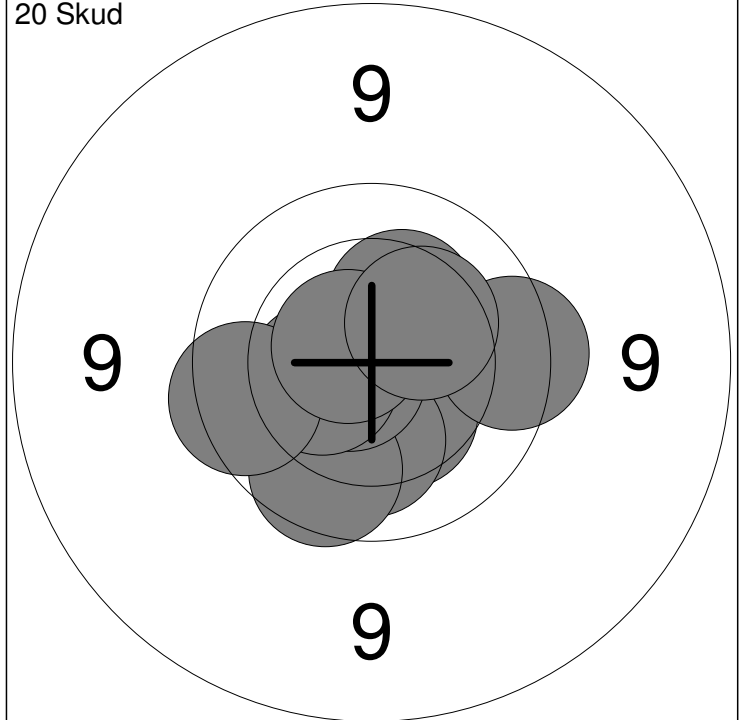
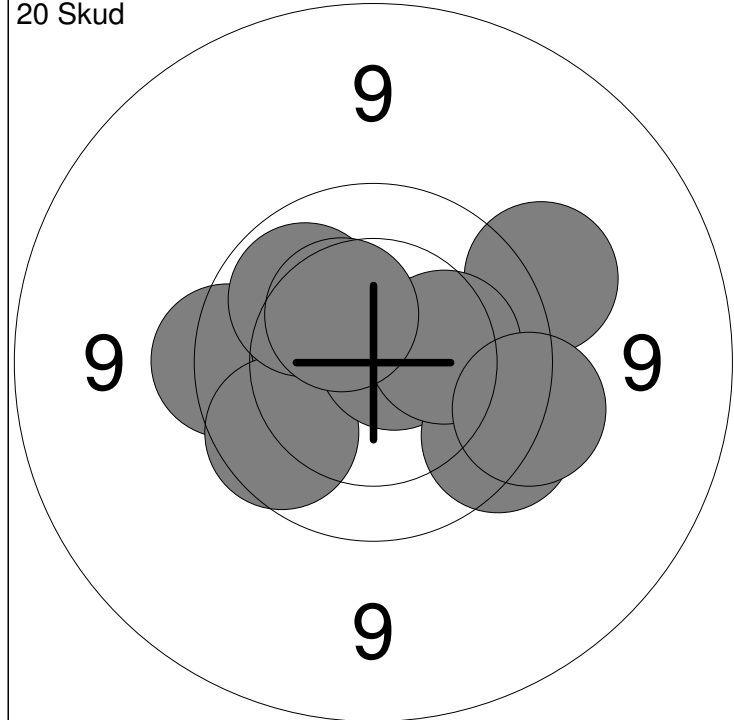
1: 10.6x ↗	6: 9.6 ↙	Serie	99
2: 10.6x →	7: 10.6x ↗		
3: 10.5 ↗	8: 10.9x ↙	Total	99
4: 10.0 ↙	9: 10.7x ↗		
5: 10.2 ↑	10: 10.6x ↗		

11: 10.0 ↙	16: 10.5 ↙	Serie	97
12: 10.6 ↗	17: 10.2 ↘		
13: 8.6 ↙	18: 10.1 ↗	Total	196
14: 10.0 ↙	19: 10.5 ↘		
15: 10.3 ↘	20: 9.5 ↘		



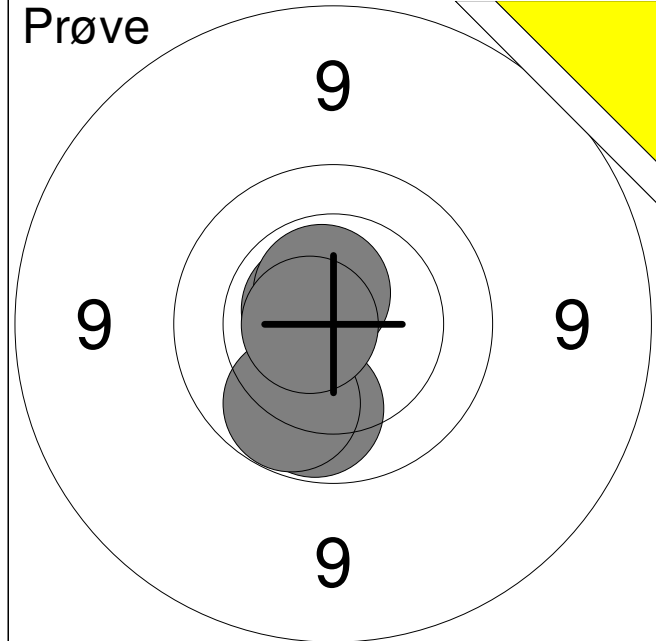
1: 8.6 ↙	6: 10.6x ↗	Serie	93
2: 9.6 ↓	7: 10.6x →		
3: 9.8 ↓	8: 9.8 →	Total	0
4: 10.7x ←	9: 9.5 ↓		
5: 10.2 ↓	10: 9.6 ↓		

11: 10.6x →	Serie	47
12: 9.7 ↓		
13: 10.2 →	Total	0
14: 9.9 ↙		
15: 9.8 ↗		

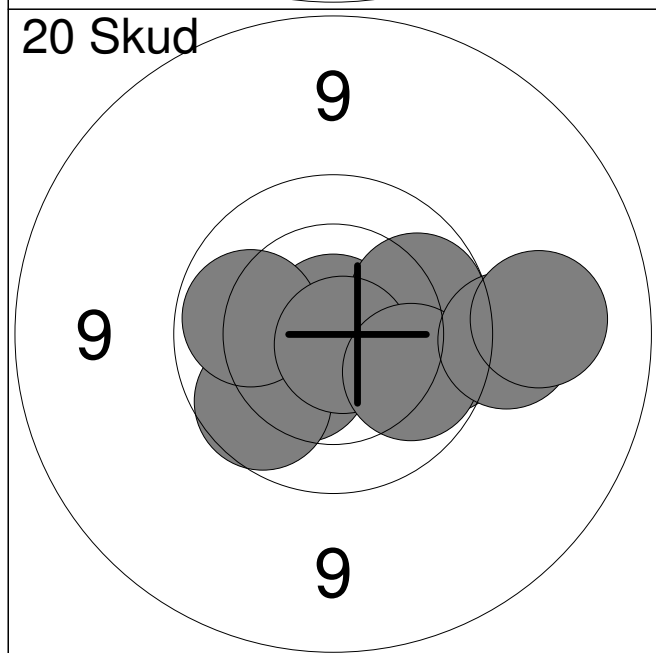


1: 9.5 →	6: 10.0 ↗	Serie	95
2: 9.7 ←	7: 9.7 ↓		
3: 10.5 ↙	8: 10.2 →	Total	95
4: 9.9 ↙	9: 9.6 →		
5: 10.7x →	10: 10.4 ↗		

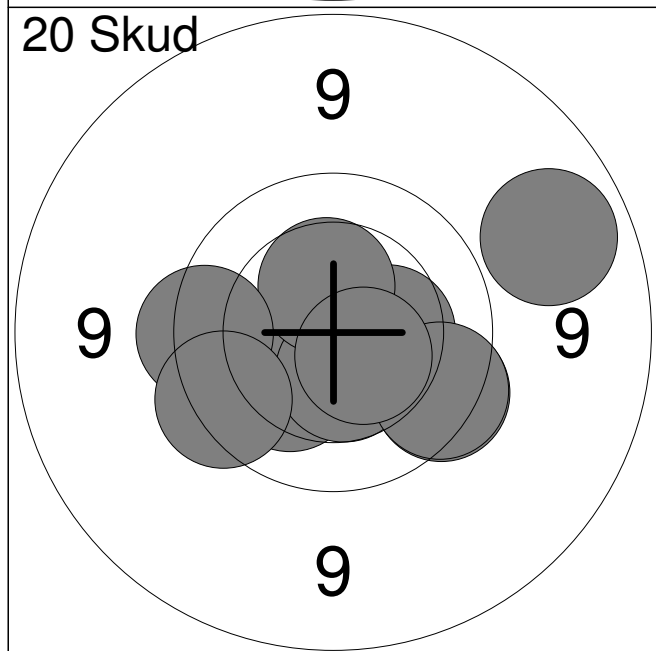
11: 10.3 ↗	16: 10.7x ↙	Serie	97
12: 10.4 ↓	17: 10.4 ↙		
13: 10.2 ↓	18: 9.8 ←	Total	192
14: 9.9 ↓	19: 10.7x ↙		
15: 9.7 →	20: 10.3 ↗		



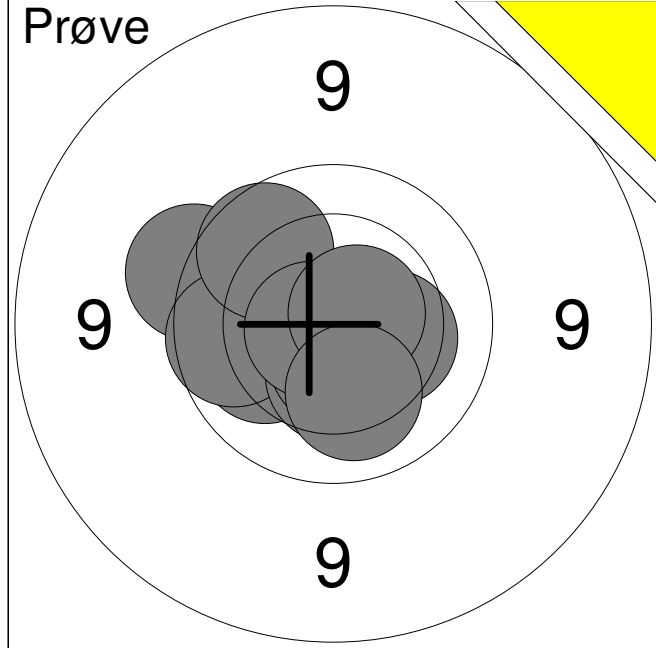
1:	10.0	↓
2:	10.6x	↖
3:	10.6x	↑
4:	10.0	↓
5:	10.7x	←
Serie		50.0
Total		0.0



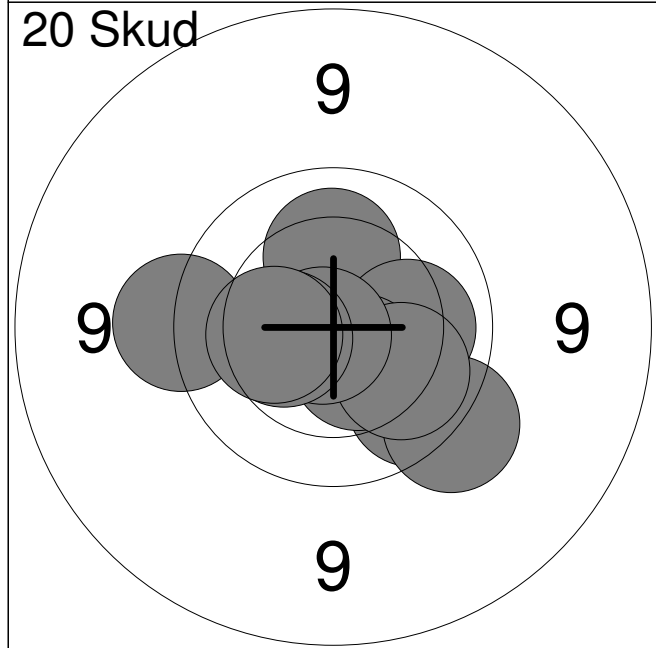
1:	10.4	↙
2:	9.8	→
3:	10.8x	↑
4:	10.0	↗
5:	9.9	↘
6:	10.0	←
7:	10.8x	↙
8:	10.0	↘
9:	9.4	→
10:	9.2	→
Serie		96.0
Total		96.0



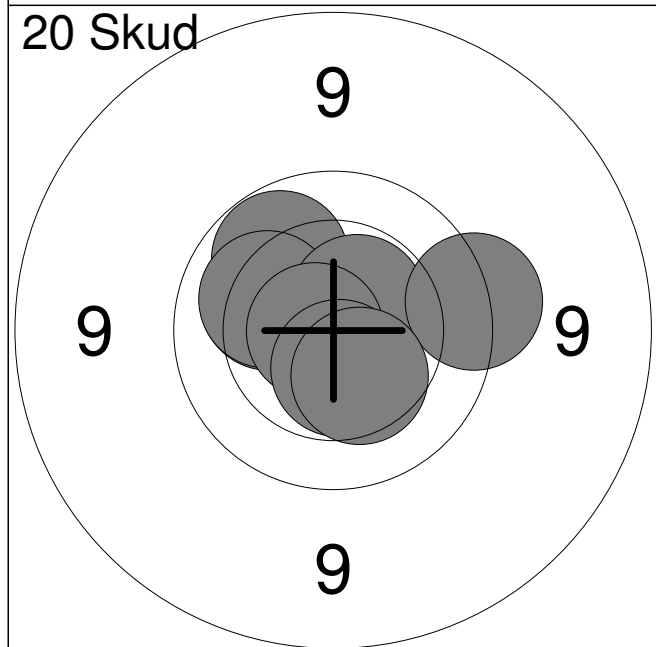
11:	10.4	→
12:	10.2	↙
13:	9.7	↘
14:	10.5	↘
15:	10.4	↑
16:	9.8	↘
17:	9.7	←
18:	9.7	↙
19:	10.5x	↘
20:	9.0	↗
Serie		95.0
Total		191.0



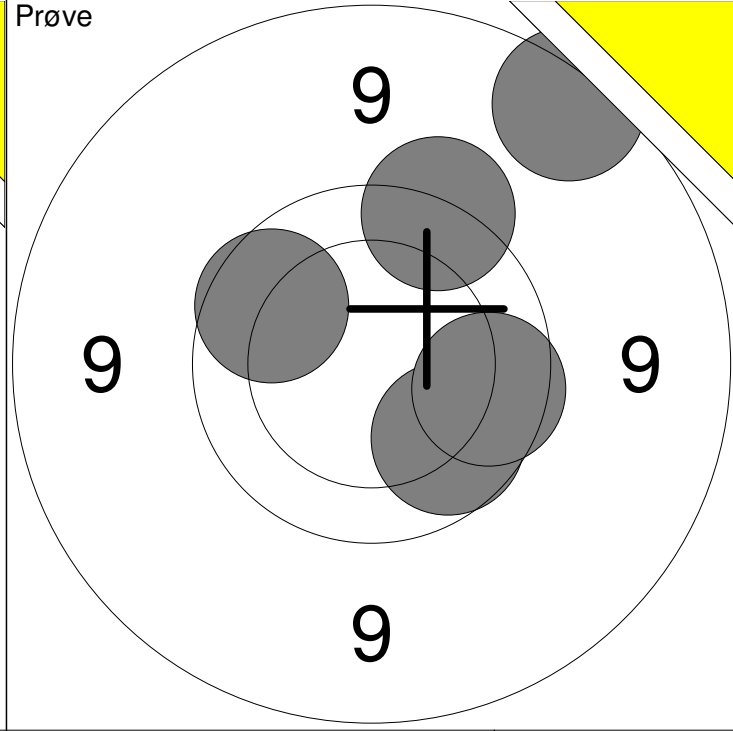
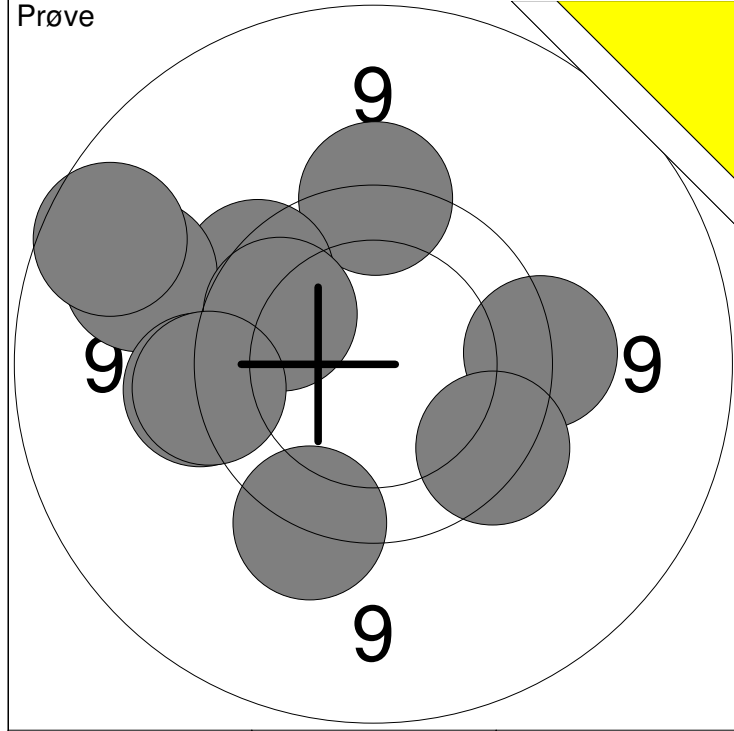
1:	9.6	↖
2:	10.1	↖
3:	9.9	↖
4:	10.3	→
5:	9.9	↗
6:	10.4	↓
7:	10.5x	↓
8:	10.7x	↖
9:	10.7x	↗
10:	10.2	↓
Serie		97.0
Total		0.0



1:	9.8	↘
2:	9.6	↘
3:	10.2	↑
4:	10.1	→
5:	10.5	↘
6:	10.1	↘
7:	10.8x	↖
8:	9.6	↖
9:	10.4	↖
10:	10.3	↖
Serie		97.0
Total		97.0

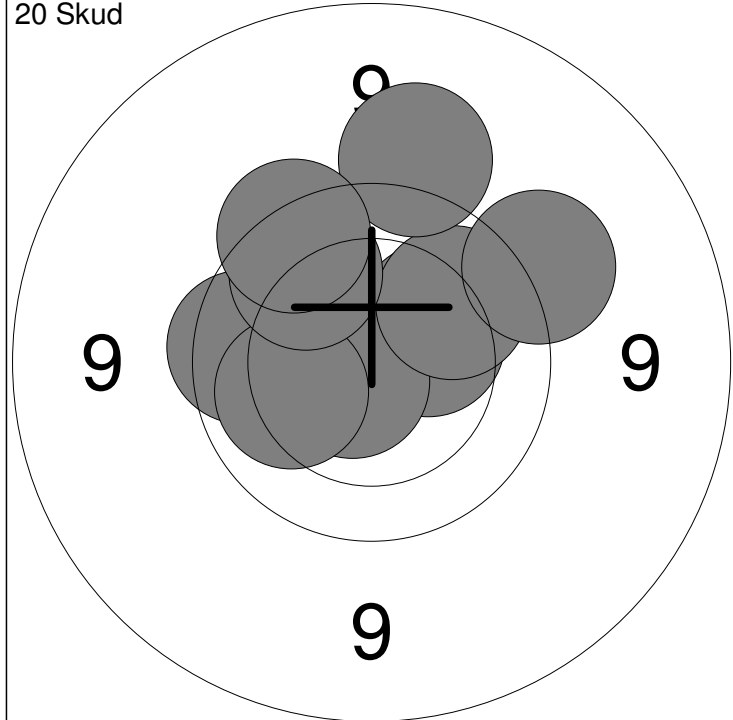
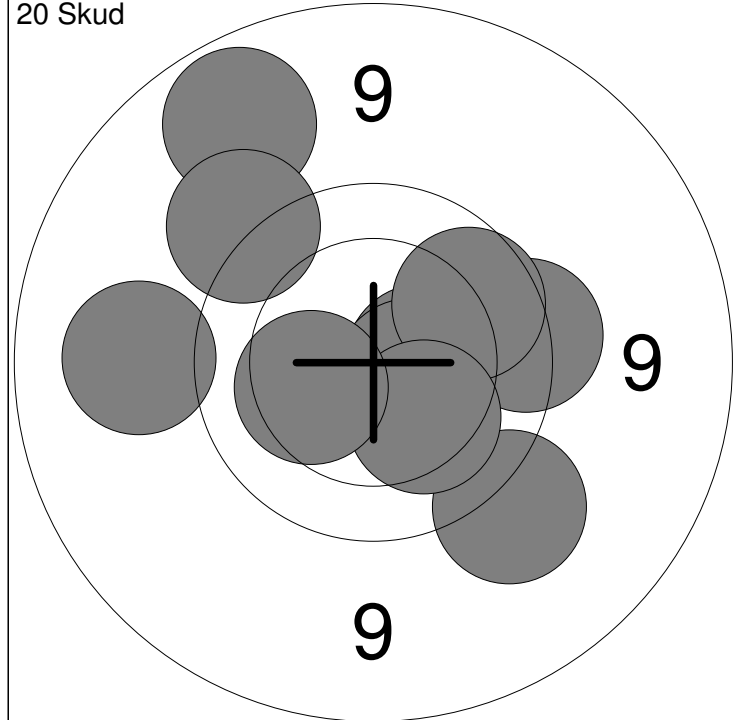


11:	10.0	↗
12:	10.9x	↗
13:	10.7x	→
14:	10.2	↖
15:	10.1	↖
16:	10.6x	↗
17:	9.6	→
18:	10.7x	↖
19:	10.5x	↓
20:	10.4	↓
Serie		99.0
Total		196.0



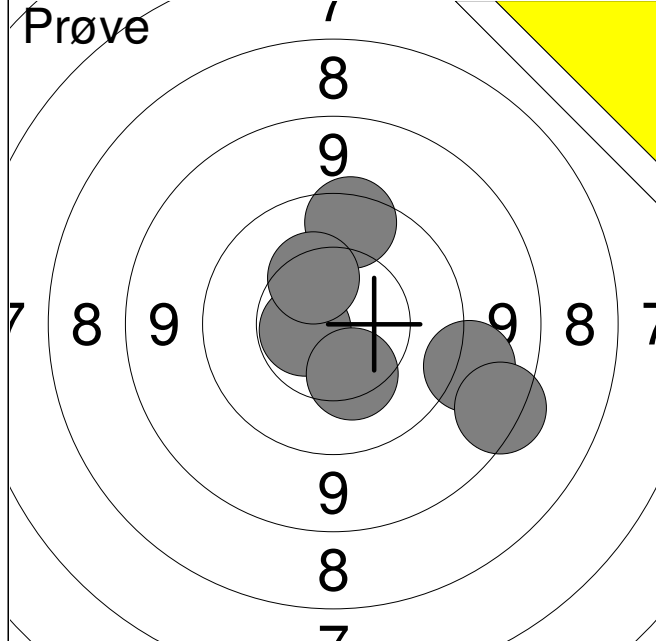
1: 9.6 ↘	6: 9.9 ↙	Serie	89
2: 9.6 ↑	7: 9.5 ←		
3: 9.7 ↗	8: 9.6 ←	Total	0
4: 9.1 ↗	9: 9.6 →		
5: 8.9 ↗	10: 9.7 ↘		

11: 8.8 ↗	Serie	44
12: 9.6 ↑		
13: 9.9 ↘	Total	0
14: 9.9 ↗		
15: 9.9 →		

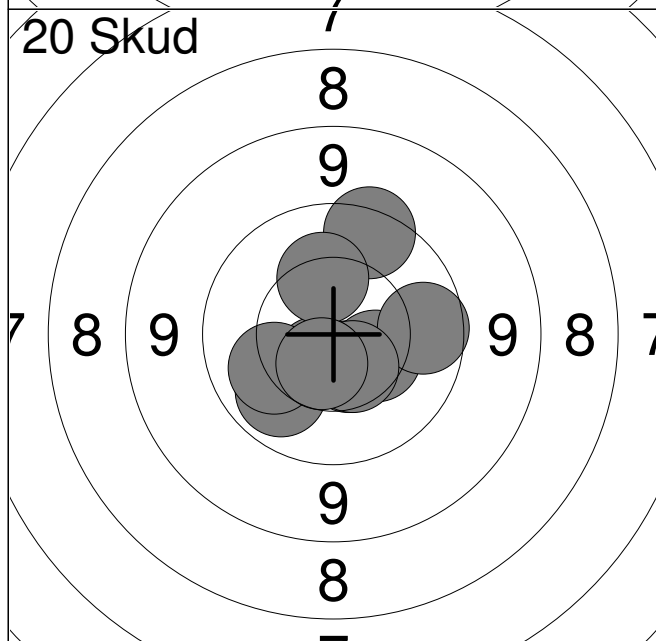


1: 9.0 ↗	6: 9.9 ↗	Serie	94
2: 10.5 →	7: 10.2 ↘		
3: 9.4 ↘	8: 10.3 ←	Total	94
4: 10.6x →	9: 9.2 ←		
5: 9.7 →	10: 9.5 ↗		

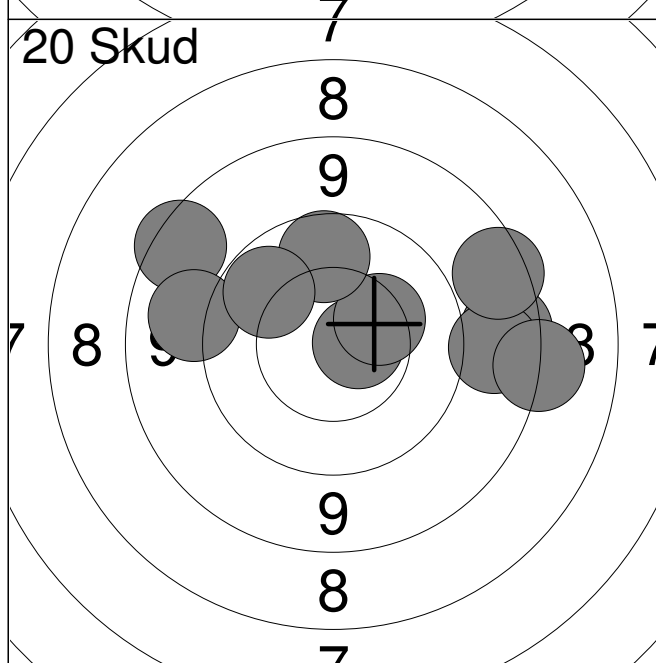
11: 9.8 ←	16: 10.0 ↗	Serie	95
12: 10.2 ↗	17: 9.4 ↑		
13: 10.4 →	18: 9.9 ↗	Total	189
14: 10.7x ↘	19: 9.7 ↗		
15: 10.1 ←	20: 9.4 ↗		



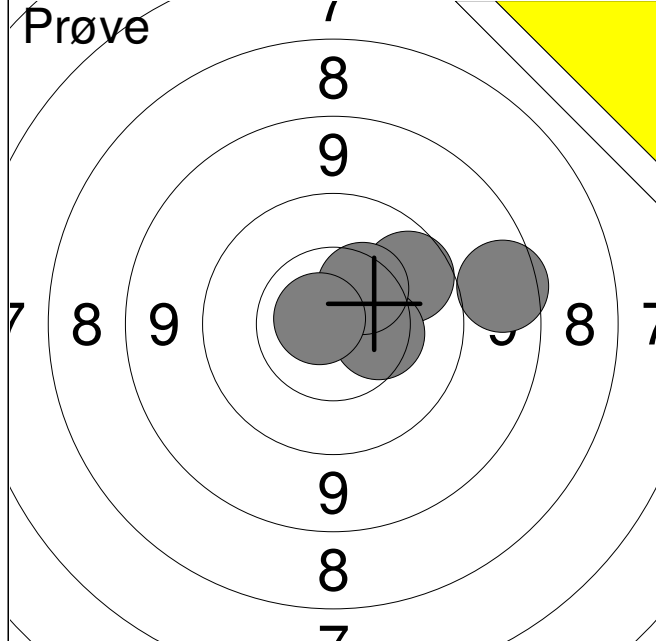
1:	10.6x	←
2:	9.7	↑
3:	9.2	→
4:	8.6	↘
5:	10.3	↙
6:	10.4	↗
Serie		56.0
Total		0.0



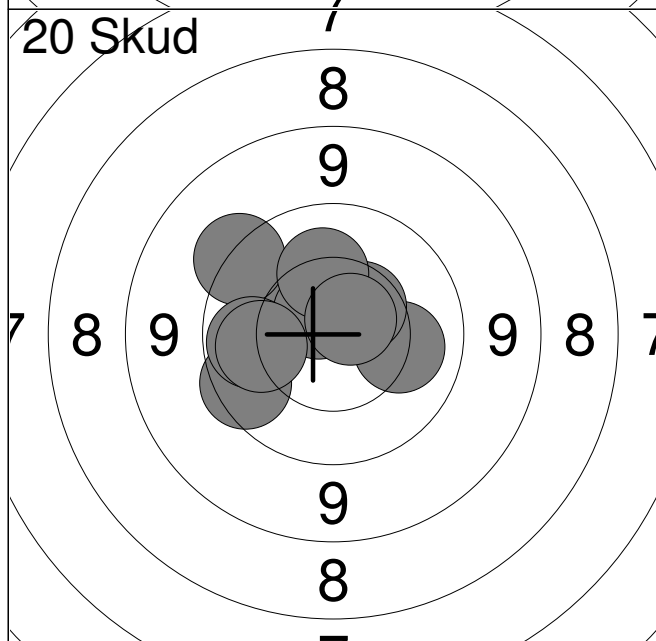
1:	10.5	↙
2:	10.4	↘
3:	10.0	↙
4:	9.9	→
5:	10.5	↙
6:	9.7	↑
7:	10.6	↙
8:	10.1	←
9:	10.3	↑
10:	10.6	↙
Serie		98.0
Total		98.0



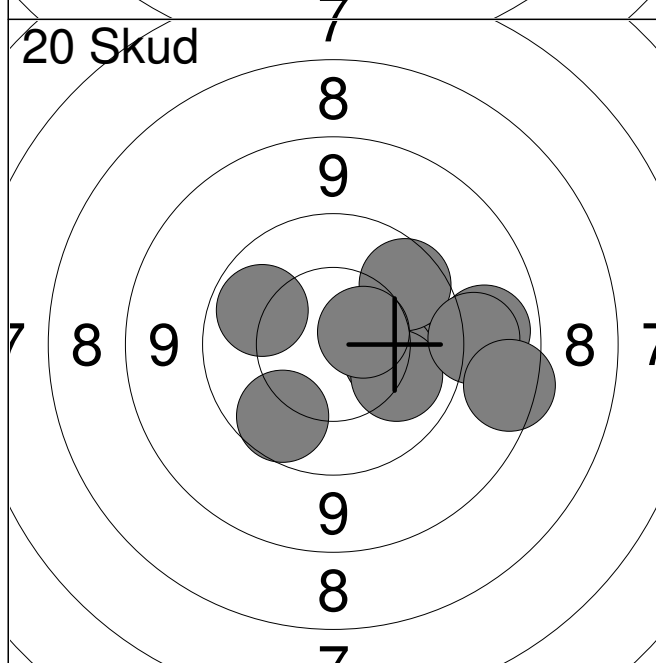
11:	10.7x	→
12:	8.8	→
13:	10.3	↗
14:	9.9	↑
15:	9.0	→
16:	8.7	↗
17:	9.2	←
18:	10.0	↗
19:	8.4	→
20:	8.7	↗
Serie		89.0
Total		187.0



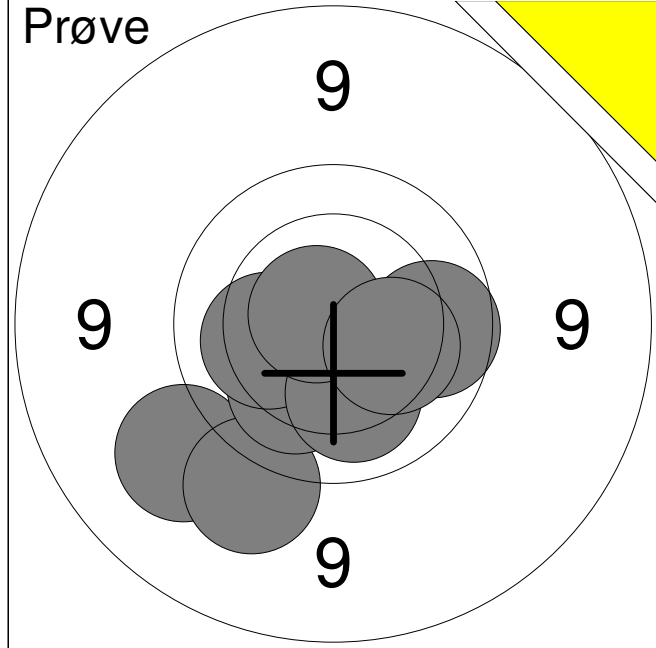
1:	9.9	↗
2:	8.8	→
3:	10.4	→
4:	10.4	↗
5:	10.8x	←
Serie		47.0
Total		0.0



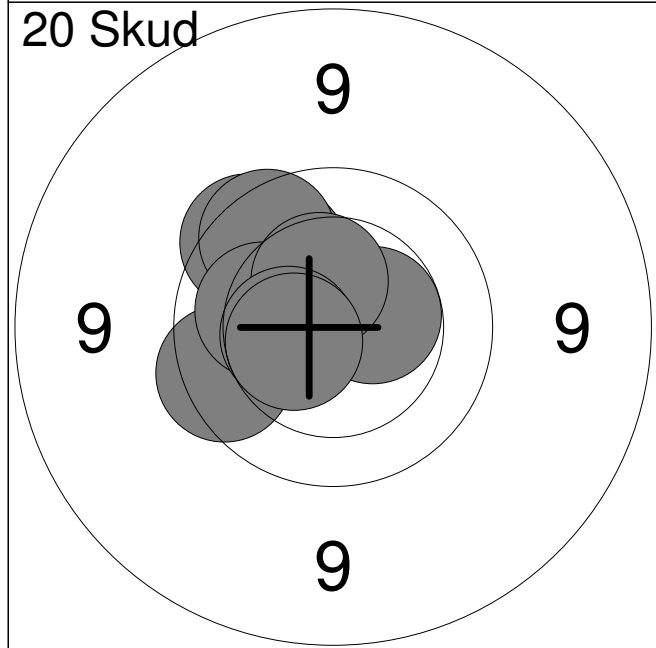
1:	10.2	↖
2:	9.7	←
3:	10.2	→
4:	9.5	↗
5:	10.5	↗
6:	10.6x	↗
7:	10.2	↑
8:	10.0	←
9:	10.7x	↗
10:	10.1	←
Serie		98.0
Total		98.0



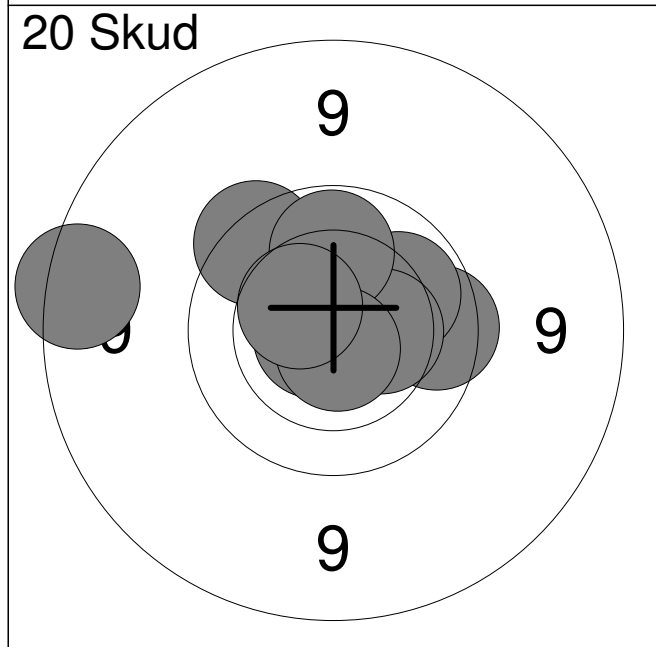
11:	9.9	↘
12:	10.2	→
13:	10.0	↖
14:	10.3	→
15:	10.1	↘
16:	9.8	↗
17:	10.6	→
18:	9.1	→
19:	9.2	→
20:	8.7	→
Serie		94.0
Total		192.0



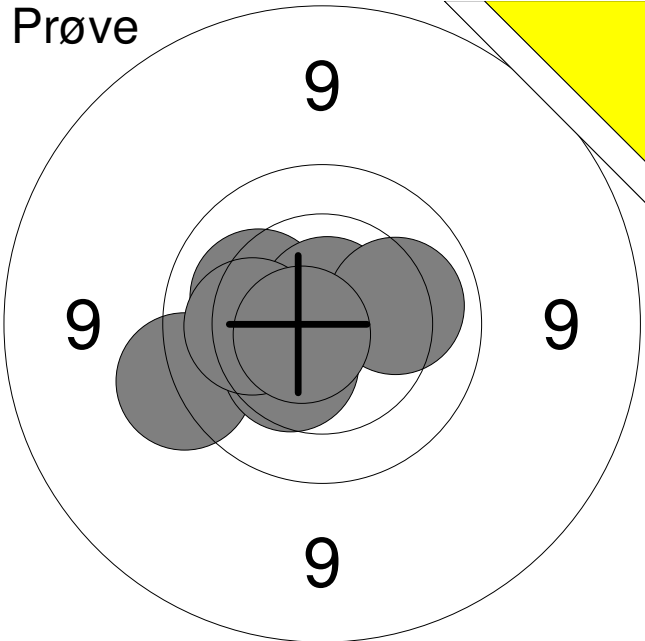
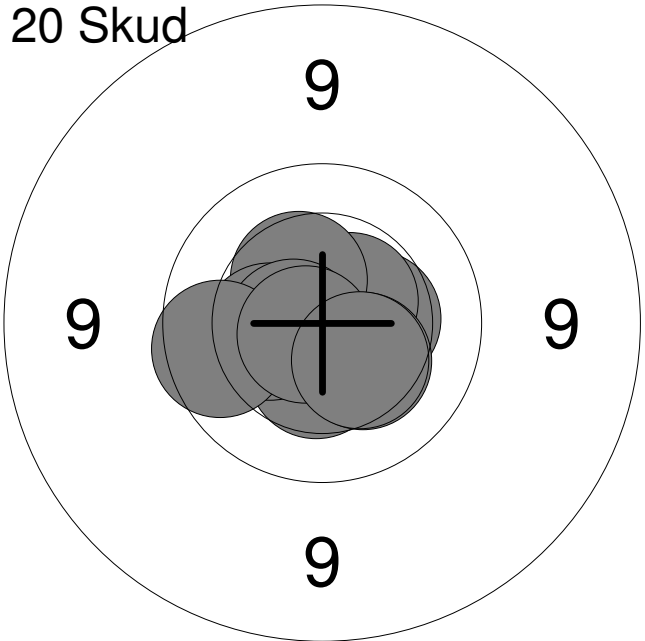
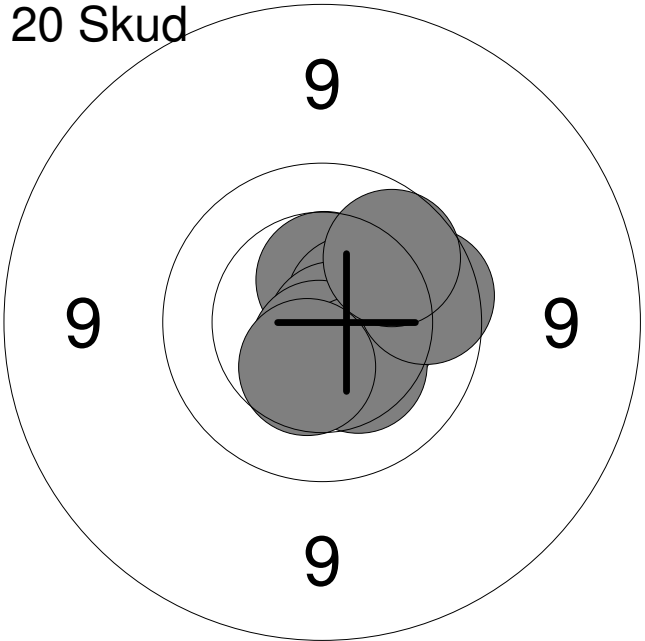
1:	9.3	↙
2:	9.4	↙
3:	10.2	↙
4:	10.2	←
5:	10.1	↙
6:	9.9	→
7:	10.7x	↗
8:	10.3	↘
Serie		77.0
Total		0.0

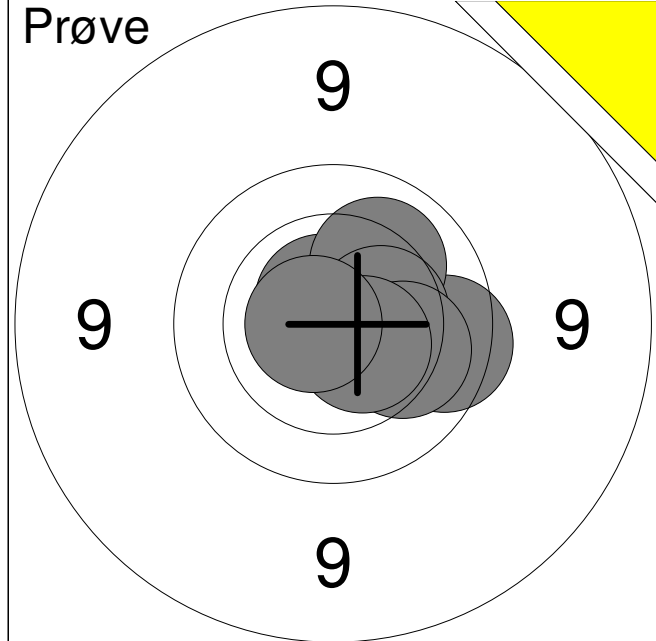


1:	9.9	↗
2:	9.8	↗
3:	10.5	←
4:	9.8	↗
5:	10.5x	→
6:	9.8	←
7:	10.2	←
8:	10.4	↑
9:	10.4	←
10:	10.5	←
Serie		96.0
Total		96.0

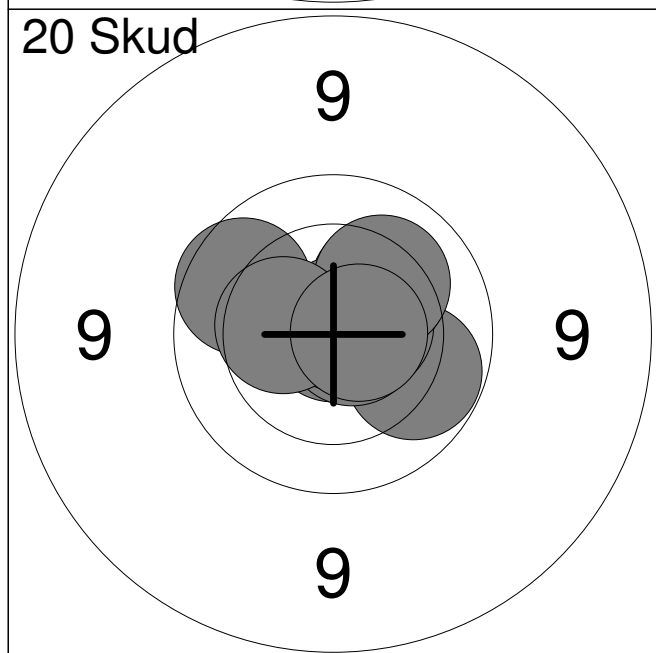


11:	9.7	↗
12:	9.8	→
13:	10.9x	↙
14:	10.0	↗
15:	10.4	→
16:	10.7x	←
17:	8.8	←
18:	10.0	↑
19:	10.7x	↙
20:	10.5	↗
Serie		96.0
Total		192.0

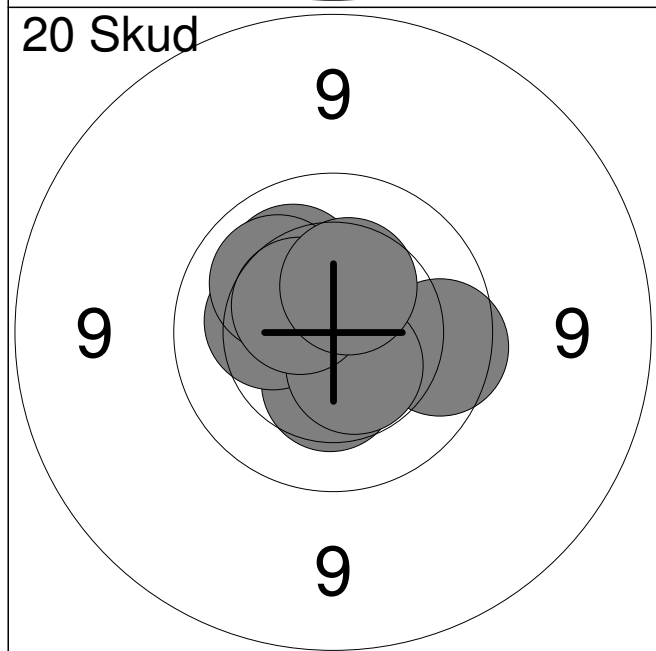
Hold 24	Skive 1	Anne Lise Herskind		
AAS		Vodskov Skytteforening		MVÅ1
		15 meter stævne 2016	Aalborg Skyttekreds	
Prøve			1: 9.6 ← 2: 10.4 ↓ 3: 10.2 ← 4: 10.7x ↑ 5: 10.2 ← 6: 10.1 → 7: 10.7x ←	
			Serie 69.0	
			Total 0.0	
20 Skud			1: 10.4 → 2: 10.4 ↓ 3: 10.6x ↗ 4: 10.4 ↗ 5: 10.4 ← 6: 10.6x ← 7: 10.3 ↓ 8: 9.9 ← 9: 10.7x ← 10: 10.4 ↓	
			Serie 99.0	
			Total 99.0	
20 Skud			11: 10.6x ↓ 12: 10.5 ↑ 13: 10.4 → 14: 10.5x ↗ 15: 10.8x ↓ 16: 10.7x ↓ 17: 10.3 ↓ 18: 9.8 → 19: 10.4 ↓ 20: 9.9 ↗	
			Serie 98.0	
			Total 197.0	



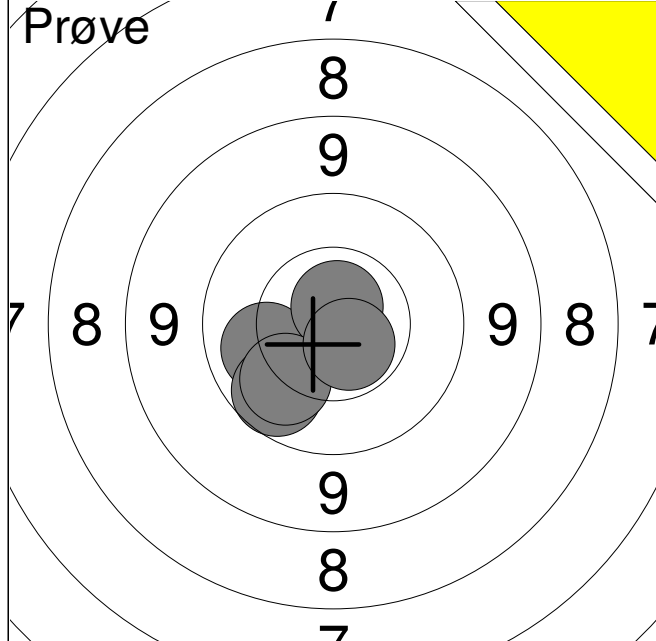
1:	10.4	↗
2:	10.7x	↑
3:	9.8	→
4:	10.1	↗
5:	10.4	→
6:	10.1	→
7:	10.6x	↘
8:	10.7x	←
Serie		79.0
Total		0.0



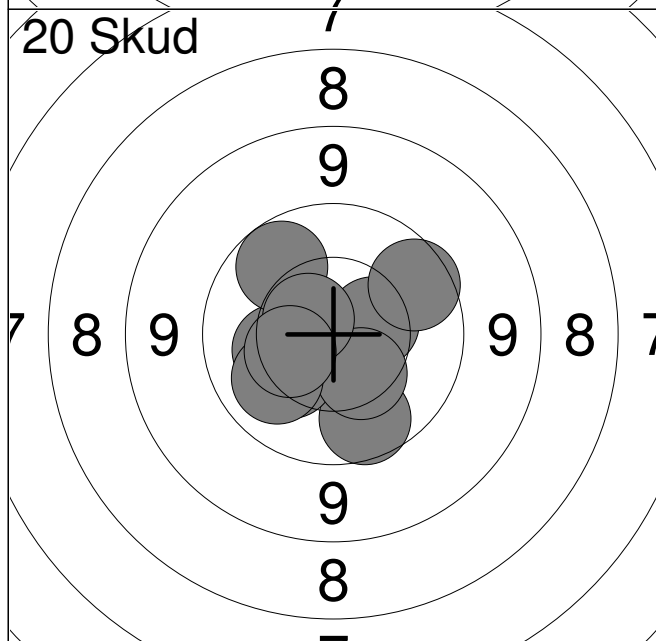
1:	10.0	↘
2:	10.9x	↗
3:	10.2	↗
4:	10.6x	→
5:	10.7x	→
6:	9.9	←
7:	10.8x	↗
8:	10.2	↗
9:	10.4	←
10:	10.7x	→
Serie		99.0
Total		99.0



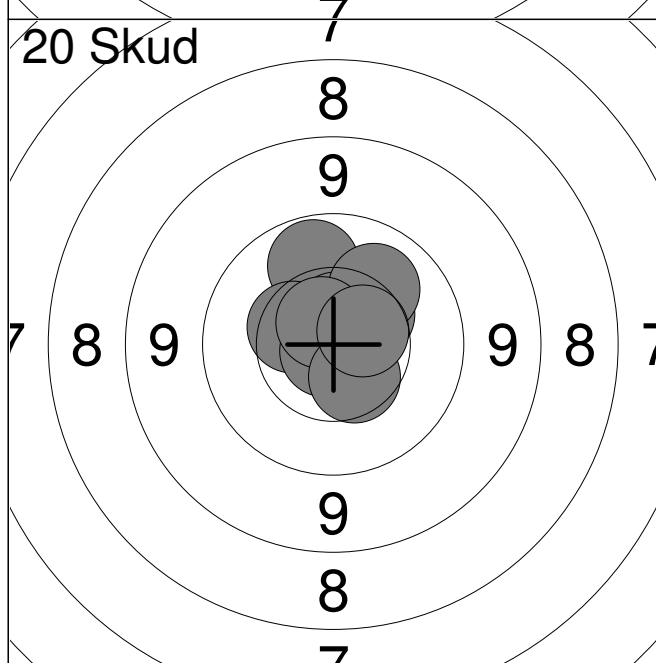
11:	10.9x	→
12:	10.4	↓
13:	10.5x	↑
14:	10.2	↗
15:	9.8	→
16:	10.3	←
17:	10.5x	↘
18:	10.1	↗
19:	10.5	↗
20:	10.4	↑
Serie		99.0
Total		198.0



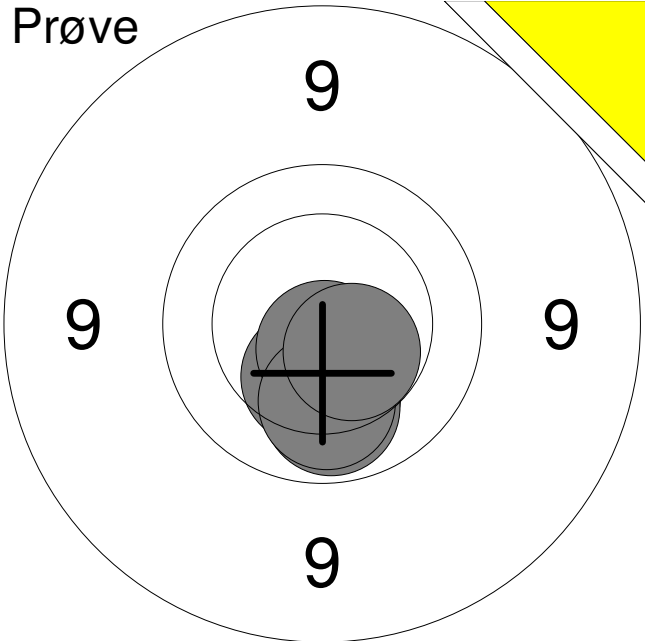
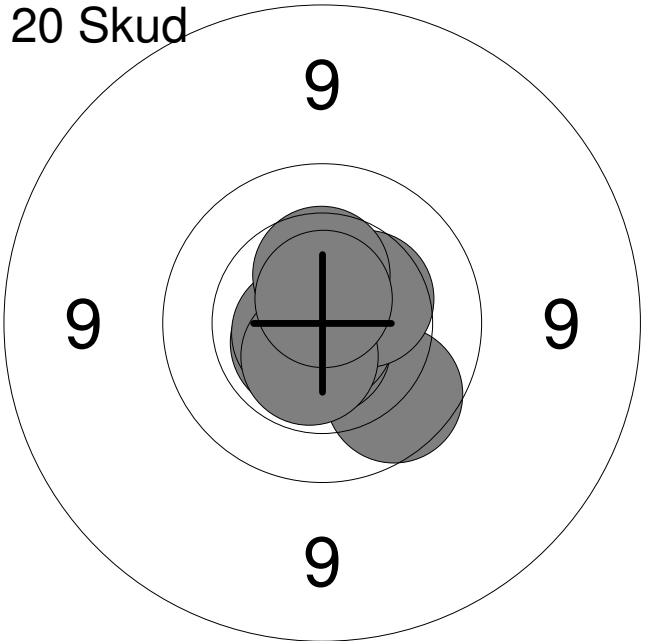
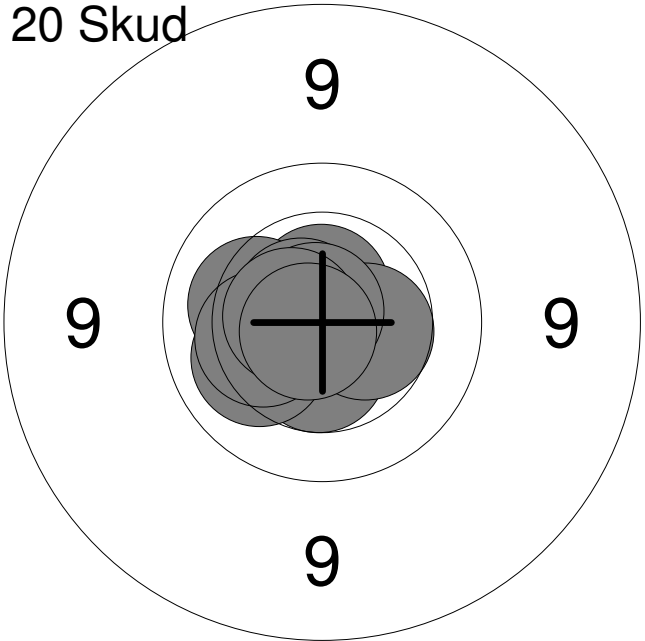
1:	10.1	←
2:	10.7x	↑
3:	9.9	↙
4:	10.1	↘
5:	10.6x	↘
Serie		49.0
Total		0.0

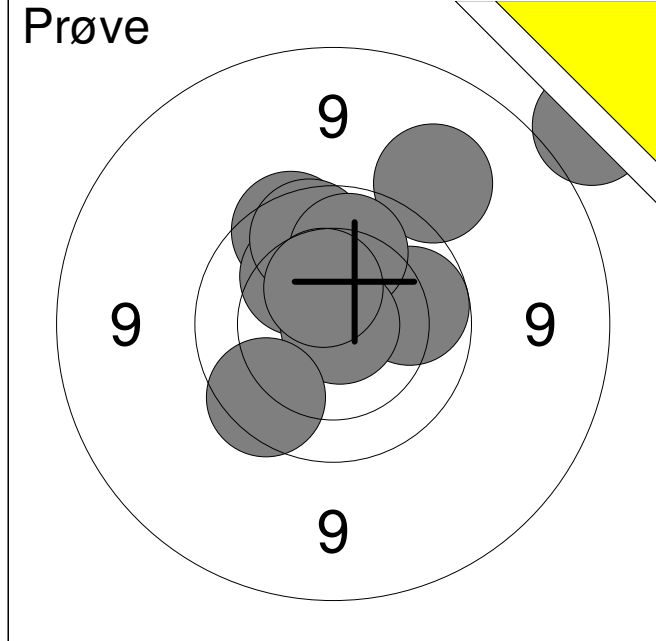


1:	9.9	↘
2:	10.3	←
3:	10.0	↗
4:	10.5	→
5:	10.3	↘
6:	9.8	↗
7:	10.4	↘
8:	10.1	↘
9:	10.6x	↗
10:	10.4	←
Serie		98.0
Total		98.0

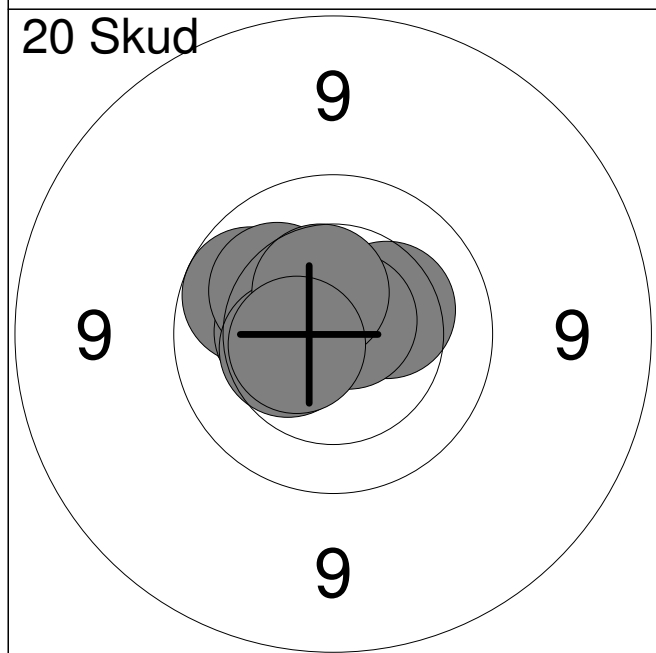


11:	10.6x	↘
12:	10.0	↑
13:	10.4	←
14:	10.6x	↑
15:	10.4	↗
16:	10.1	↗
17:	10.8x	↘
18:	10.7x	↗
19:	10.5	↘
20:	10.6	↗
Serie		100.0
Total		198.0

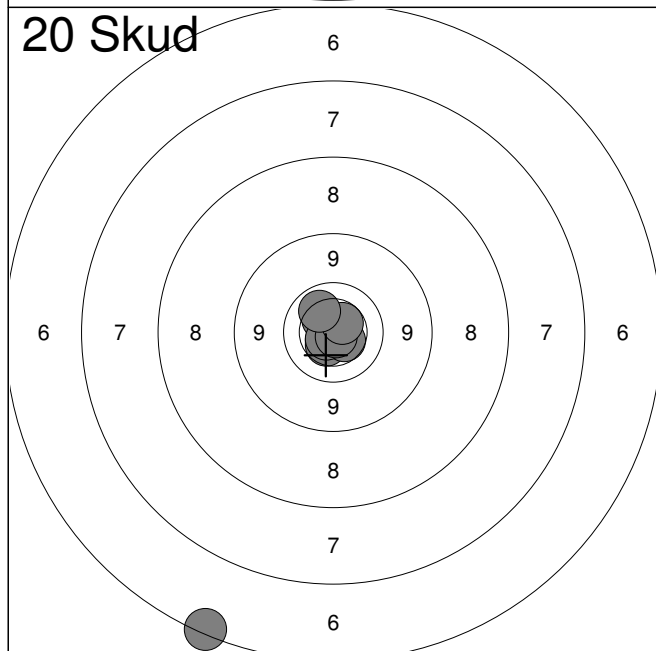
Hold	Skive	Michael Guldbæk Larsen	
24	4	Vodskov Skytteforening	VÅ1
AAS		15 meter stævne 2016	Aalborg Skyttekreds
Prøve		1: 10.3	↓
		2: 10.2	↓
		3: 10.0	↓
		4: 10.7x	↓
		5: 10.1	↓
		6: 10.5x	↘
		Serie	60.0
		Total	0.0
20 Skud		1: 9.9	↘
		2: 10.7x	↓
		3: 10.8x	↓
		4: 10.6x	↙
		5: 10.8x	↗
		6: 10.4	↗
		7: 10.7x	↙
		8: 10.4	↑
		9: 10.6x	↓
		10: 10.7x	↑
		Serie	99.0
		Total	99.0
20 Skud		11: 10.5	↓
		12: 10.6x	↑
		13: 10.5	→
		14: 10.2	↙
		15: 10.7x	↗
		16: 10.2	↙
		17: 10.8x	↗
		18: 10.3	↙
		19: 10.6x	↙
		20: 10.8x	↙
		Serie	100.0
		Total	199.0



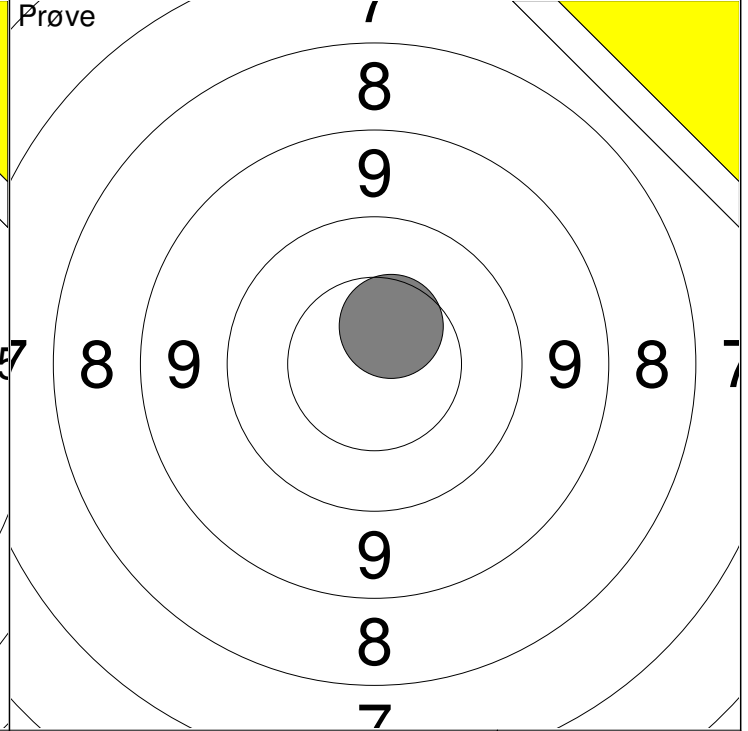
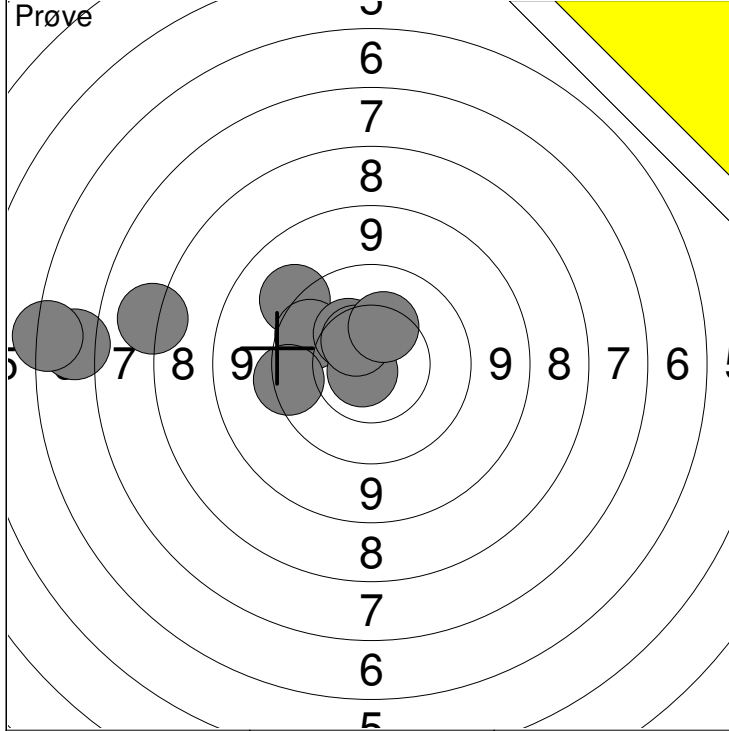
1:	8.4	↗
2:	9.3	↗
3:	9.8	↗
4:	10.2	↗
5:	9.9	↗
6:	9.9	→
7:	10.0	↗
8:	10.9x	→
9:	9.8	↙
10:	10.5	↗
Serie	93.0	
Total	0.0	



1:	10.3	←
2:	9.9	↙
3:	10.8x	↗
4:	10.4	←
5:	10.2	↗
6:	10.4	←
7:	10.3	↗
8:	10.7x	↗
9:	10.5	↗
10:	10.5x	←
Serie	99.0	
Total	99.0	

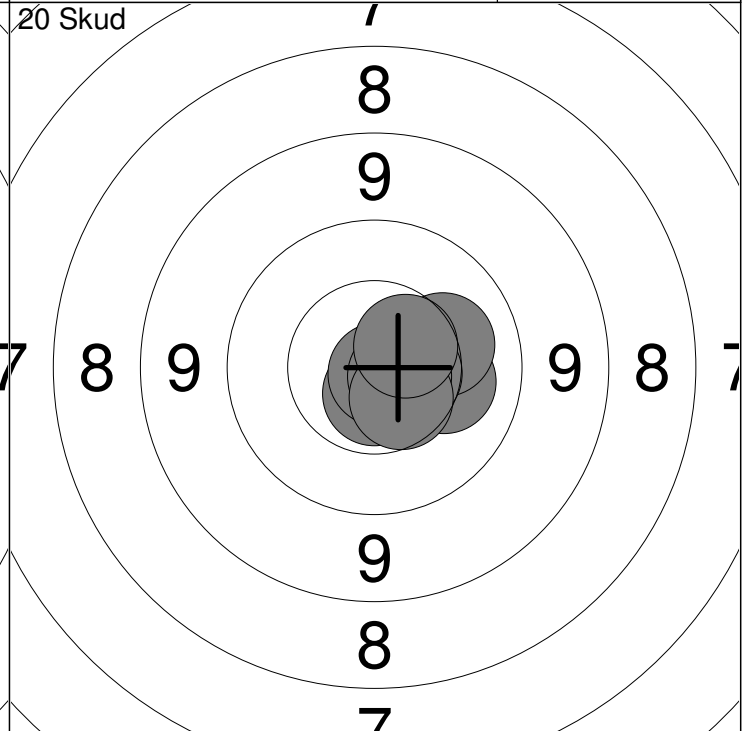
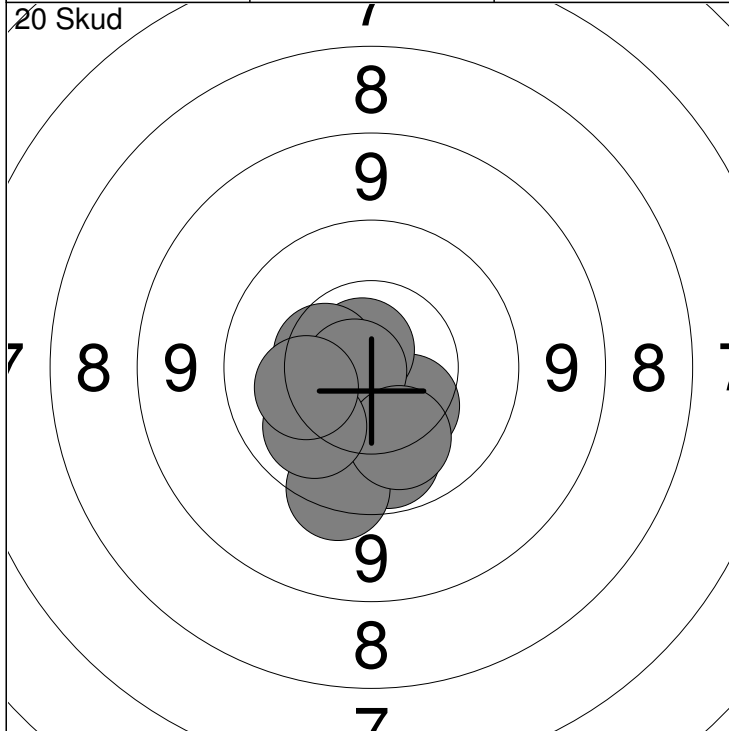


11:	10.6x	↙
12:	0.0	↙
13:	10.8x	↗
14:	10.4	↙
15:	10.4	↗
16:	10.5	↙
17:	10.6x	↙
18:	10.8x	↙
19:	10.5x	↗
20:	10.1	↗
Serie	90.0	
Total	189.0	



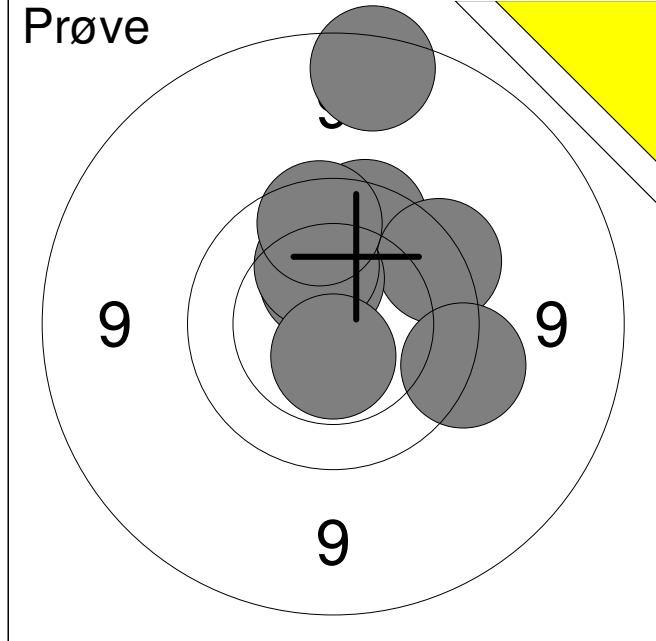
1: 6.0 ←	6: 9.6 ←	Serie	85
2: 5.5 ←	7: 10.4 ↗		
3: 7.3 ←	8: 10.8x ↙	Total	0
4: 9.3 ↗	9: 10.5 ↗		
5: 9.9 ↗	10: 10.4 ↗		

11: 10.5 ↗	Serie	10
	Total	0

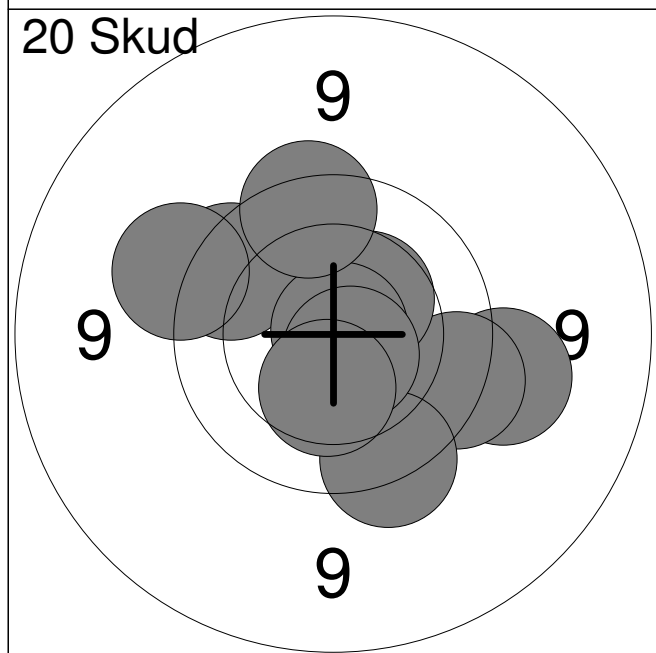


1: 10.7x ↓	6: 10.4 ←	Serie	99
2: 10.4 ↓	7: 10.8x ←		
3: 10.7x ↗	8: 10.2 ↓	Total	99
4: 10.0 ↓	9: 10.1 ↙		
5: 9.6 ↓	10: 10.2 ←		

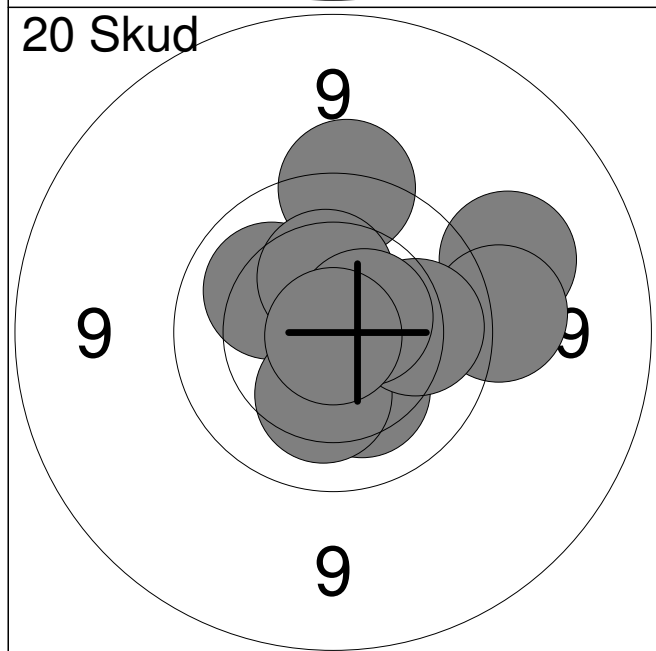
11: 10.5 →	16: 10.9x ↓	Serie	100
12: 10.7x ↓	17: 10.6 →		
13: 10.8x →	18: 10.7x →	Total	199
14: 10.2 →	19: 10.5 ↓		
15: 10.2 →	20: 10.6 ↗		



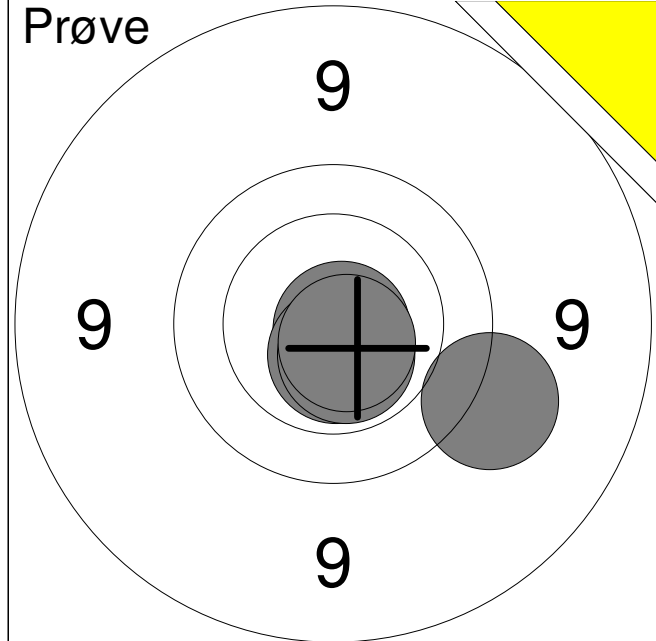
1:	9.8	↗
2:	8.8	↑
3:	9.7	↘
4:	10.4	↑
5:	9.6	↘
6:	10.2	↑
7:	9.8	↑
8:	10.6x	↓
Serie		74.0
Total		0.0



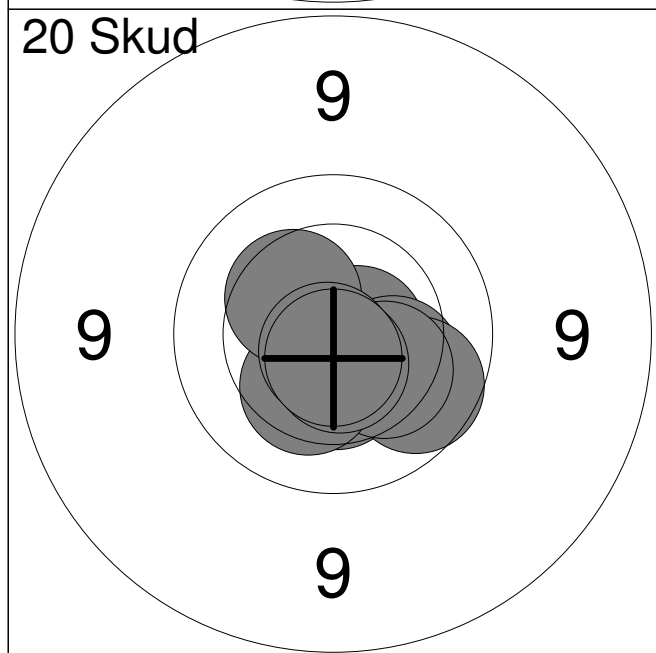
1:	9.4	↘
2:	9.8	↗
3:	9.7	↘
4:	9.7	↓
5:	10.4	↗
6:	10.9x	↗
7:	10.7x	↓
8:	9.7	↑
9:	10.4	↓
10:	9.5	↖
Serie		94.0
Total		94.0



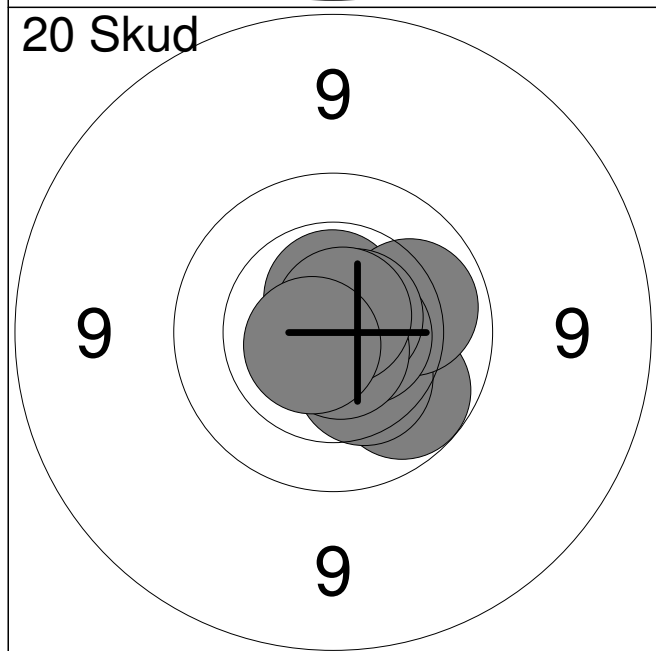
11:	10.1	↖
12:	9.6	↑
13:	9.3	↘
14:	10.2	↓
15:	10.3	↑
16:	9.5	→
17:	10.3	↓
18:	10.0	→
19:	10.6x	↗
20:	10.9x	↓
Serie		97.0
Total		191.0



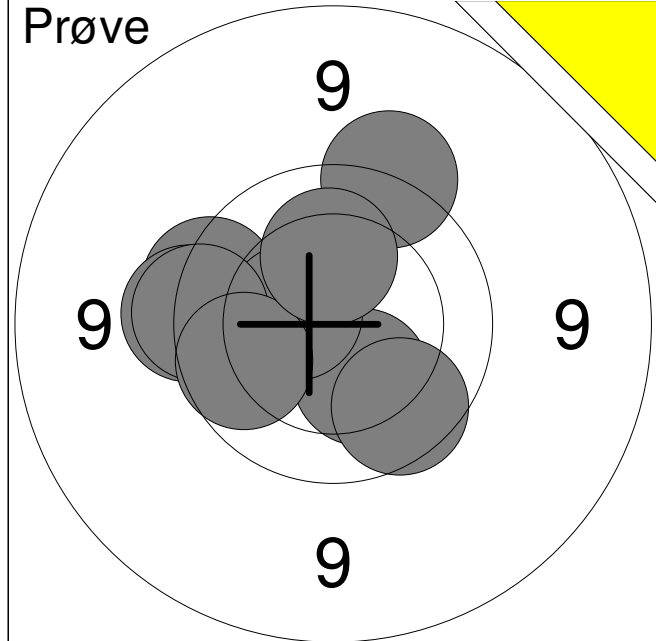
1:	9.4	↘
2:	10.8x	↘
3:	10.6x	↓
4:	10.6x	↘
5:	10.7x	↘
Serie		49.0
Total		0.0



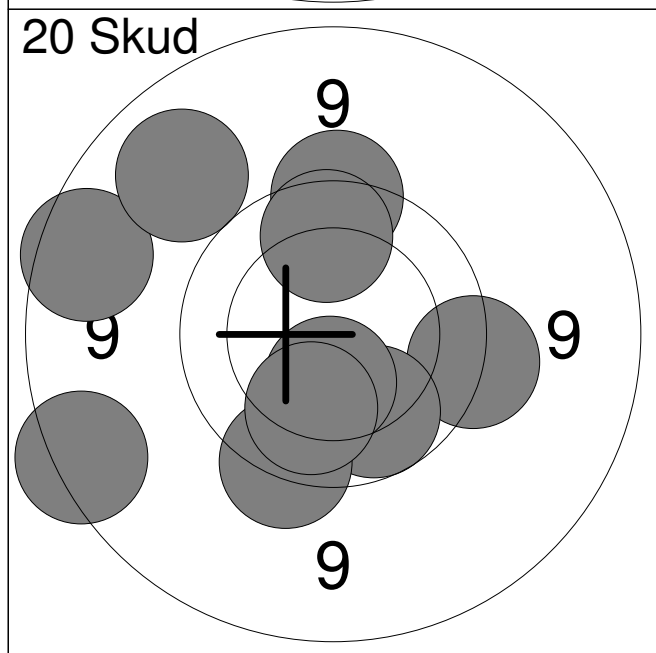
1:	10.4	↓
2:	10.7x	→
3:	10.2	↘
4:	9.9	↘
5:	10.3	↘
6:	10.3	↓
7:	10.4	↗
8:	10.6x	↓
9:	10.8x	↓
10:	10.7x	↓
Serie		99.0
Total		99.0



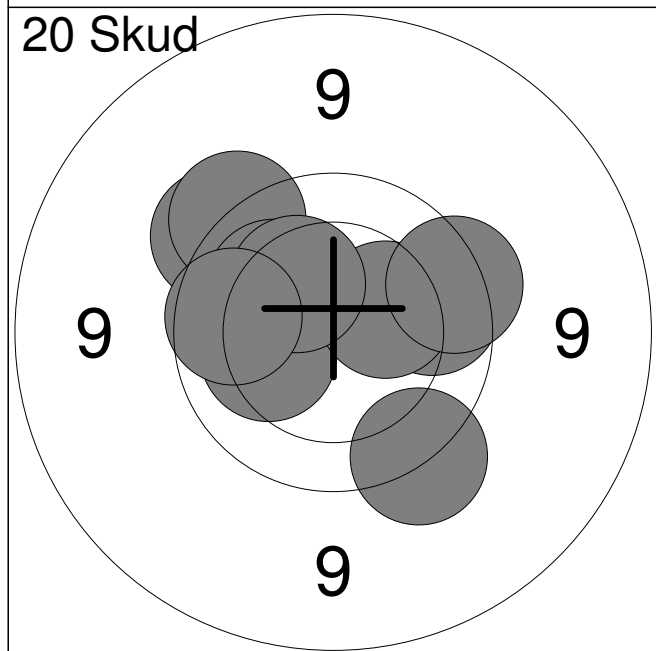
11:	10.5	↘
12:	10.0	↘
13:	10.4	↘
14:	10.6x	↑
15:	10.1	→
16:	10.6x	→
17:	10.7x	↗
18:	10.7x	↓
19:	10.7x	↗
20:	10.7x	↙
Serie		100.0
Total		199.0



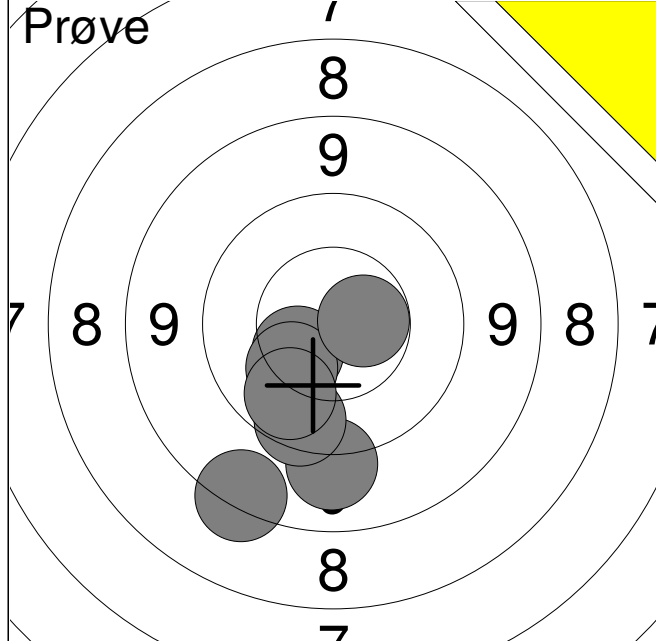
1:	9.5	↗
2:	10.3	↘
3:	9.7	↖
4:	9.9	↘
5:	9.6	↖
6:	10.5x	↖
7:	9.7	↖
8:	9.9	↖
9:	10.2	↗
Serie		84.0
Total		0.0



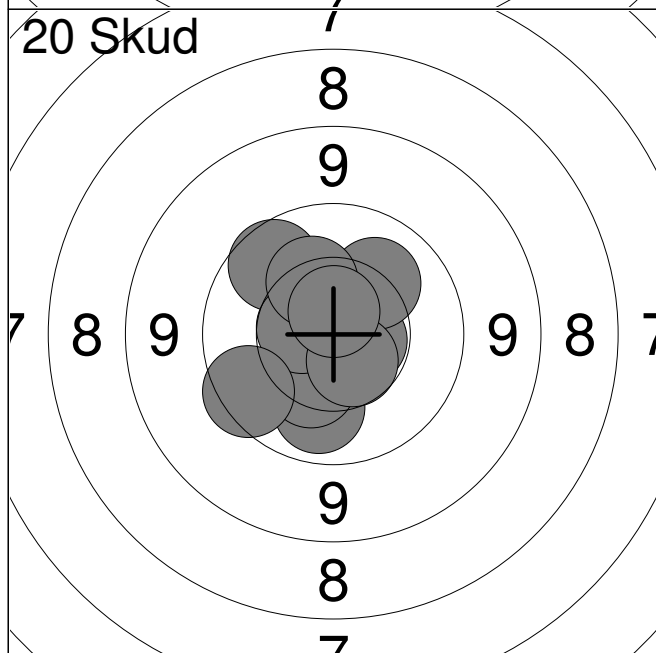
1:	9.6	↗
2:	9.6	→
3:	8.8	↖
4:	10.0	↘
5:	8.9	↖
6:	9.1	↗
7:	9.6	↘
8:	10.4	↘
9:	10.1	↘
10:	9.9	↗
Serie		91.0
Total		91.0



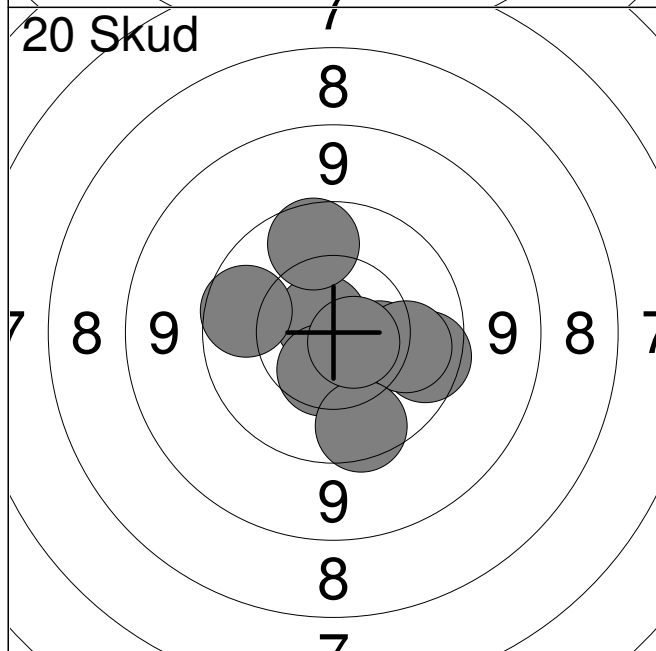
11:	9.6	↗
12:	9.6	↗
13:	9.9	→
14:	10.1	↗
15:	10.2	↖
16:	9.6	↘
17:	10.3	→
18:	10.3	↗
19:	9.7	→
20:	9.9	↖
Serie		94.0
Total		185.0



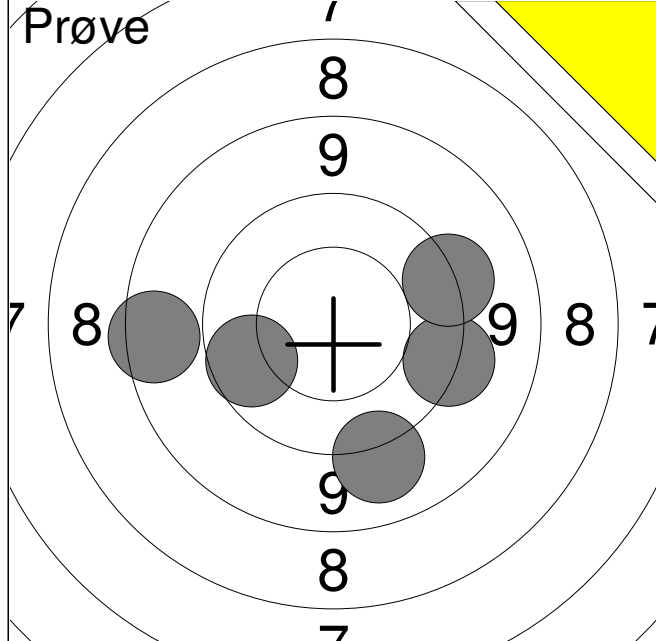
1:	10.4	↙
2:	10.2	↙
3:	9.2	↓
4:	8.5	↙
5:	9.7	↙
6:	10.0	↙
7:	10.6x	→
Serie	66.0	
Total	0.0	



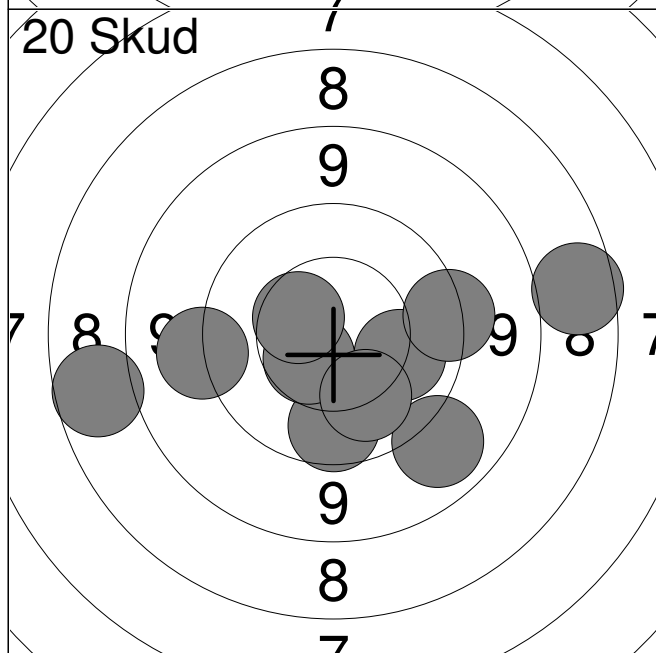
1:	10.6x	→
2:	10.2	↗
3:	9.9	↗
4:	10.1	↓
5:	10.3	↙
6:	10.6	←
7:	9.7	←
8:	10.3	↗
9:	10.6	↙
10:	10.7x	↑
Serie	98.0	
Total	98.0	



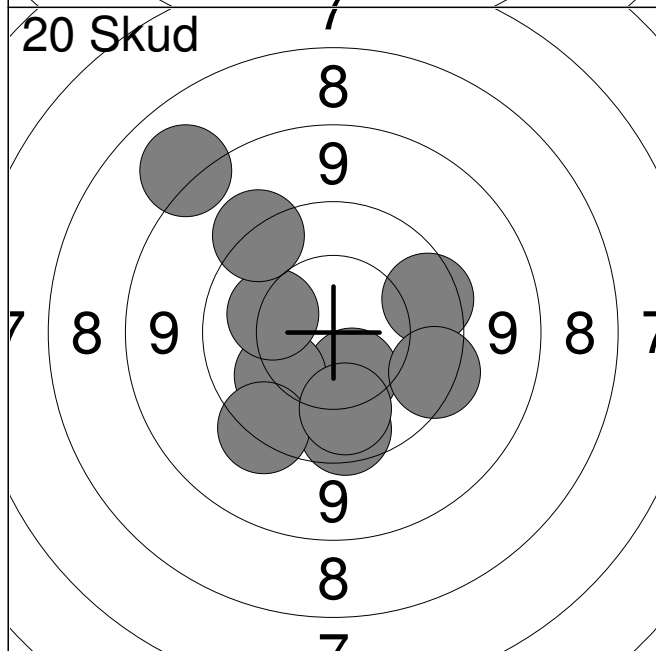
11:	10.7x	↗
12:	9.8	→
13:	9.9	↑
14:	10.5	↓
15:	10.4	→
16:	10.5	↙
17:	10.1	→
18:	9.9	←
19:	9.8	↙
20:	10.7x	↙
Serie	96.0	
Total	194.0	



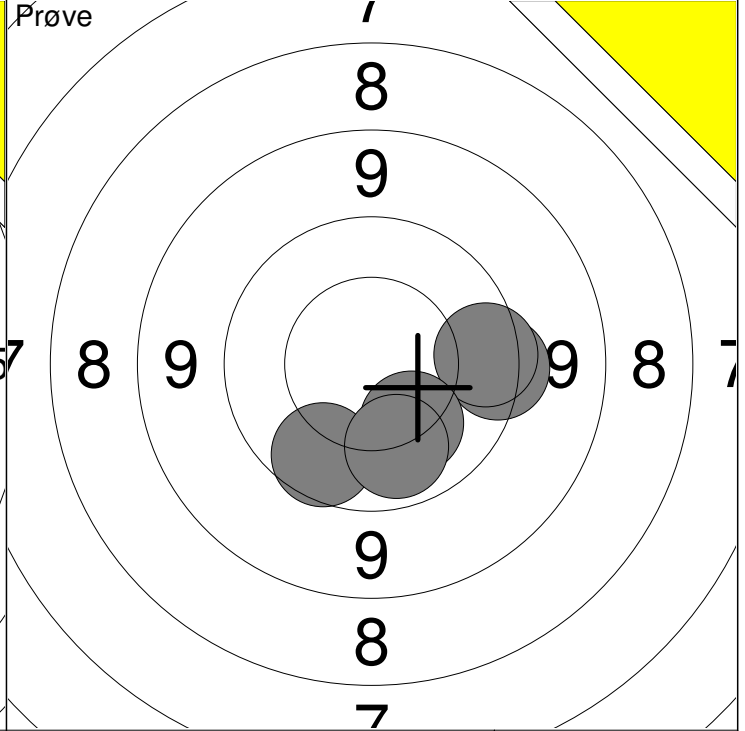
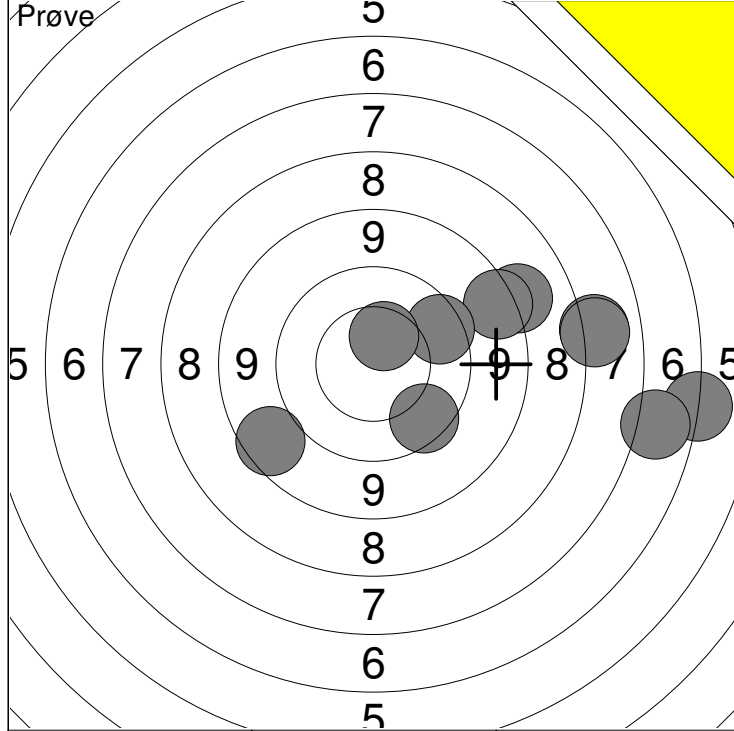
1:	9.5	→
2:	9.9	←
3:	9.4	→
4:	8.7	←
5:	9.2	↓
Serie	44.0	
Total	0.0	



1:	10.1	→
2:	9.1	↓
3:	9.9	↓
4:	10.6	↙
5:	10.1	↓
6:	7.9	←
7:	9.3	←
8:	7.8	→
9:	9.5	→
10:	10.5	↖
Serie	90.0	
Total	90.0	

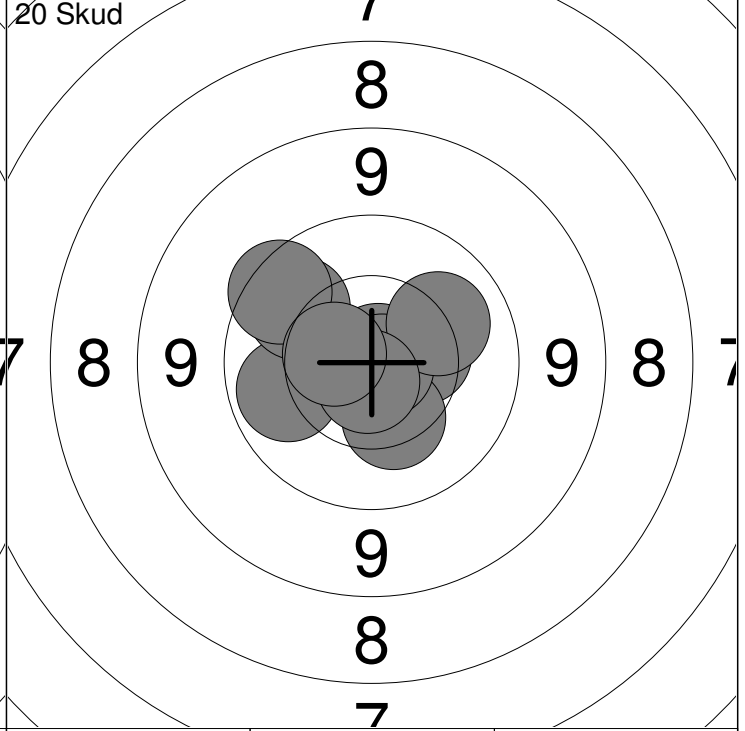
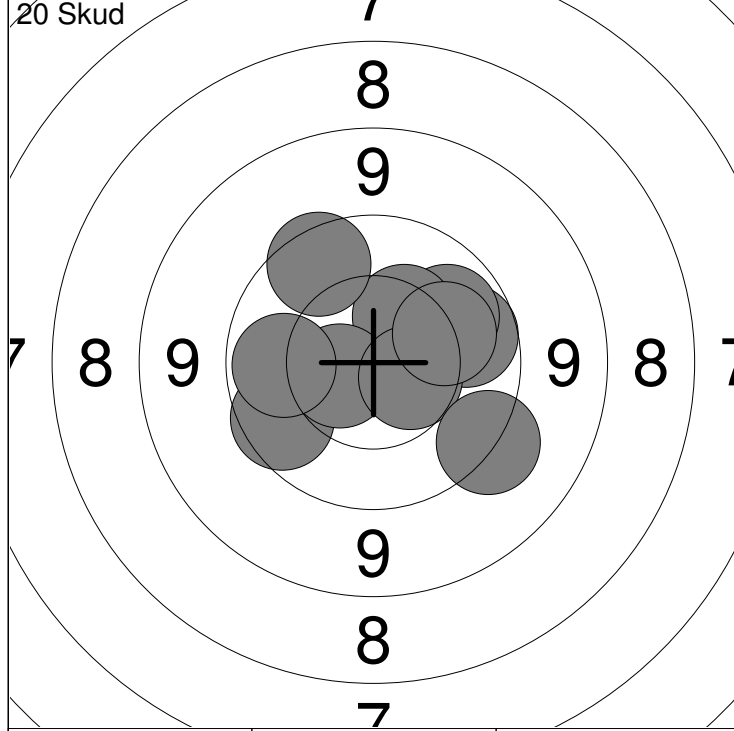


11:	10.4	↓
12:	10.1	↙
13:	10.2	↖
14:	9.7	→
15:	9.8	↓
16:	8.2	↗
17:	9.6	↘
18:	9.5	↘
19:	9.5	↗
20:	10.0	↓
Serie	93.0	
Total	183.0	



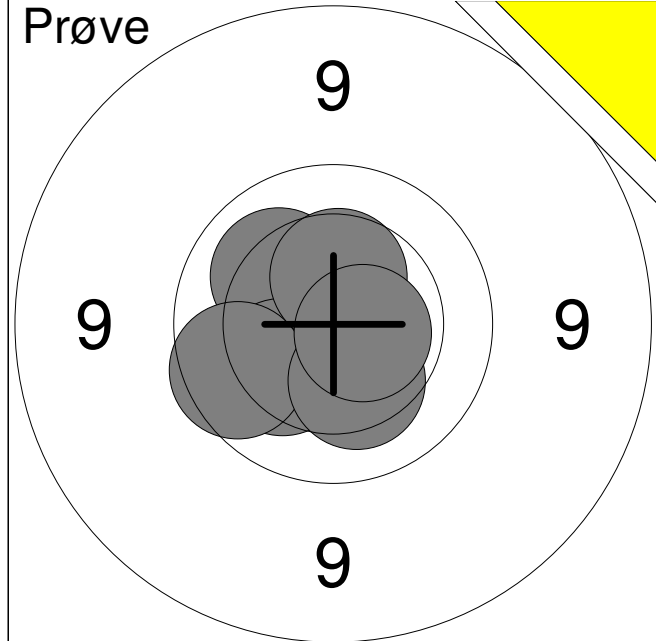
1: 5.4 →	6: 8.6 ↗	Serie	77
2: 6.0 →	7: 9.7 ↗		
3: 8.3 ↗	8: 8.8 ↙	Total	0
4: 7.2 →	9: 10.5 ↗		
5: 7.2 →	10: 9.8 ↘		

11: 9.6 →	Serie	47
12: 9.7 →		
13: 9.9 ↘	Total	0
14: 10.2 ↘		
15: 10.0 ↘		

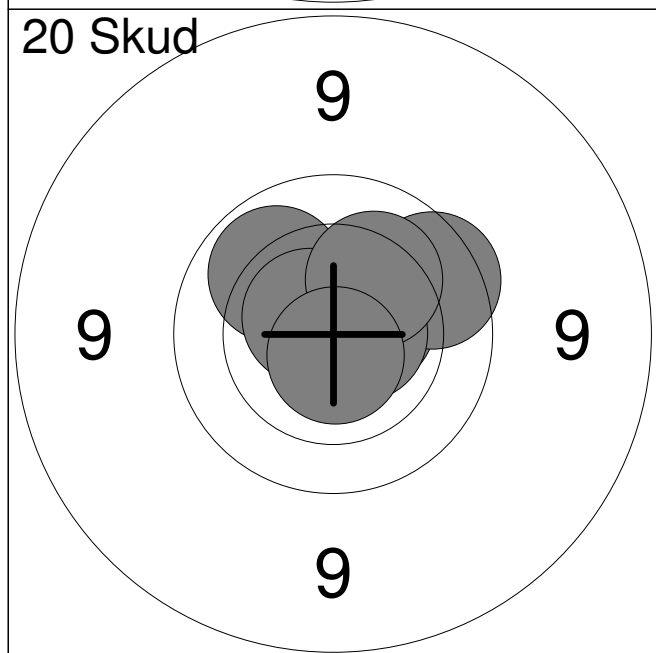


1: 9.9 →	6: 10.5 →	Serie	96
2: 10.0 ↗	7: 10.1 →		
3: 10.4 ↗	8: 9.8 ↗	Total	96
4: 9.8 ↙	9: 10.0 ←		
5: 10.6 ↙	10: 9.4 ↘		

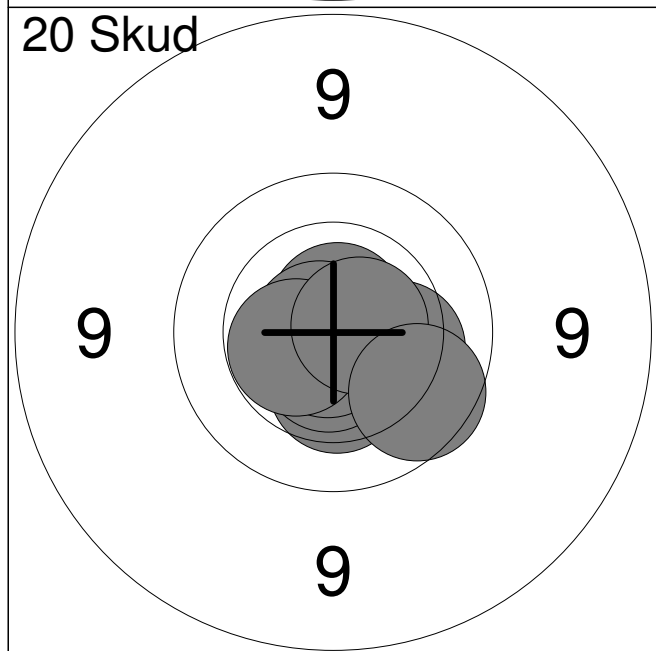
11: 10.0 ←	16: 10.8x ↗	Serie	99
12: 10.4 →	17: 10.8x →		
13: 10.3 ↘	18: 10.1 ↗	Total	195
14: 10.0 ↗	19: 10.7x ↘		
15: 9.7 ↗	20: 10.6 ←		



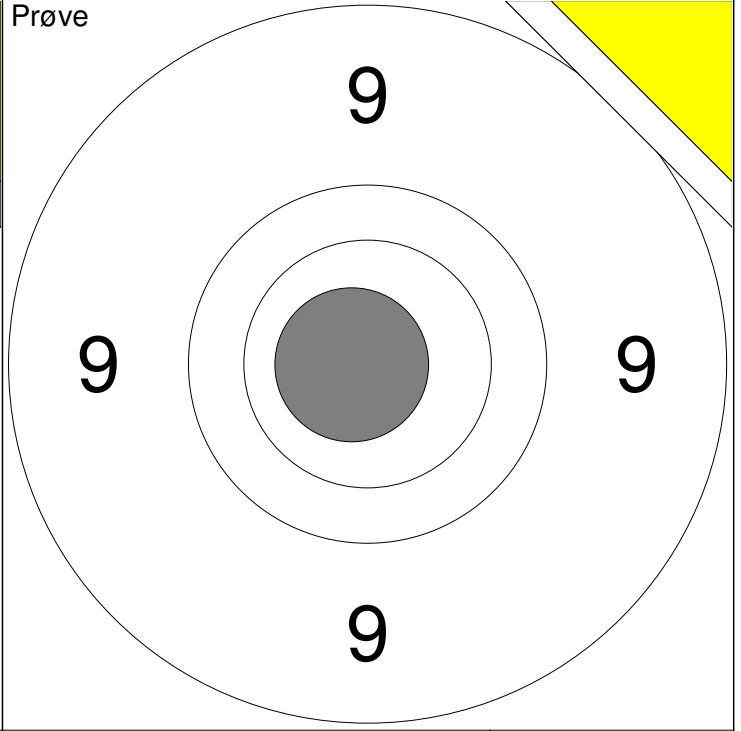
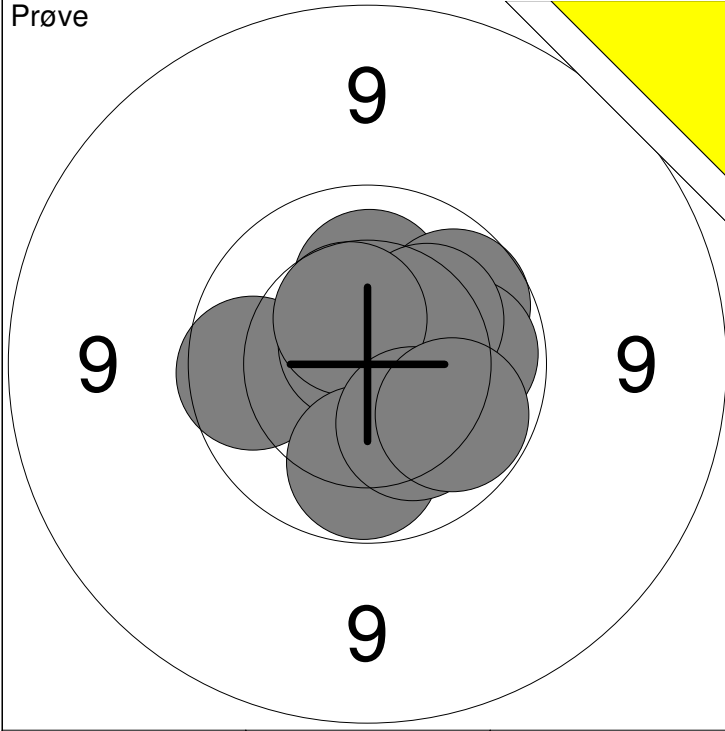
1:	10.1	↗
2:	10.6x	↓
3:	10.2	↙
4:	9.9	↖
5:	10.3	↓
6:	10.4	↑
7:	10.6x	→
Serie		69.0
Total		0.0



1:	10.8x	↗
2:	10.5x	↗
3:	10.8x	↑
4:	9.8	↗
5:	10.8x	↓
6:	10.7x	→
7:	10.0	↗
8:	10.6x	↖
9:	10.2	↗
10:	10.7x	↓
Serie		99.0
Total		99.0

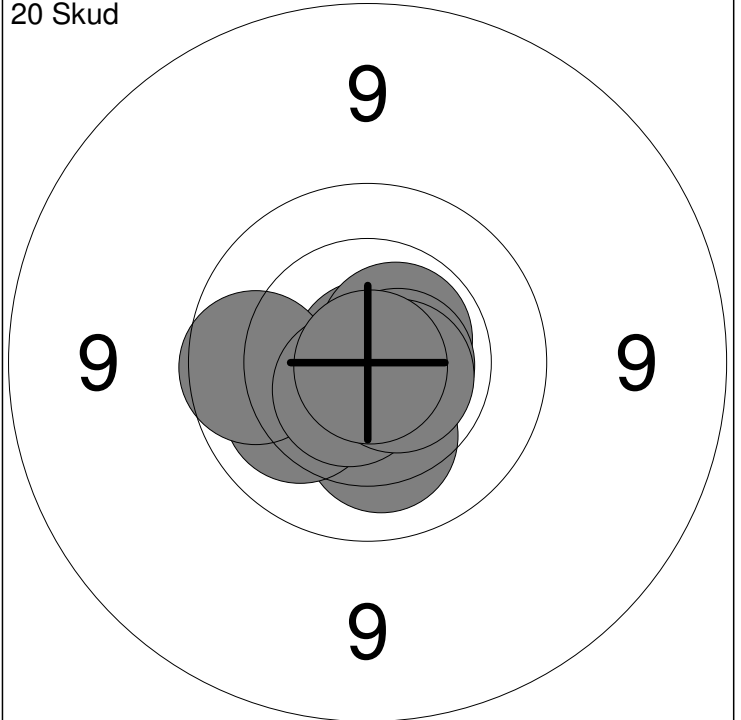
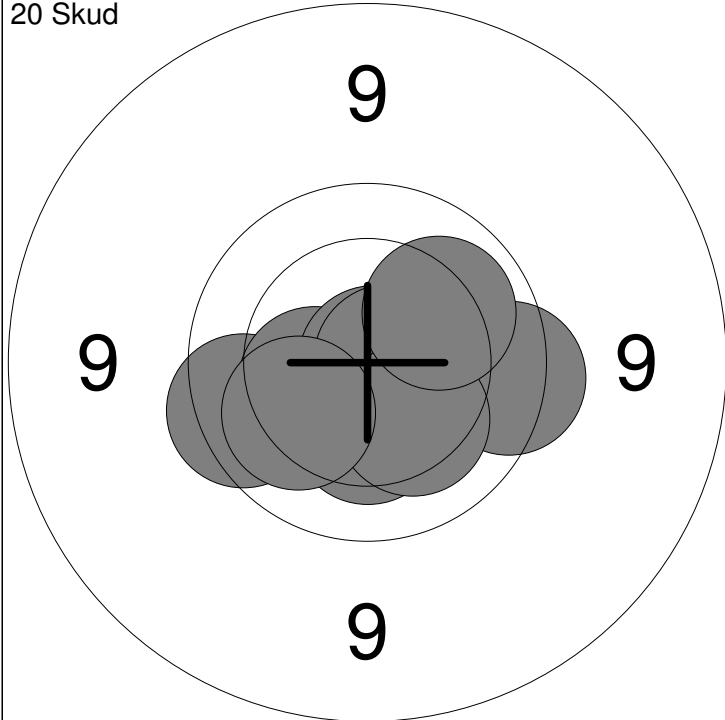


11:	10.7x	↗
12:	10.7x	↑
13:	10.8x	↖
14:	10.4	↓
15:	10.2	→
16:	10.6x	↓
17:	10.8x	↓
18:	10.5x	↖
19:	10.6x	→
20:	9.9	↘
Serie		99.0
Total		198.0



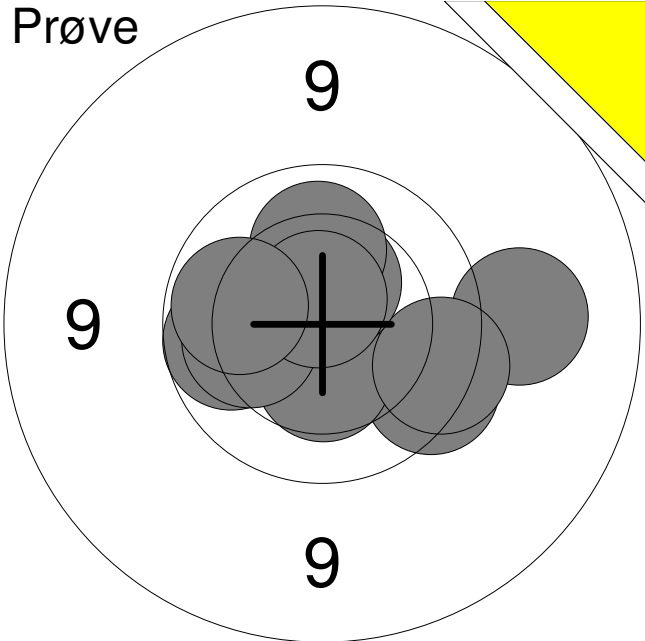
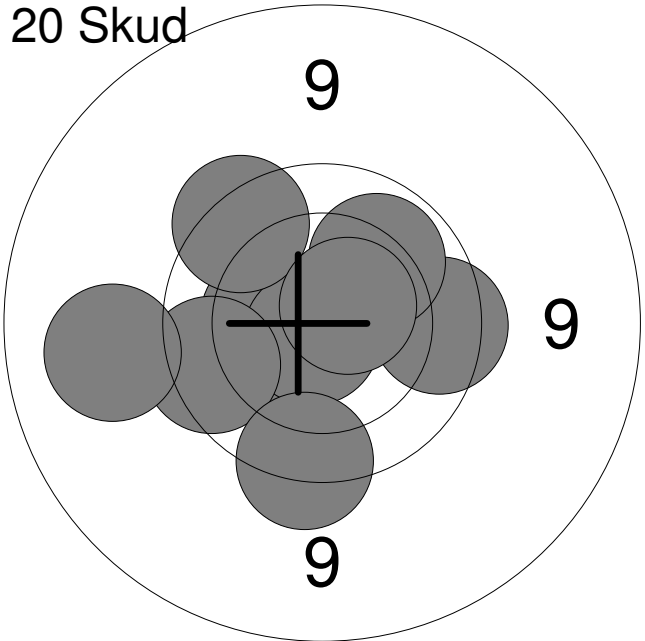
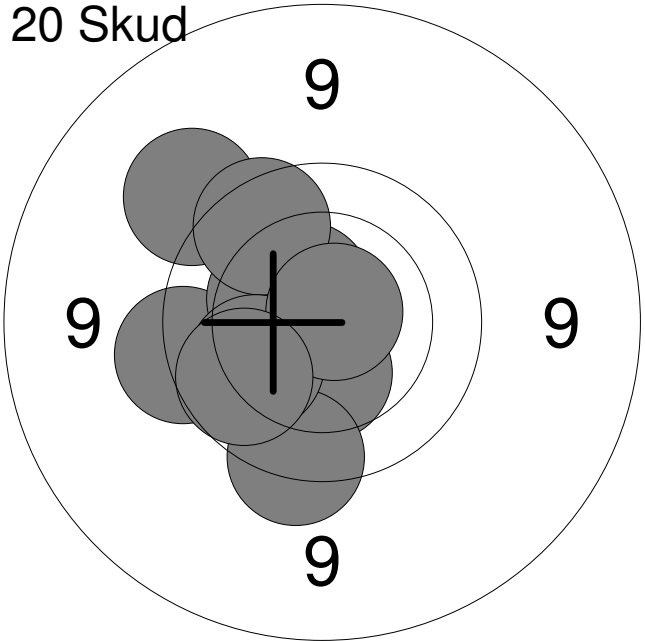
1: 9.9 ←	6: 10.2 ↗	Serie	98
2: 10.2 ↑	7: 10.5 ↗		
3: 9.9 ↗	8: 10.0 ↓	Total	0
4: 10.7x ↖	9: 10.2 ↓		
5: 10.0 →	10: 10.0 ↘		

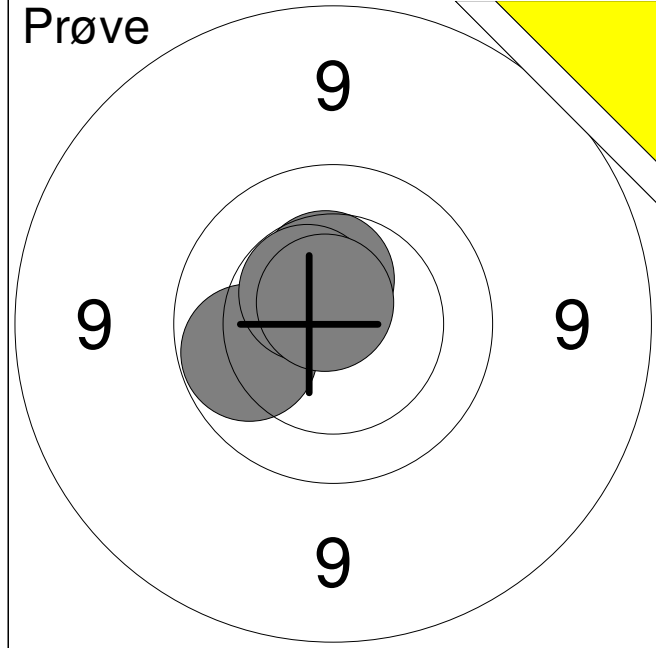
11: 10.8x ←	Serie	10
	Total	0



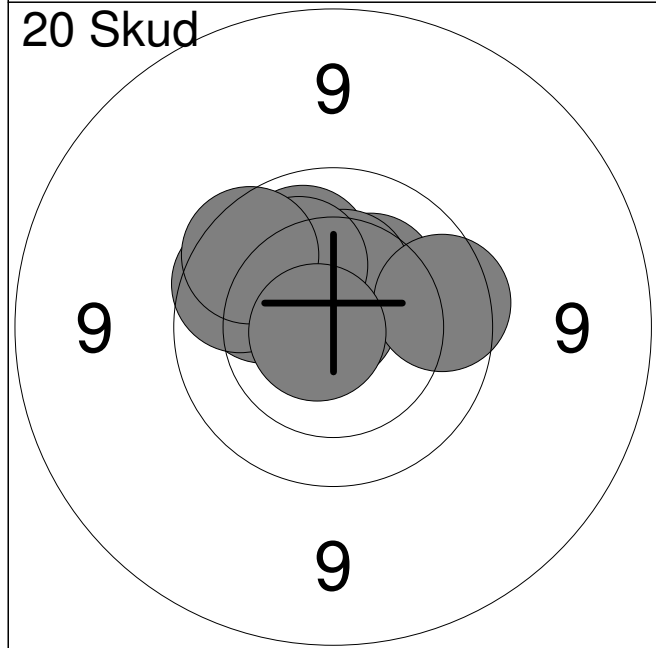
1: 9.8 ←	6: 10.7x →	Serie	98
2: 10.8x ↓	7: 9.7 →		
3: 10.3 ↓	8: 10.2 ↓	Total	98
4: 10.4 ←	9: 10.1 ↗		
5: 10.9x →	10: 10.1 ←		

11: 10.9x ↗	16: 10.2 ←	Serie	99
12: 10.6x ↗	17: 9.9 ←		
13: 10.6x →	18: 10.6x ↓	Total	197
14: 10.6x ↓	19: 10.6x →		
15: 10.2 ↓	20: 10.9x ↘		

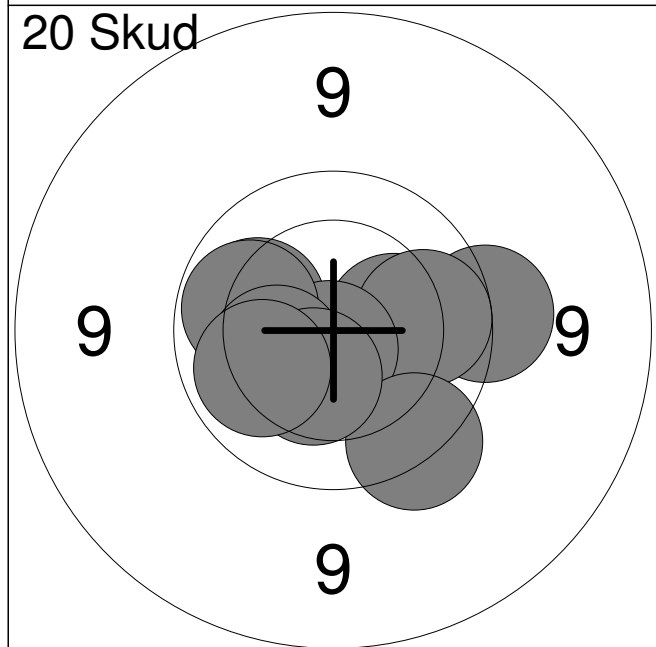
Hold	Skive	Kian Nedrud Møller	
25	4		
AAS		Vadum Skf.	MJ2
		15 meter stævne 2016	Aalborg Skyttekreds
Prøve 	1:	9.3	→
	2:	9.7	↘
	3:	10.4	↓
	4:	9.7	→
	5:	9.9	←
	6:	10.5	↑
	7:	10.1	↑
	8:	10.1	←
	9:	10.7x	↑
	10:	10.0	←
	Serie		96.0
Total		0.0	
20 Skud 	1:	9.8	→
	2:	10.0	↗
	3:	10.2	←
	4:	10.4	←
	5:	10.8x	↘
	6:	9.7	↗
	7:	9.8	←
	8:	9.2	←
	9:	10.6x	↗
	10:	9.6	↓
	Serie		95.0
Total		95.0	
20 Skud 	11:	10.4	↓
	12:	10.5x	↗
	13:	9.6	←
	14:	9.4	↗
	15:	10.4	↗
	16:	9.8	↗
	17:	9.7	↓
	18:	10.1	←
	19:	10.8x	↗
	20:	9.9	↘
	Serie		95.0
Total		190.0	



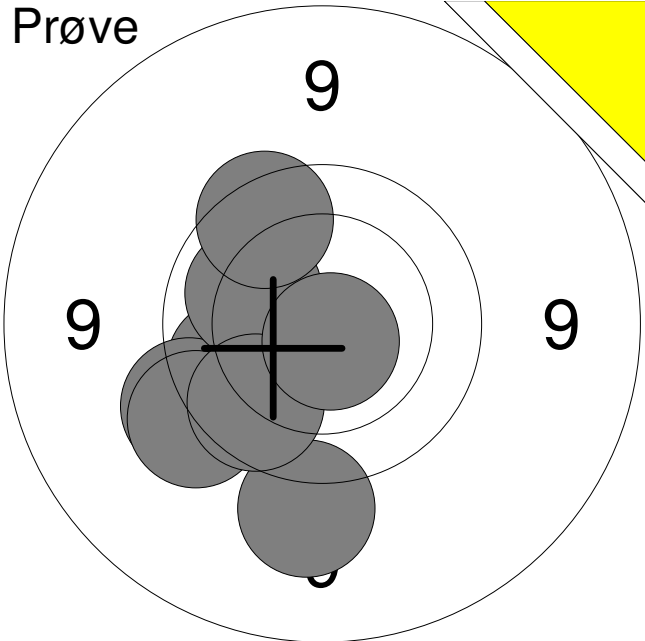
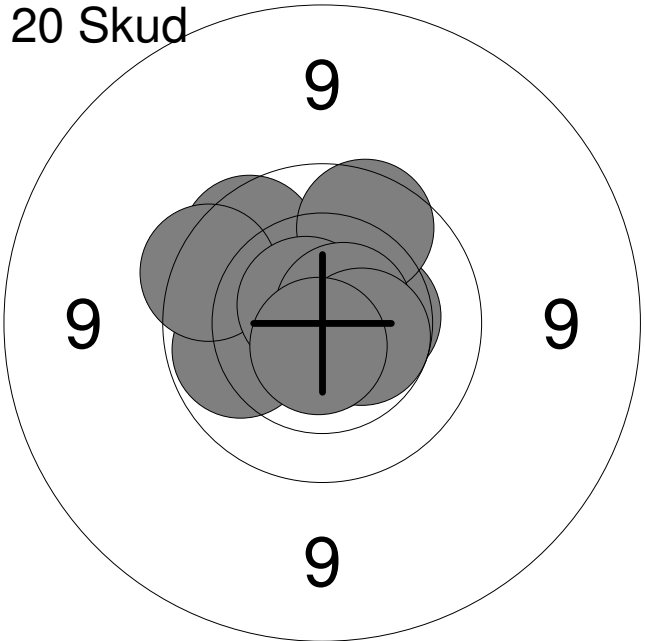
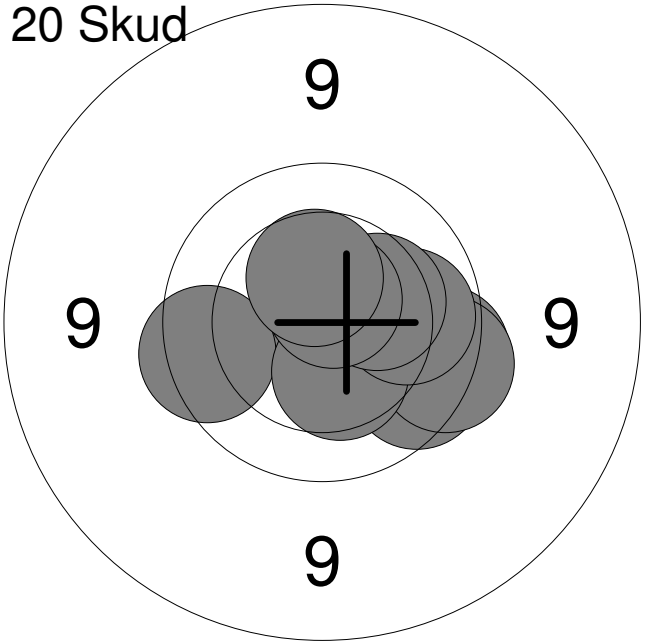
1:	10.5	↑
2:	10.0	←
3:	10.5x	↗
4:	10.7x	↗
Serie		40.0
Total		0.0



1:	10.3	↗
2:	10.1	↗
3:	10.8x	↗
4:	10.4	↗
5:	10.1	←
6:	10.2	↗
7:	9.9	←
8:	9.8	↗
9:	9.8	→
10:	10.8x	←
Serie		97.0
Total		97.0

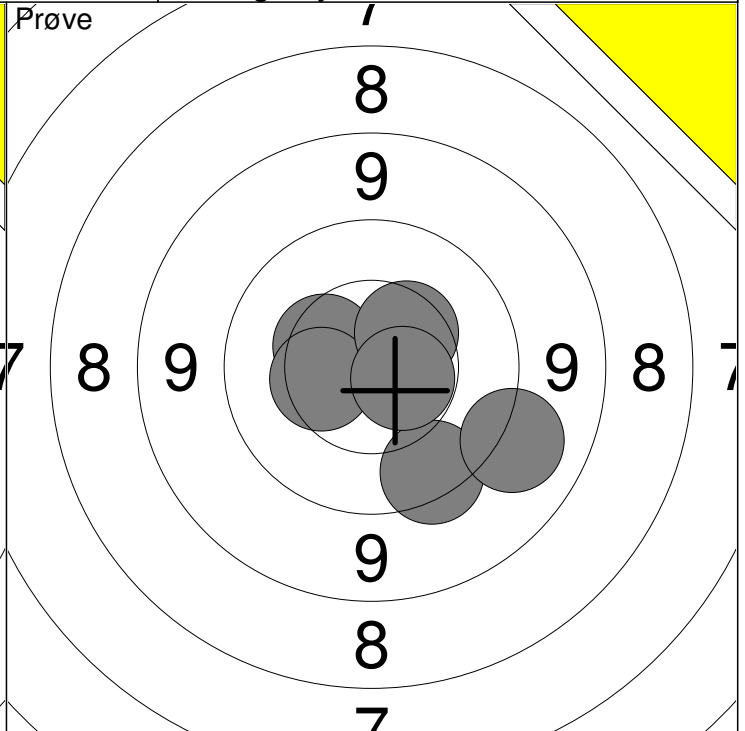
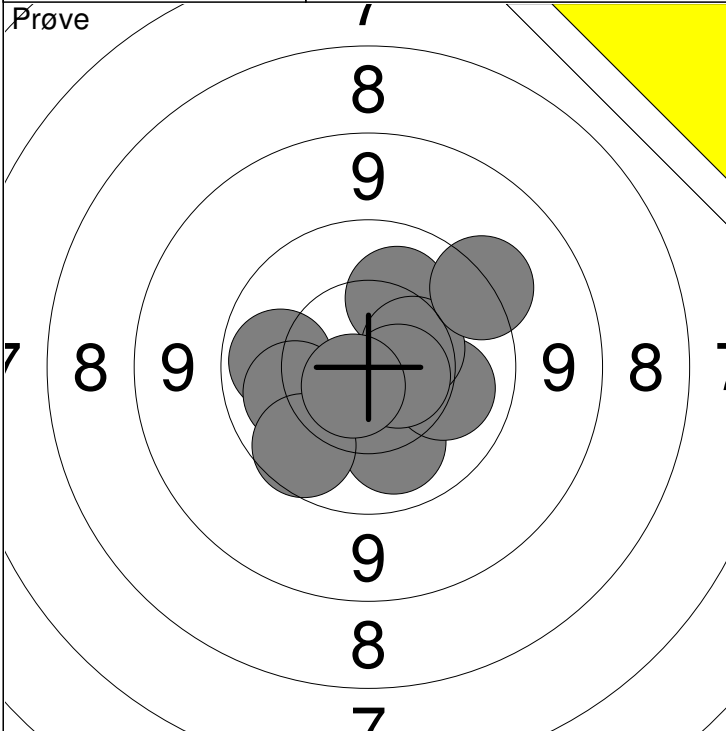


11:	9.6	→
12:	10.3	→
13:	10.0	→
14:	10.1	←
15:	10.7x	↓
16:	10.0	←
17:	10.3	←
18:	9.7	↘
19:	10.4	↘
20:	10.1	←
Serie		98.0
Total		195.0

Hold 25	Skive 6	Birgitte Bonde	
AAS		Vodskov Skytteforening	VÅ2
		15 meter stævne 2016	Aalborg Skyttekreds
Prøve		1: 9.4	↓
		2: 9.9	←
		3: 9.5	←
		4: 9.5	←
		5: 10.1	↖
		6: 9.9	↘
		7: 9.8	↗
		8: 10.7x	↓
		Serie	74.0
		Total	0.0
20 Skud		1: 9.8	↗
		2: 10.7x	↓
		3: 10.0	←
		4: 9.7	↖
		5: 10.4	→
		6: 9.9	↗
		7: 10.7x	↗
		8: 10.7x	↗
		9: 10.5	→
		10: 10.7x	↓
		Serie	97.0
		Total	97.0
20 Skud		11: 10.8x	→
		12: 9.7	→
		13: 9.8	↘
		14: 9.8	←
		15: 9.7	→
		16: 10.4	↓
		17: 10.0	→
		18: 10.3	↗
		19: 10.7x	↗
		20: 10.4	↑
		Serie	96.0
		Total	193.0

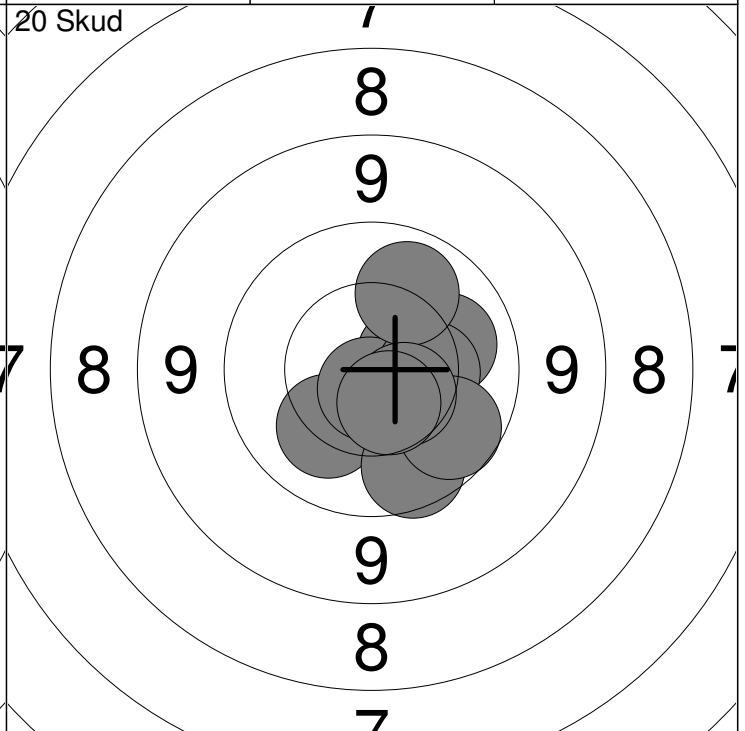
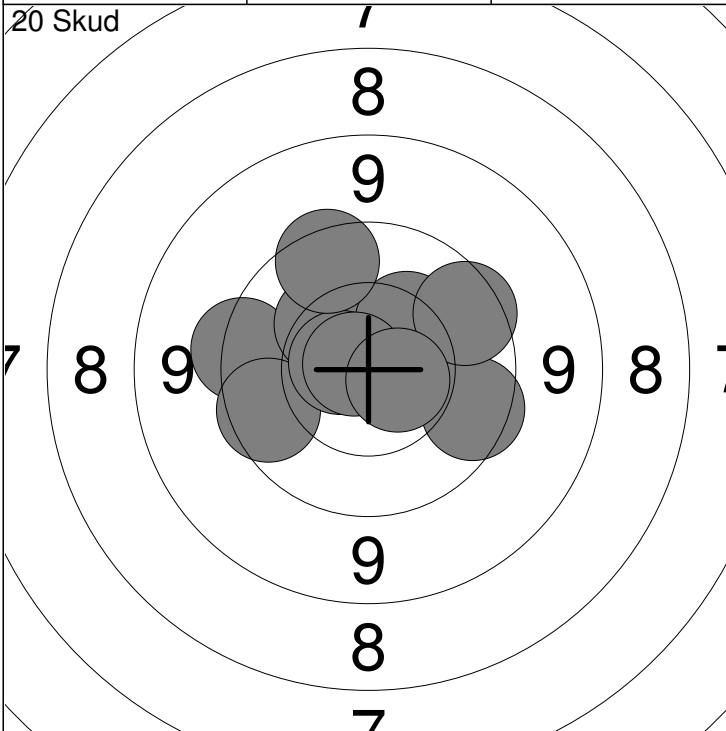
15 meter stævne 2016

Aalborg Skyttekreds



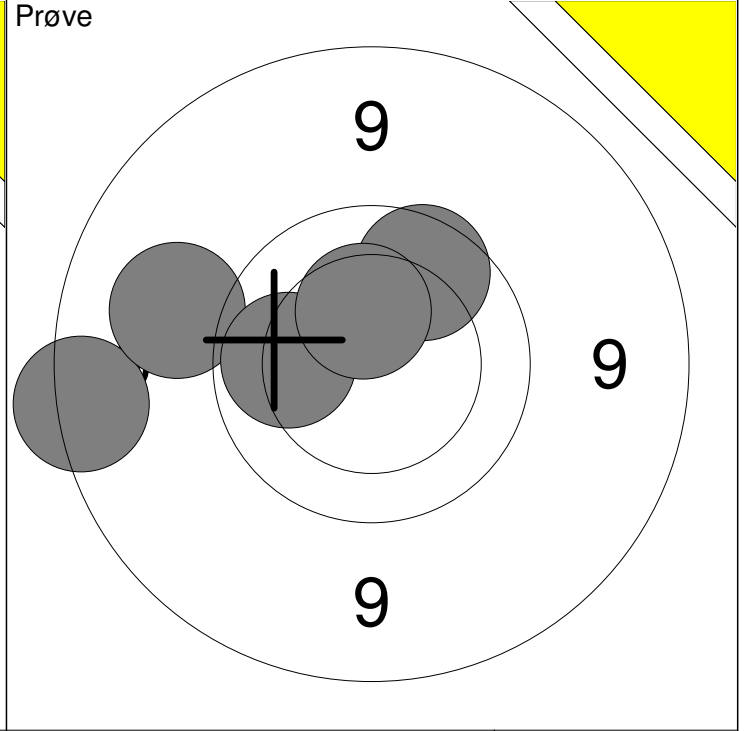
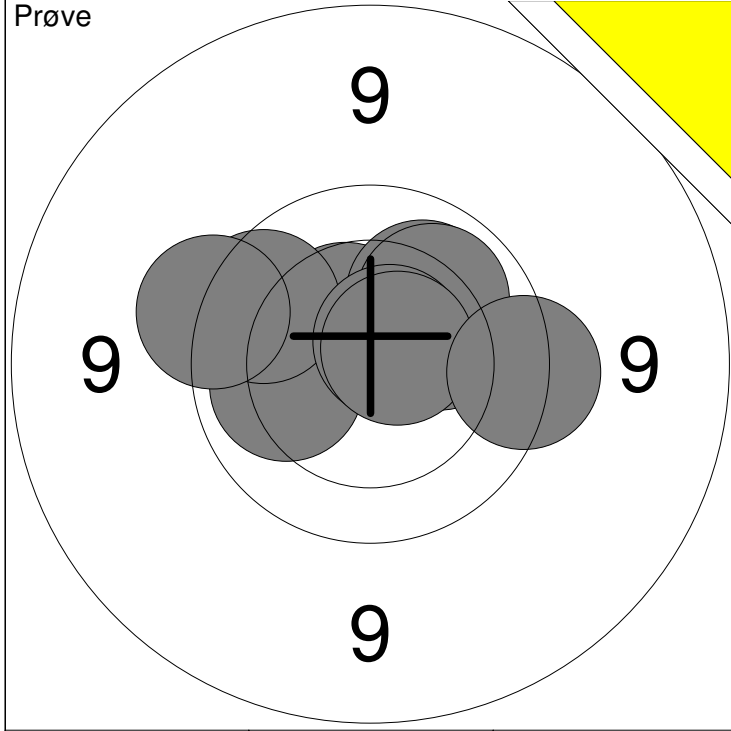
1: 10.1 ↘	6: 10.4 →	Serie	98
2: 10.1 →	7: 9.9 ↙		
3: 10.0 ←	8: 10.6x →	Total	0
4: 10.1 ←	9: 9.5 ↗		
5: 10.2 ↗	10: 10.7x ↙		

11: 9.6 ↘	16: 10.6x →	Serie	58
12: 10.4 ↖	13: 9.2 ↘		
14: 10.4 ←	15: 10.4 ↗	Total	0



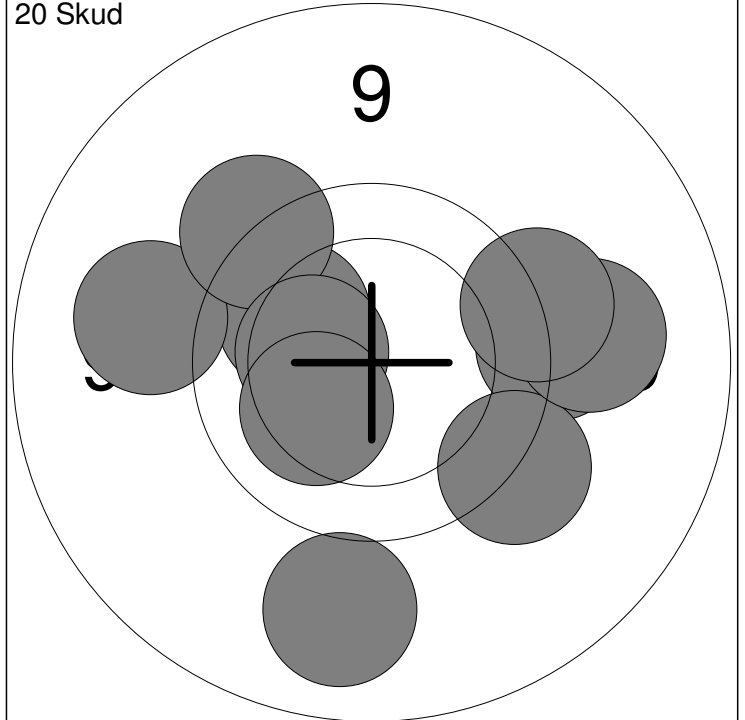
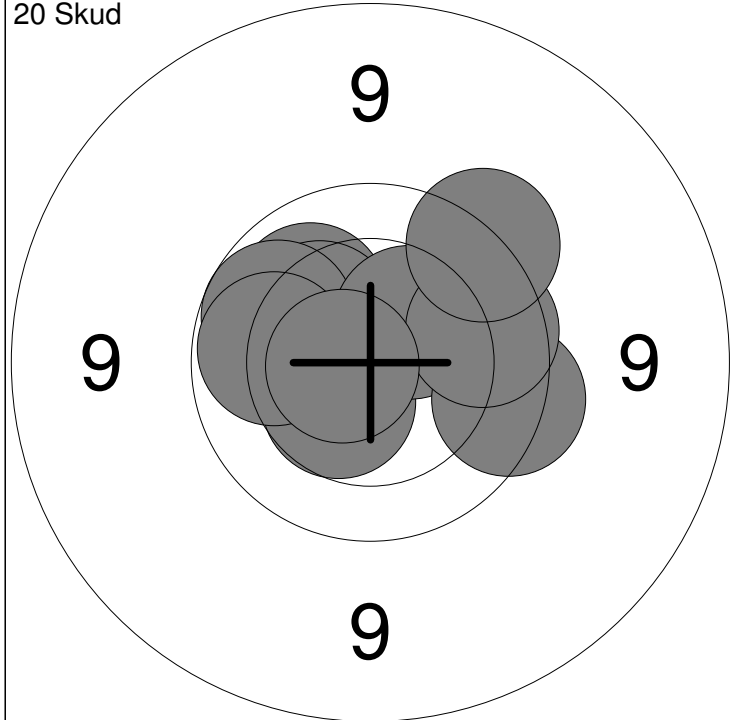
1: 9.6 ←	6: 10.6x ←	Serie	95
2: 9.8 ←	7: 10.8x ←		
3: 10.3 ↗	8: 9.8 ↗	Total	95
4: 10.3 ↗	9: 9.7 ↗		
5: 9.8 →	10: 10.6x →		

11: 10.5 →	16: 10.4 →	Serie	98
12: 10.2 ↙	17: 9.9 ↙		
13: 9.8 ↘	18: 10.1 ↗	Total	193
14: 10.7x ↘	19: 10.5 ↘		
15: 10.1 →	20: 10.6 ↘		



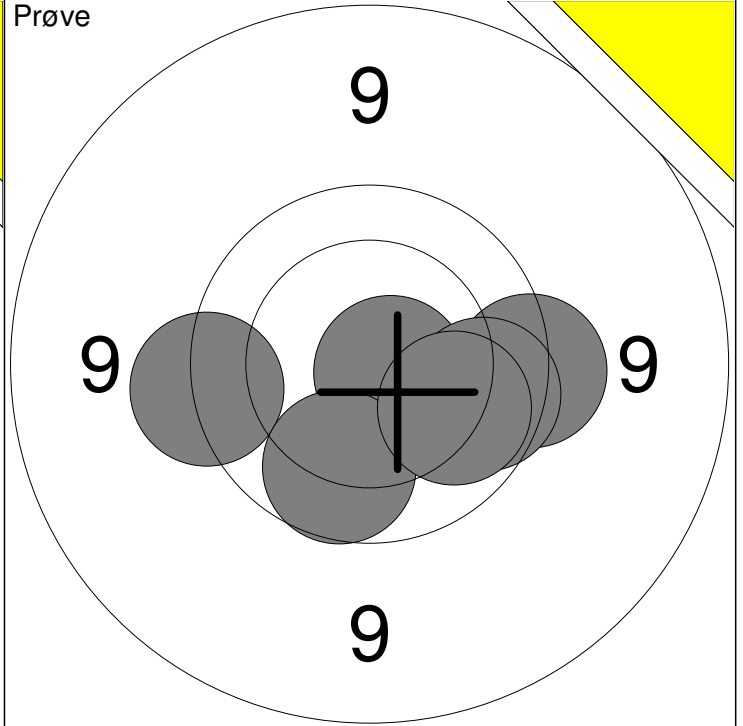
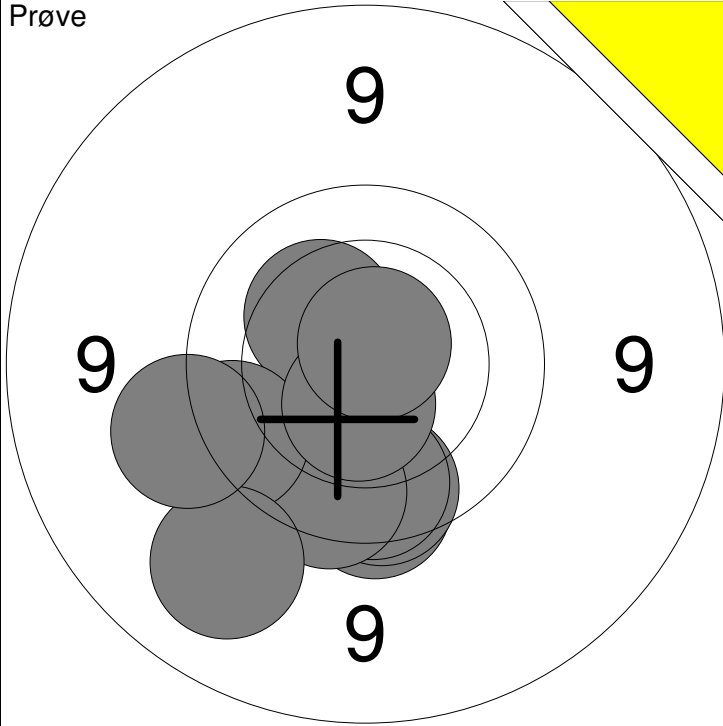
1: 10.5 ↖	6: 9.8 ↙	Serie	97
2: 10.1 ↗	7: 10.7x ↗		
3: 10.2 →	8: 9.6 ↙	Total	0
4: 10.1 ←	9: 10.6x ↗		
5: 10.1 ↗	10: 9.7 →		

11: 8.8 ←	Serie	46
12: 9.2 ↙		
13: 9.9 ↗	Total	0
14: 10.0 ←		
15: 10.4 ↗		



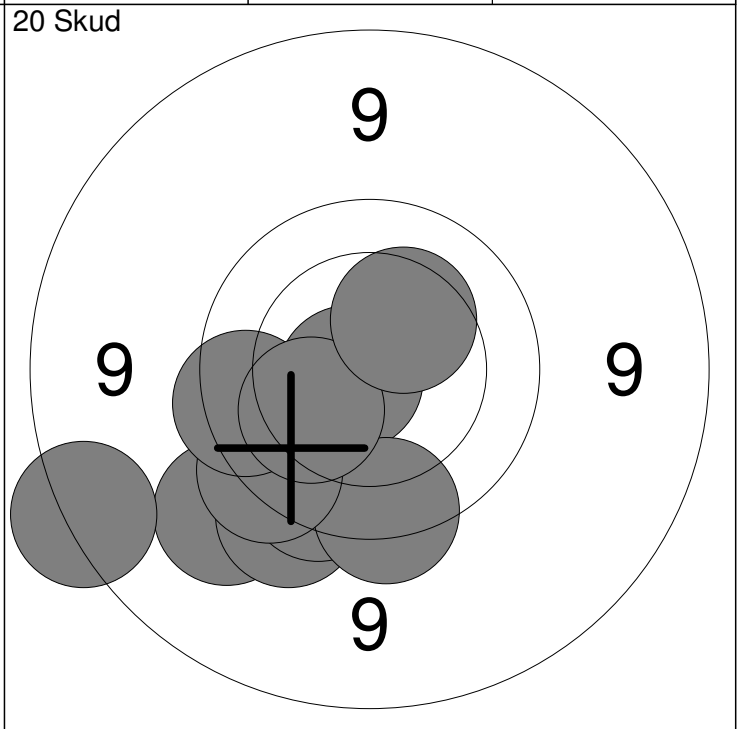
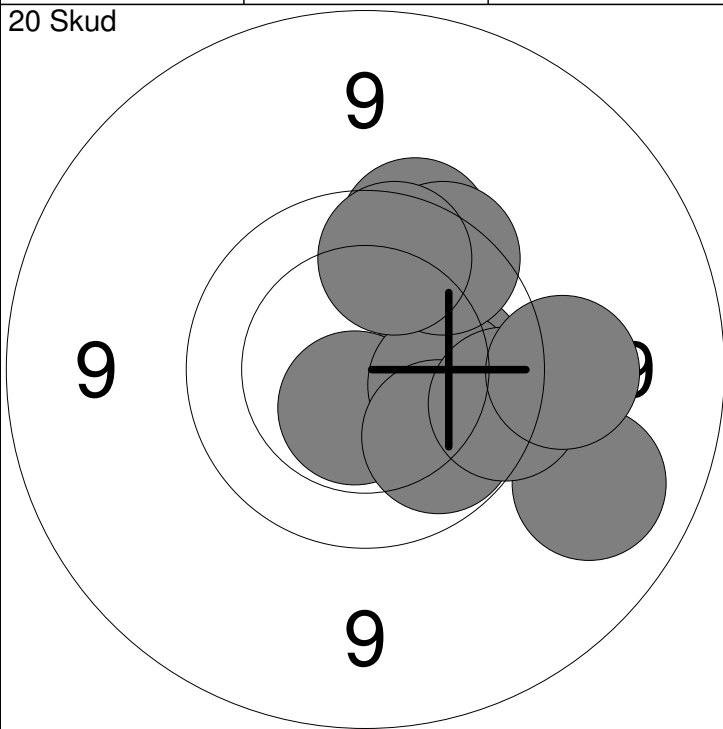
1: 10.1 ↖	6: 10.4 ↗	Serie	96
2: 10.3 ↗	7: 9.7 →		
3: 10.5 ↙	8: 9.9 →	Total	96
4: 9.9 ↖	9: 9.6 ↗		
5: 10.0 ←	10: 10.7x ←		

11: 10.1 ↖	16: 9.5 ↘	Serie	93
12: 9.1 ↓	17: 9.3 →		
13: 9.3 ↙	18: 10.4 ←	Total	189
14: 9.6 ↖	19: 10.2 ↙		
15: 9.5 →	20: 9.5 →		



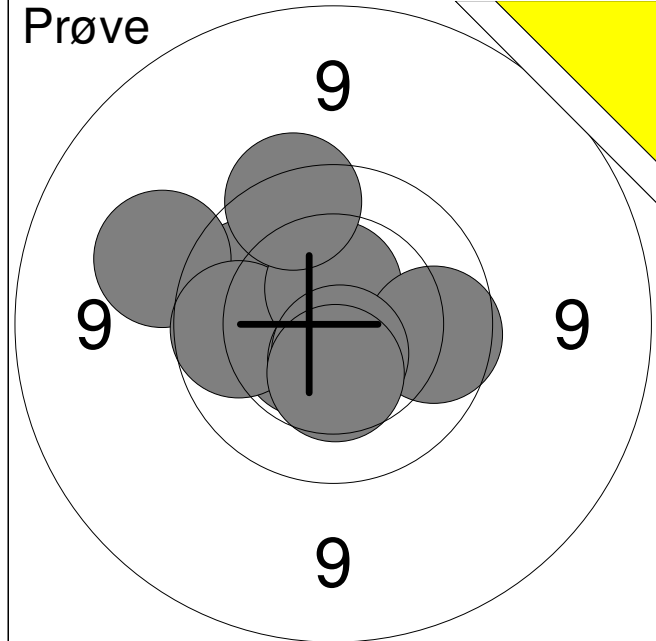
1: 9.7 ↓	6: 9.7 ←	Serie	93
2: 9.8 ↓	7: 9.2 ↙		
3: 9.9 ↓	8: 10.6x ↓	Total	0
4: 9.8 ↓	9: 10.7x ↗		
5: 10.3 ↖	10: 9.5 ←		

11: 9.6 ←	16: 10.0 ↗	Serie	56
12: 9.6 →			
13: 10.7x ↗		Total	0
14: 9.9 ↓			
15: 9.9 →			

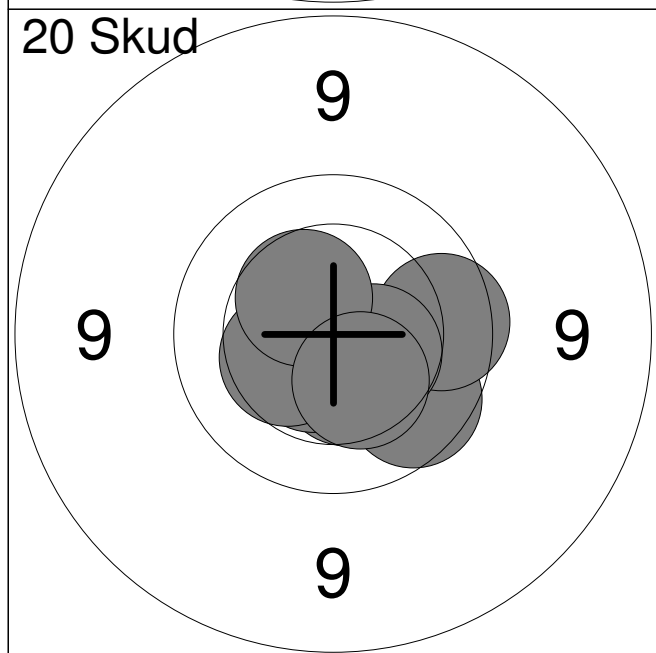


1: 10.1 →	6: 9.9 ↗	Serie	94
2: 10.6x ↓	7: 10.0 ↓		
3: 10.2 →	8: 9.1 ↘	Total	94
4: 9.7 ↗	9: 9.7 →		
5: 9.8 ↗	10: 9.4 →		

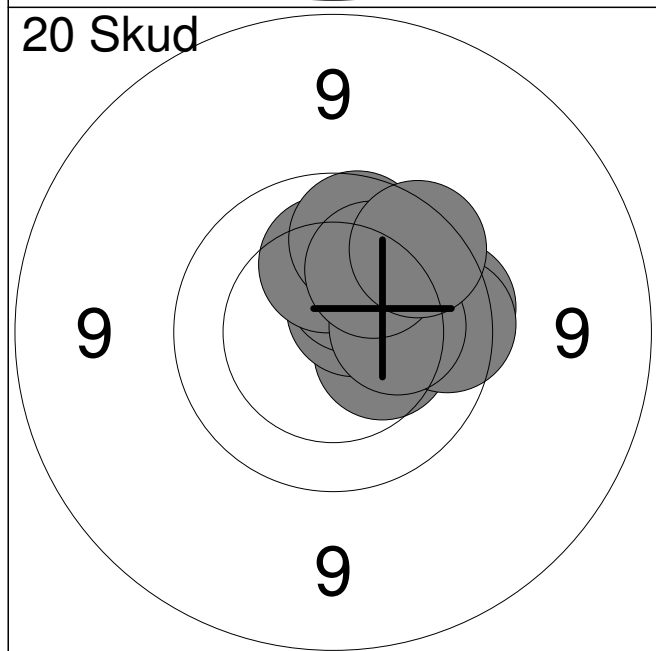
11: 10.7x ←	16: 8.7 ←	Serie	92
12: 9.3 ↙	17: 9.7 ↙		
13: 9.5 ↓	18: 9.8 ←	Total	186
14: 9.8 ↓	19: 10.2 ↙		
15: 9.7 ↓	20: 10.3 ↗		



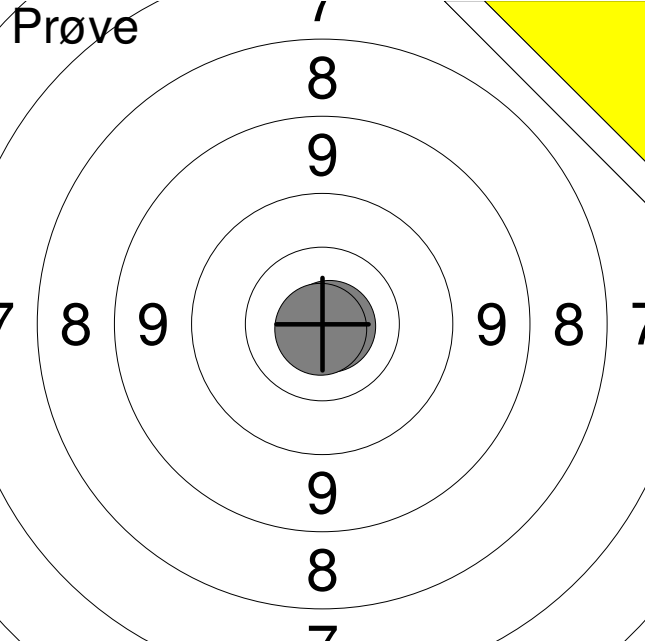
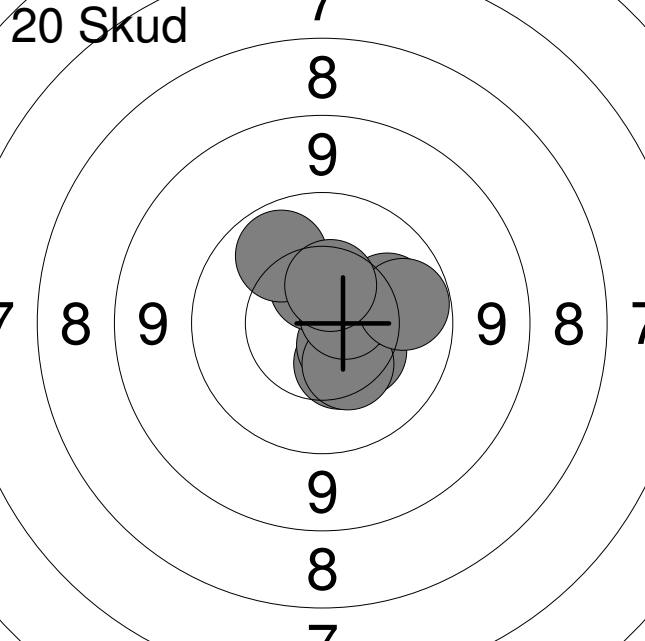
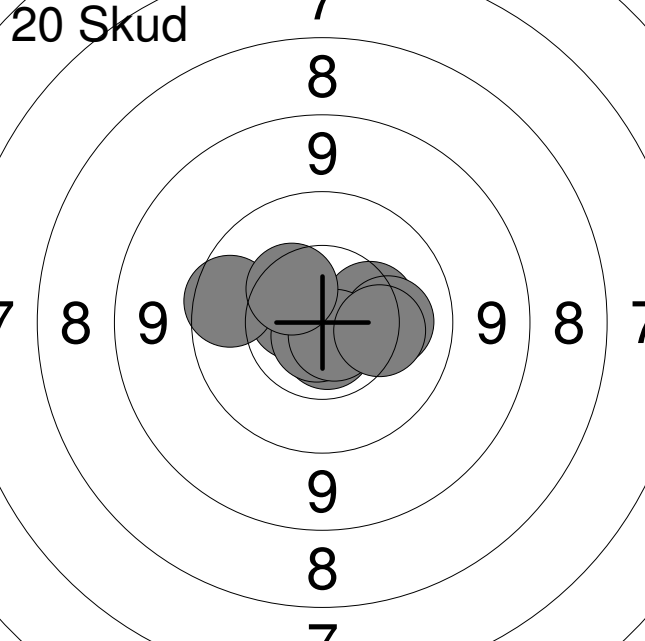
1:	10.0	↖
2:	10.6x	↙
3:	9.4	↖
4:	9.9	←
5:	10.6x	↑
6:	9.7	↑
7:	9.9	→
8:	10.5x	↓
9:	10.6x	↓
10:	10.4	↓
Serie		96.0
Total		0.0

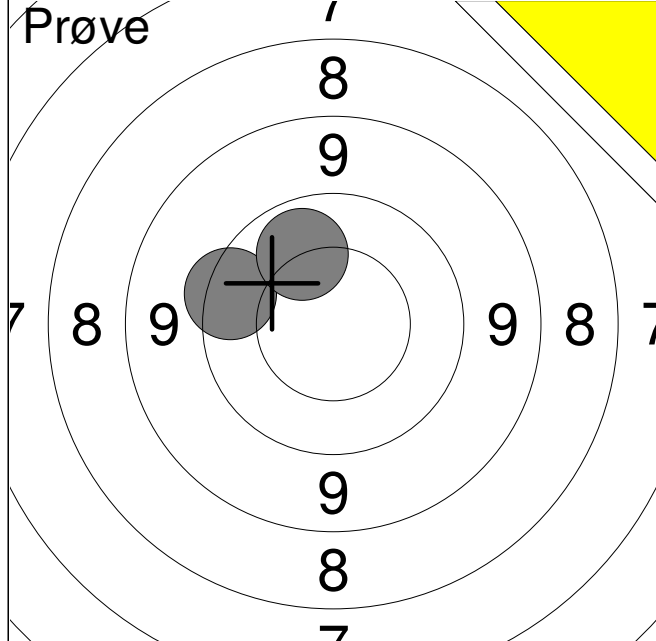


1:	10.4	↘
2:	10.4	↘
3:	9.9	↘
4:	9.8	→
5:	10.6x	↙
6:	10.6x	↓
7:	10.4	↖
8:	10.5	→
9:	10.4	↗
10:	10.4	↓
Serie		98.0
Total		98.0

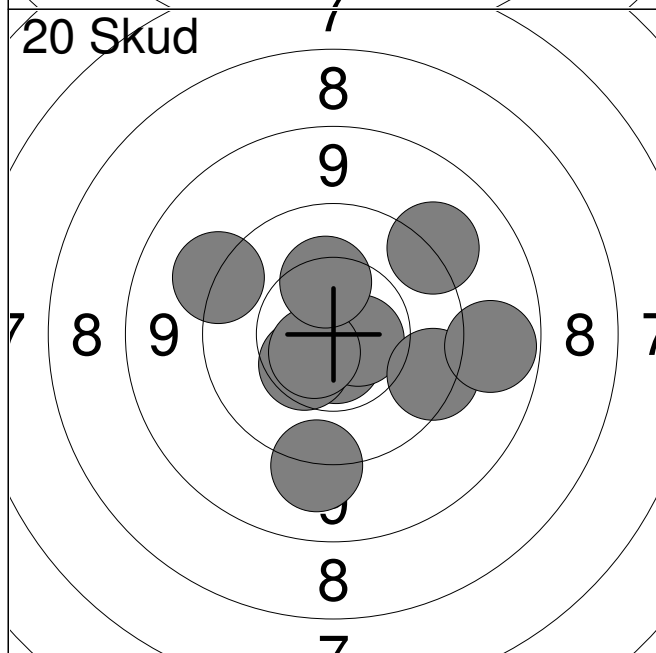


11:	10.4	↗
12:	9.8	→
13:	10.6x	↗
14:	10.4	↑
15:	10.2	↑
16:	9.8	→
17:	9.9	↑
18:	10.2	→
19:	10.1	↗
20:	9.8	↗
Serie		96.0
Total		194.0

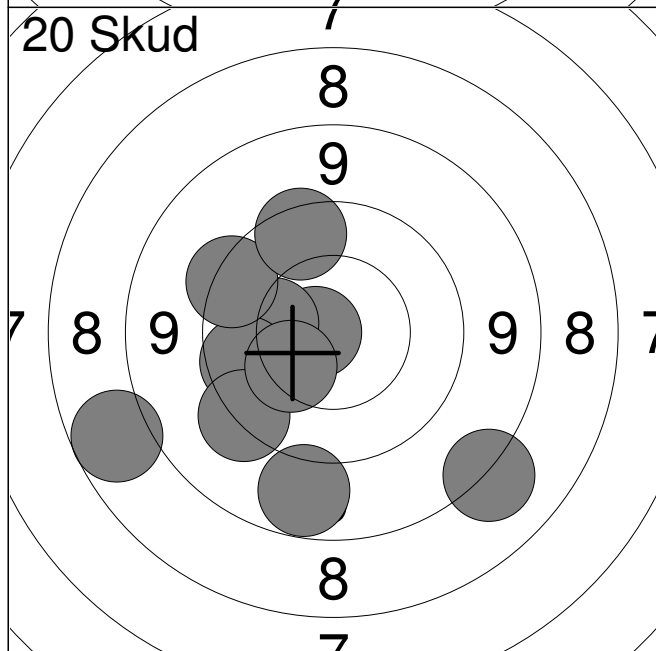
Hold 25	Skive 11	Hans Andersen	
AAS		Thisted Skyttekreds	MVÅ1
		15 meter stævne 2016	Aalborg Skyttekreds
Prøve 	1:	10.9x	→
	2:	10.9x	↓
	Serie		20.0
	Total		0.0
20 Skud 	1:	10.4	↘
	2:	10.4	↘
	3:	10.6x	↘
	4:	10.5	↑
	5:	10.4	↘
	6:	10.1	→
	7:	10.7x	→
	8:	10.0	↑
	9:	10.0	→
	10:	10.5	↑
Serie		100.0	
Total		100.0	
20 Skud 	11:	10.6x	←
	12:	10.7x	↓
	13:	10.9x	←
	14:	10.4	→
	15:	10.2	→
	16:	9.8	←
	17:	10.8x	↓
	18:	10.7x	↘
	19:	10.3	→
	20:	10.4	↑
Serie		99.0	
Total		199.0	



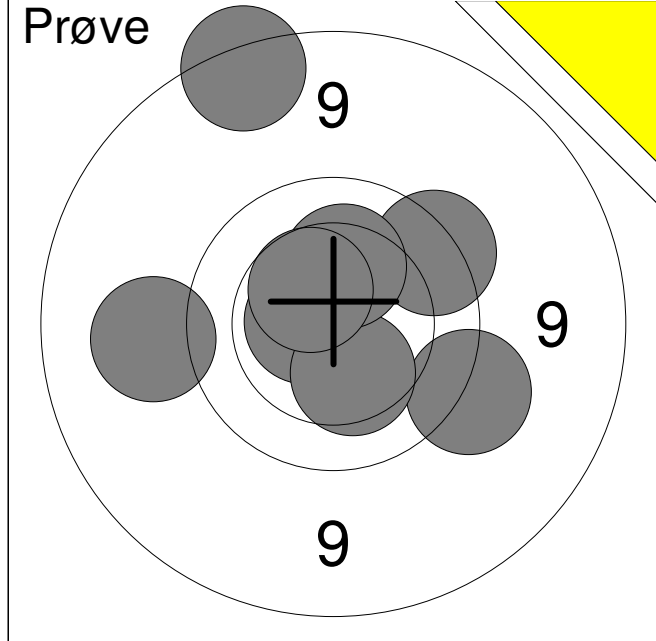
1:	9.7	←
2:	10.0	↑
Serie	19.0	
Total	0.0	



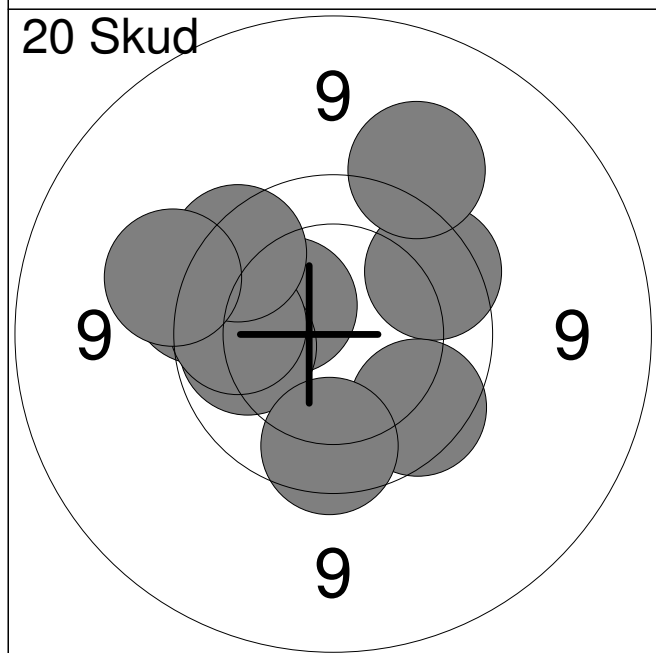
1:	10.7x	↓
2:	10.6x	→
3:	9.7	→
4:	10.5	↙
5:	10.6x	↙
6:	9.4	↖
7:	9.3	↗
8:	10.3	↑
9:	9.3	↓
10:	9.0	→
Serie	95.0	
Total	95.0	



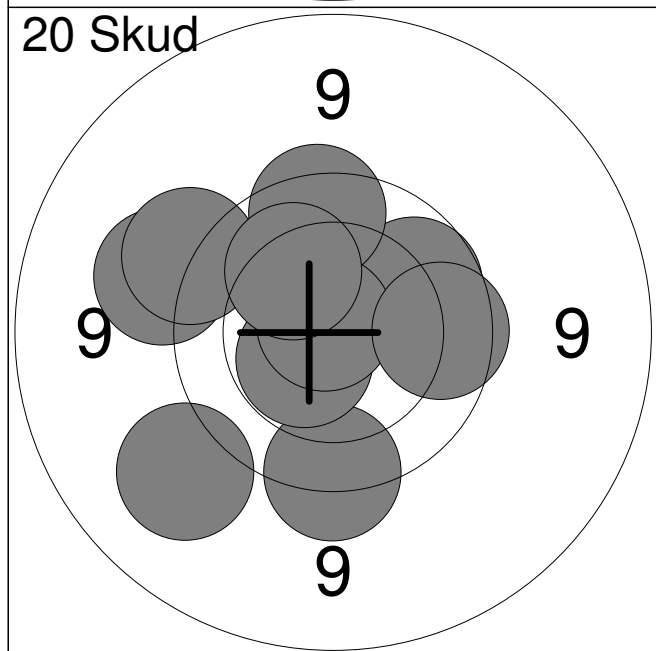
11:	10.7x	←
12:	10.2	←
13:	9.8	←
14:	9.5	↙
15:	10.3	↙
16:	9.0	↓
17:	7.9	←
18:	9.6	↖
19:	8.3	↘
20:	9.7	↑
Serie	90.0	
Total	185.0	



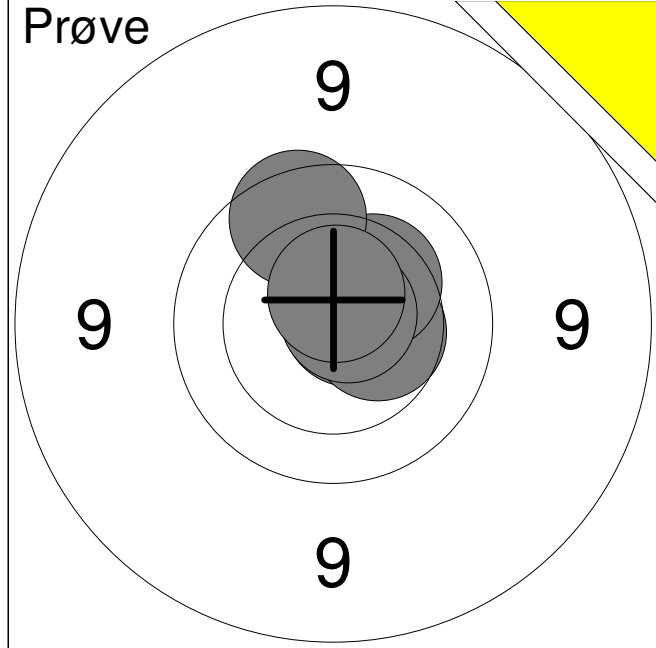
1:	9.5	↘
2:	8.8	↑
3:	10.6x	←
4:	9.3	←
5:	10.3	↓
6:	9.7	↗
7:	10.2	↑
8:	10.5	↗
Serie		75.0
Total		0.0



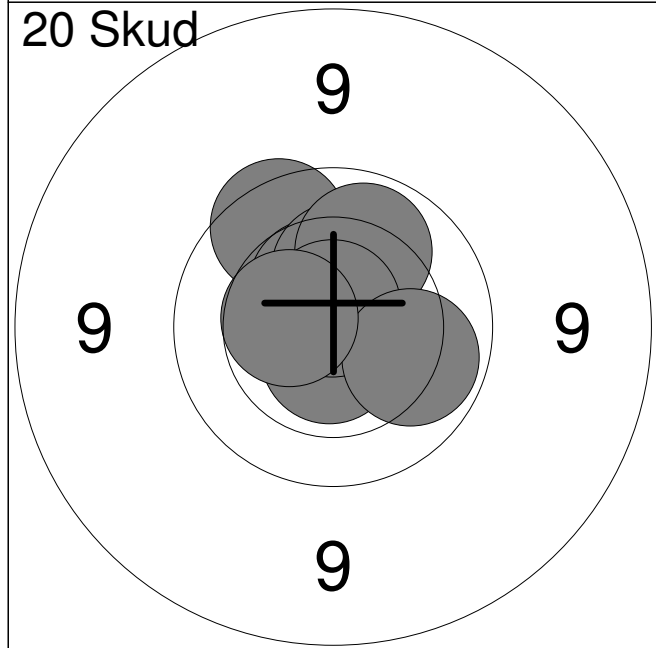
1:	9.6	←
2:	10.4	↗
3:	9.8	↗
4:	9.8	↓
5:	10.0	←
6:	9.9	←
7:	9.4	↗
8:	9.8	↓
9:	9.7	↗
10:	9.5	←
Serie		92.0
Total		92.0



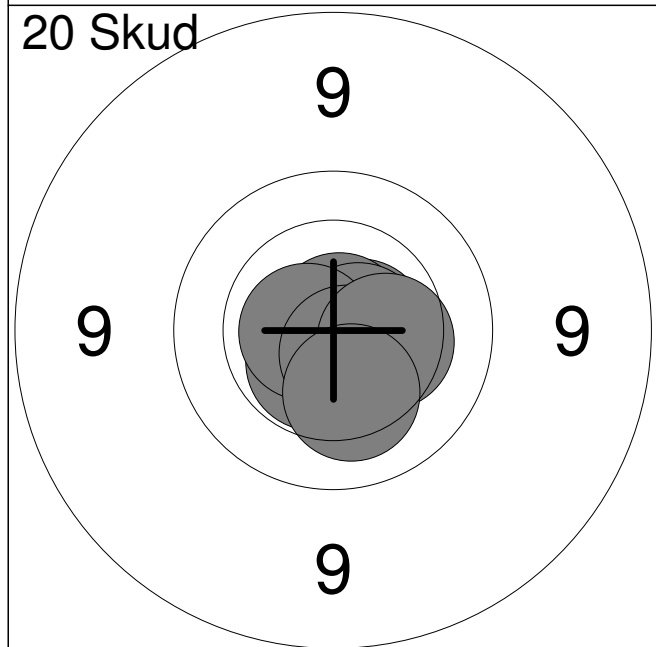
11:	9.2	↙
12:	9.4	←
13:	9.6	↓
14:	9.9	↗
15:	9.8	↑
16:	10.5x	↙
17:	10.8x	↗
18:	9.5	↗
19:	9.8	→
20:	10.1	↗
Serie		93.0
Total		185.0



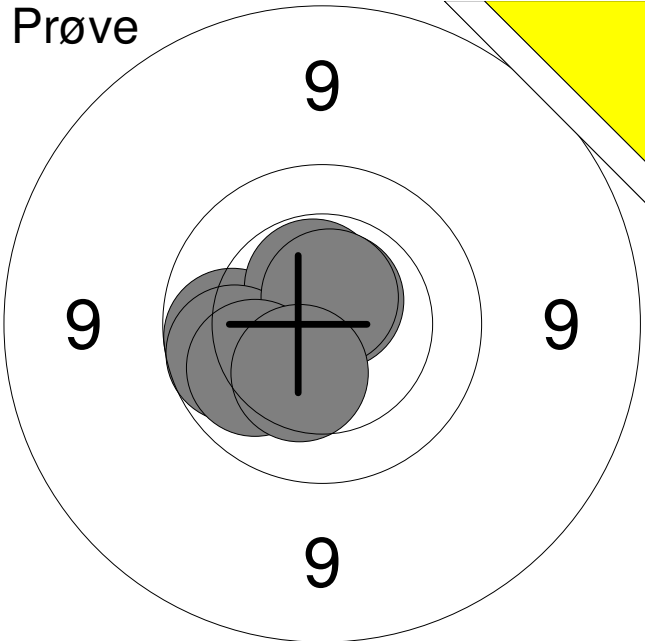
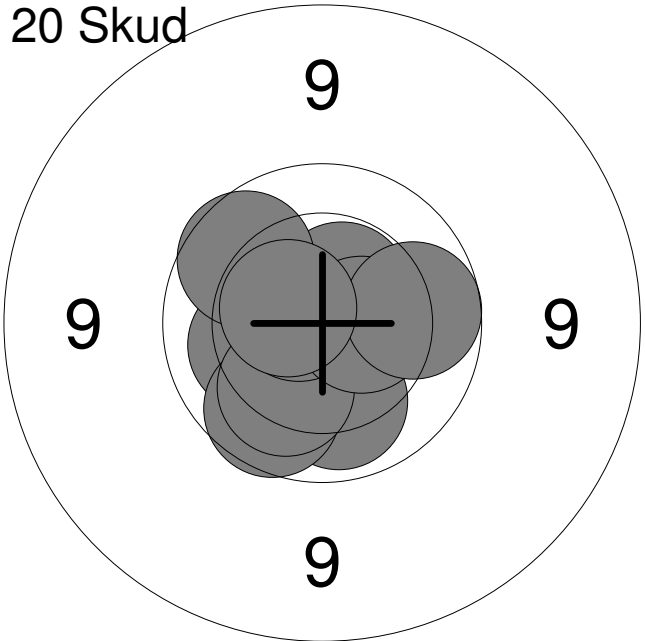
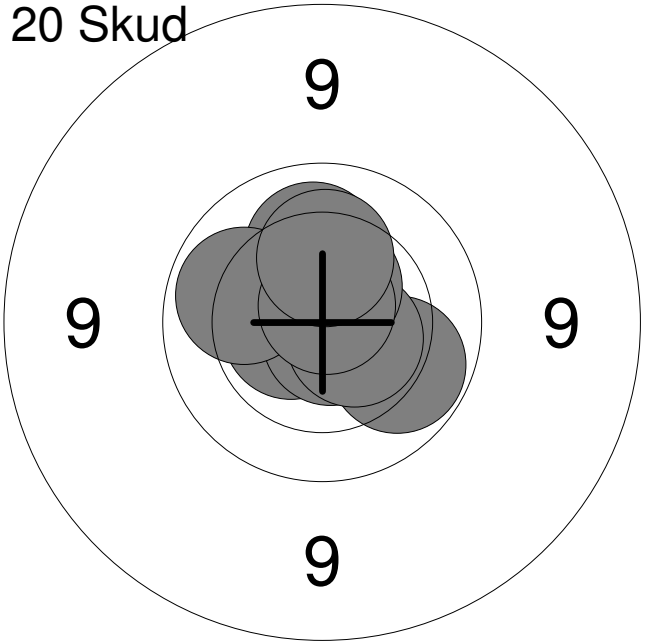
1:	10.7x	→
2:	10.5	→
3:	10.3	↗
4:	9.8	↑
5:	10.7x	↗
6:	10.6x	↑
Serie		59.0
Total		0.0

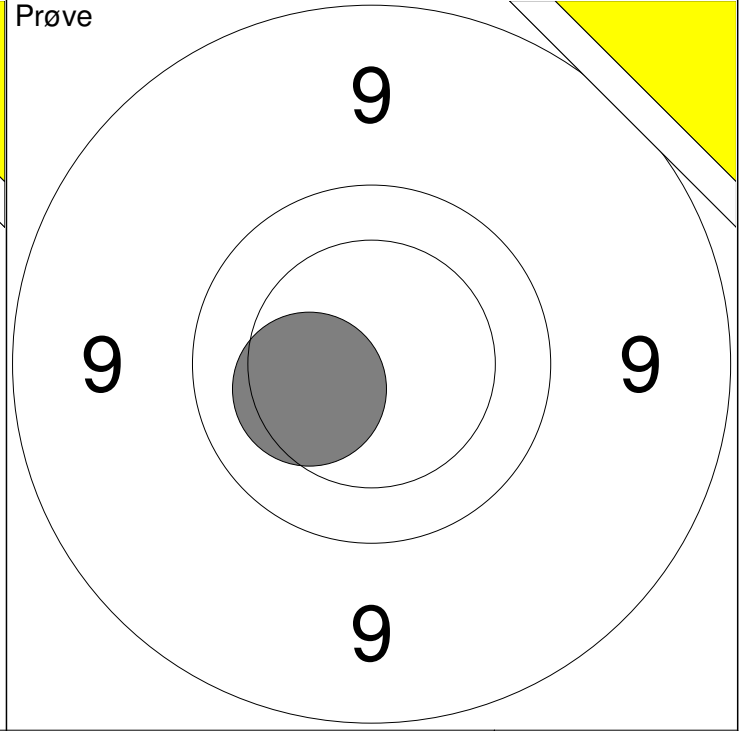
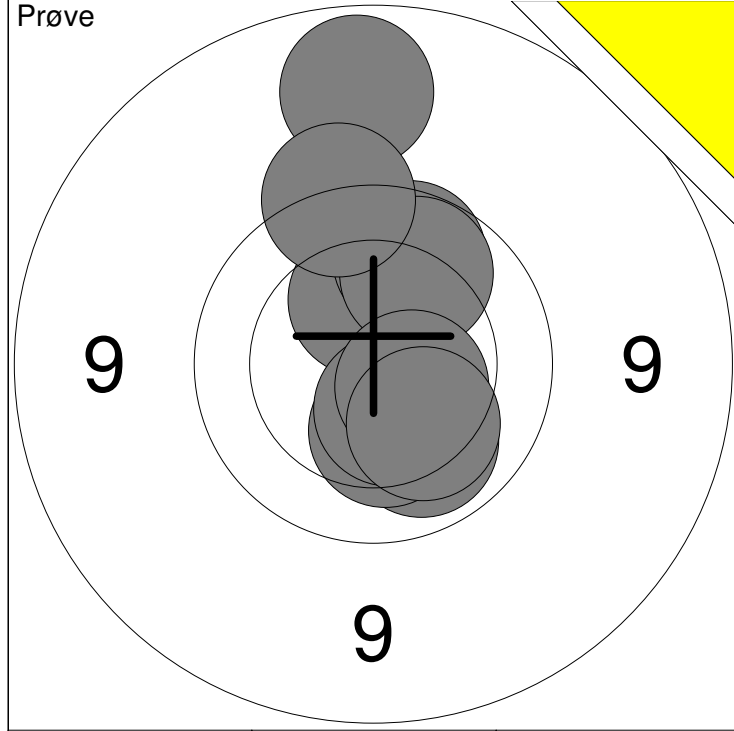


1:	10.6x	→
2:	10.6x	↓
3:	10.6x	↑
4:	9.8	↗
5:	10.5	↗
6:	10.3	↑
7:	10.1	↗
8:	10.7x	↑
9:	10.0	↘
10:	10.5	←
Serie		99.0
Total		99.0



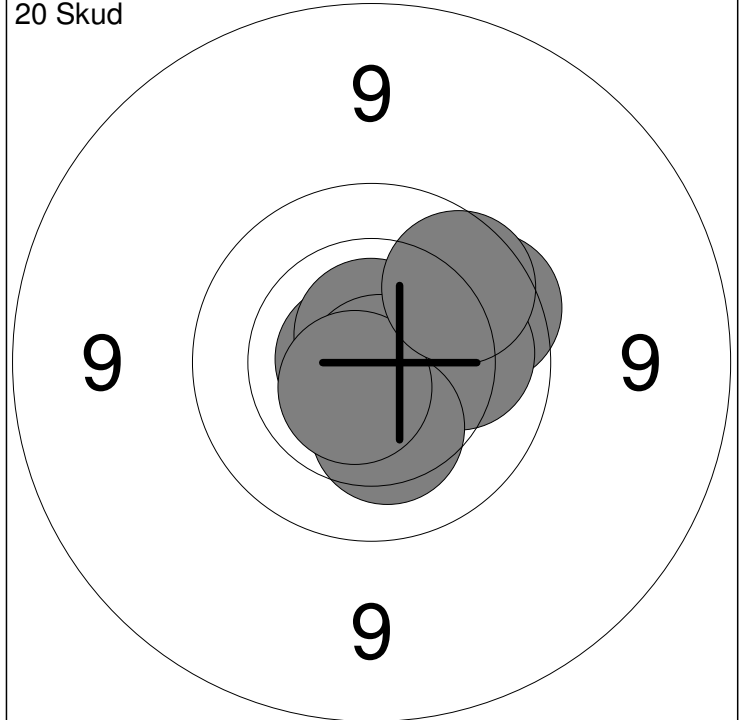
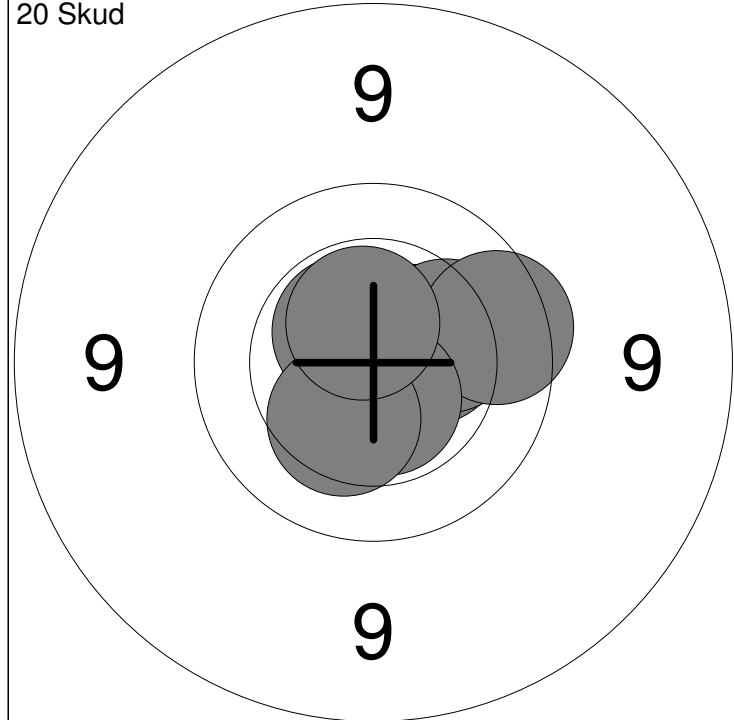
11:	10.7x	→
12:	10.8x	↓
13:	10.6x	↘
14:	10.5x	↓
15:	10.8x	↗
16:	10.7x	→
17:	10.7x	←
18:	10.6x	↘
19:	10.4	→
20:	10.2	↓
Serie		100.0
Total		199.0

Hold	Skive	Axel Aaes Christensen	
26	3		
AAS		Vodskov Skytteforening	BK1
		15 meter stævne 2016	Aalborg Skyttekreds
Prøve		1: 10.7x ↗	
		2: 9.9 ←	
		3: 10.5x ↑	
		4: 9.9 ←	
		5: 10.6x ↑	
		6: 10.1 ↙	
		7: 10.4 ↓	
		Serie	68.0
		Total	0.0
20 Skud		1: 10.2 ←	
		2: 10.1 ↓	
		3: 9.9 ↓	
		4: 10.1 ↓	
		5: 10.7x ↙	
		6: 10.5x ↗	
		7: 10.5x →	
		8: 9.9 →	
		9: 9.9 ↗	
		10: 10.5x ↙	
		Serie	97.0
		Total	97.0
20 Skud		11: 10.6x ↗	
		12: 10.1 ↑	
		13: 10.6x ←	
		14: 10.0 ↓	
		15: 10.8x ↓	
		16: 10.5x ↘	
		17: 10.0 ←	
		18: 10.5x ↑	
		19: 10.8x ↑	
		20: 10.2 ↑	
		Serie	100.0
		Total	197.0



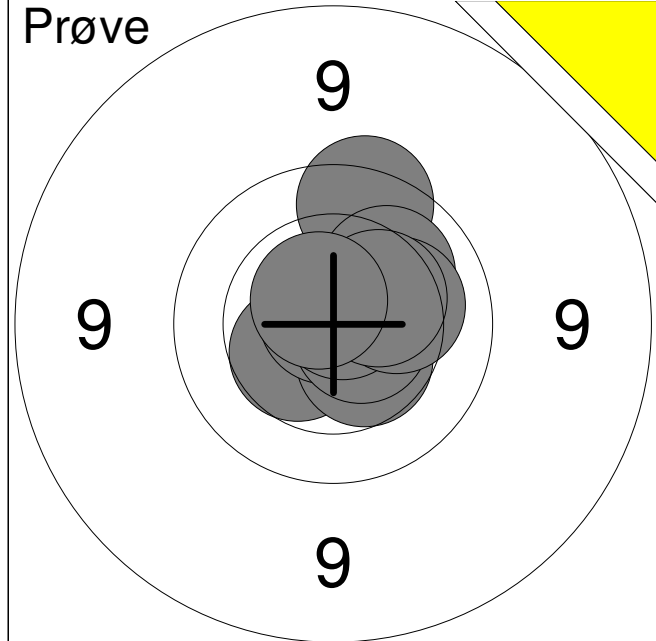
1: 9.0 ↑	6: 10.1 ↓	Serie 97
2: 10.3 ↑	7: 10.3 ↓	
3: 9.9 ↑	8: 10.5 ↓	Total 0
4: 10.0 ↑	9: 10.5x ↓	
5: 9.6 ↑	10: 10.2 ↓	

11: 10.3 ←	Serie 10
	Total 0

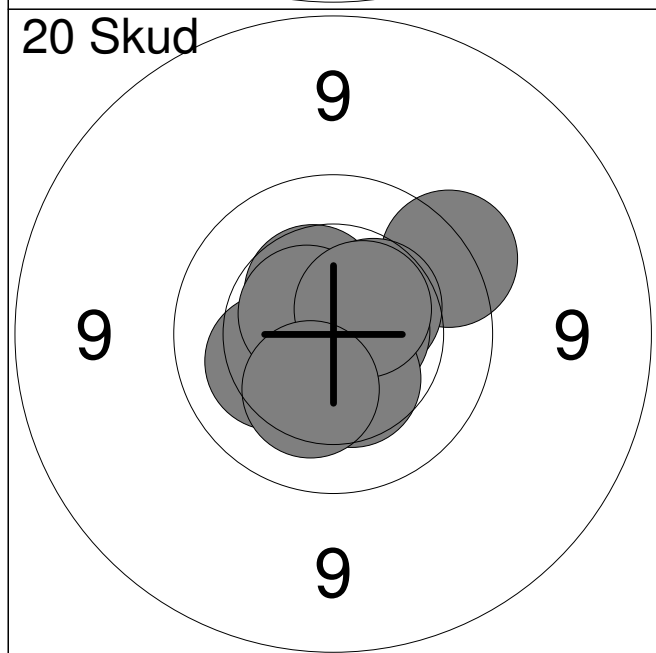


1: 10.4 →	6: 10.8x ↓	Serie 99
2: 10.5x ↗	7: 9.8 →	
3: 10.6x ↖	8: 10.6x ↓	Total 99
4: 10.2 →	9: 10.3 ↓	
5: 10.9x ↗	10: 10.6x ↑	

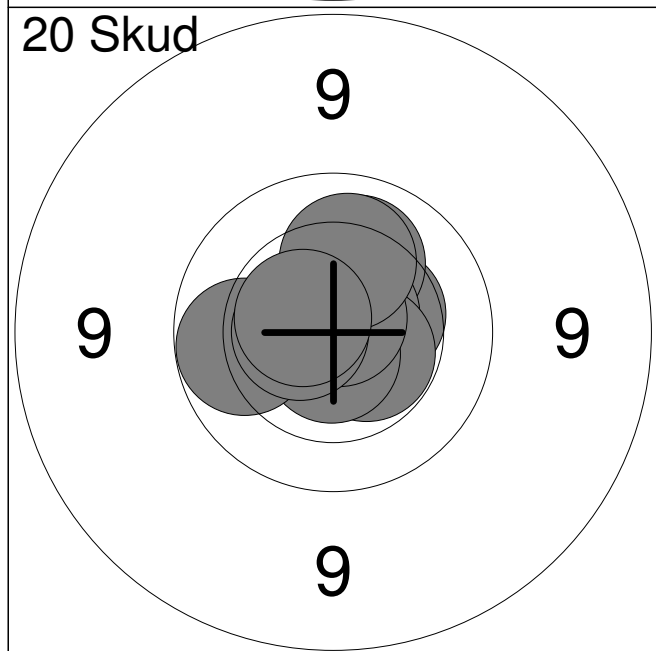
11: 10.4 →	16: 10.8x ↓	Serie 98
12: 9.8 →	17: 10.1 →	
13: 10.8x ←	18: 10.3 ↓	Total 197
14: 10.8x ↓	19: 10.7x ↓	
15: 10.7x ↑	20: 9.9 ↗	



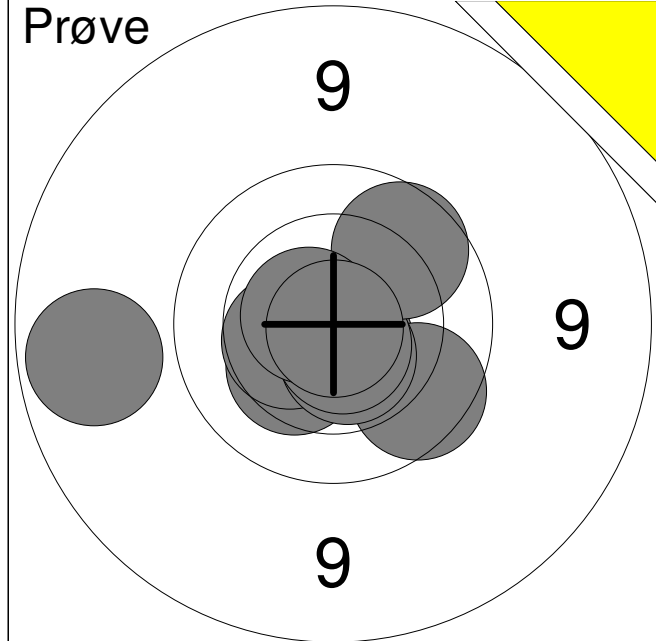
1:	9.7	↑
2:	10.4	↙
3:	10.4	↘
4:	10.8x	↗
5:	10.6x	→
6:	10.1	↗
7:	10.8x	↗
8:	10.2	→
9:	10.4	↗
10:	10.6x	↗
Serie		99.0
Total		0.0



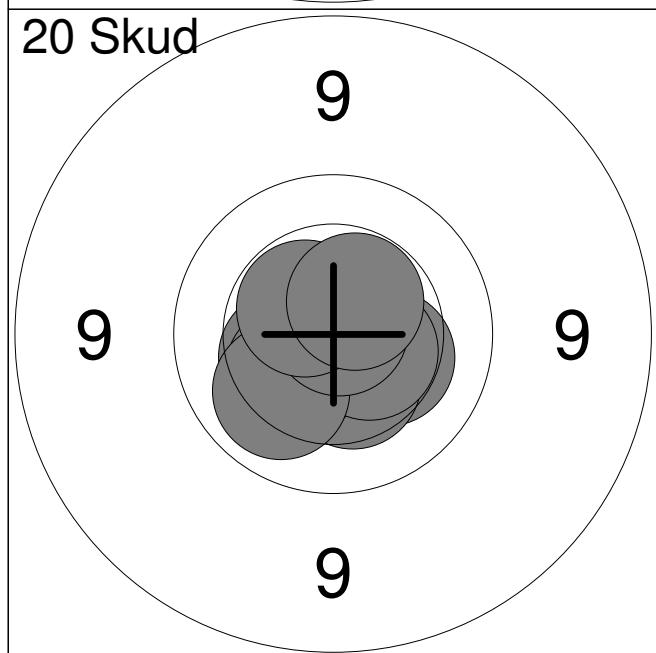
1:	9.6	↗
2:	10.2	↙
3:	10.9x	↘
4:	10.4	↗
5:	10.4	↗
6:	10.6x	→
7:	10.4	↘
8:	10.6x	↗
9:	10.5x	↗
10:	10.3	↘
Serie		99.0
Total		99.0



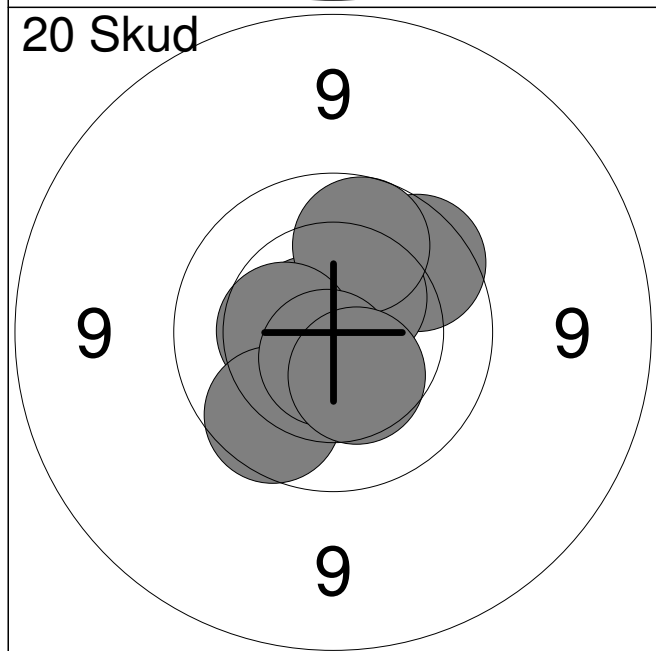
11:	10.4	→
12:	10.1	↑
13:	10.7x	↗
14:	10.5x	↘
15:	10.7x	↓
16:	10.0	↙
17:	10.8x	↗
18:	10.6x	↙
19:	10.2	↑
20:	10.6x	↙
Serie		100.0
Total		199.0



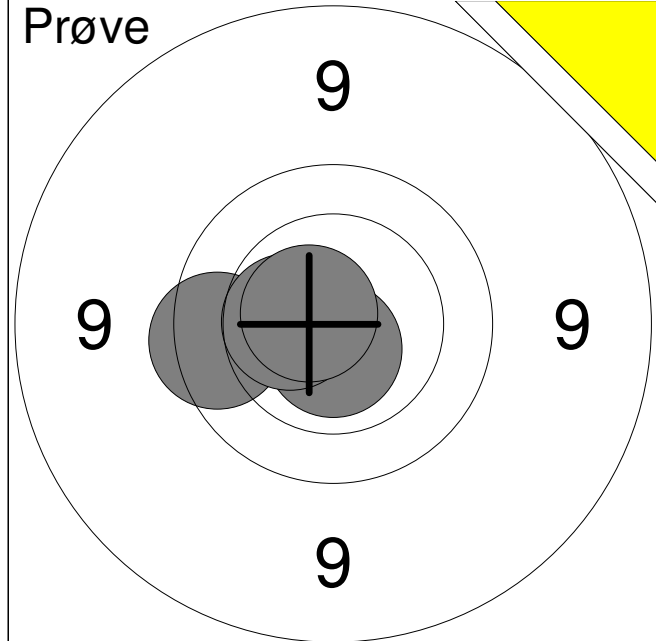
1:	9.0	←
2:	10.7x	↓
3:	10.3	↘
4:	10.4	←
5:	9.8	↓
6:	10.6x	↓
7:	10.7x	↓
8:	9.9	↗
9:	10.7x	←
10:	10.9x	↓
Serie		97.0
Total		0.0



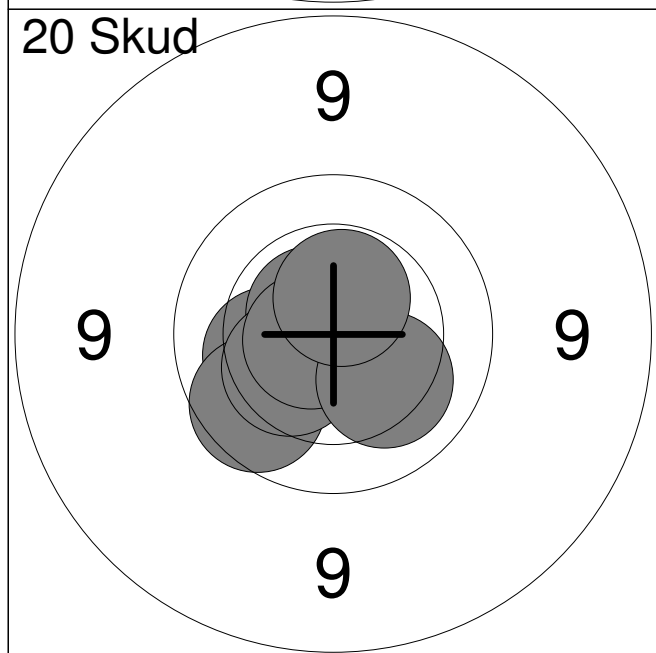
1:	10.3	↘
2:	10.4	↓
3:	10.8x	←
4:	10.4	←
5:	10.4	↘
6:	10.5x	↘
7:	10.1	↘
8:	10.8x	↗
9:	10.5x	↖
10:	10.5x	↗
Serie		100.0
Total		100.0



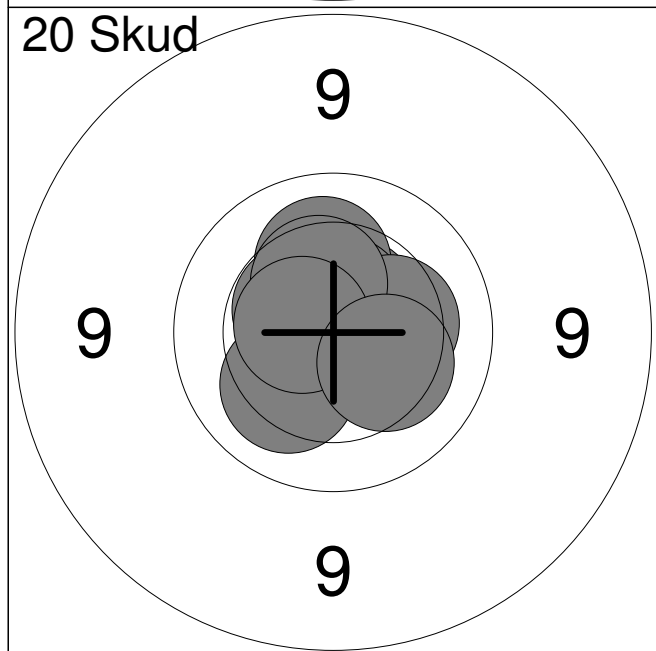
11:	10.7x	←
12:	9.8	↗
13:	10.5	←
14:	10.5	↗
15:	9.9	↑
16:	10.5x	↓
17:	10.4	←
18:	9.9	↘
19:	10.7x	↓
20:	10.4	↓
Serie		97.0
Total		197.0



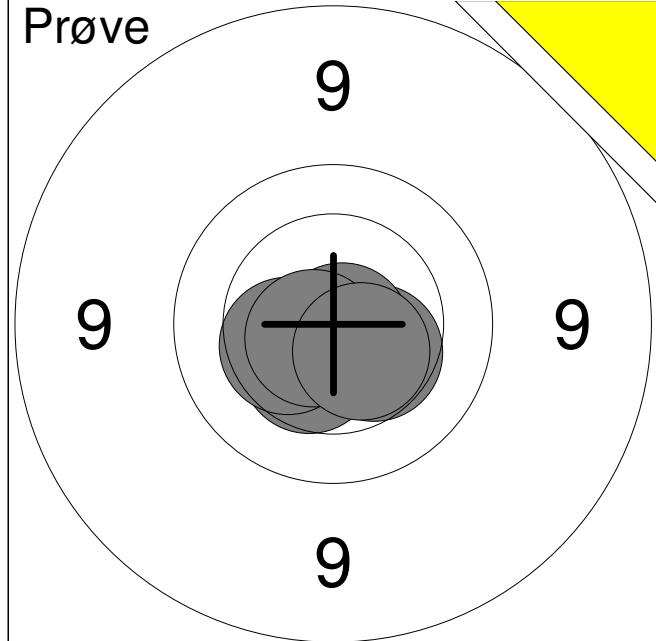
1:	10.7x	←
2:	10.7x	↓
3:	9.8	←
4:	10.5	←
5:	10.7x	↖
Serie		49.0
Total		0.0



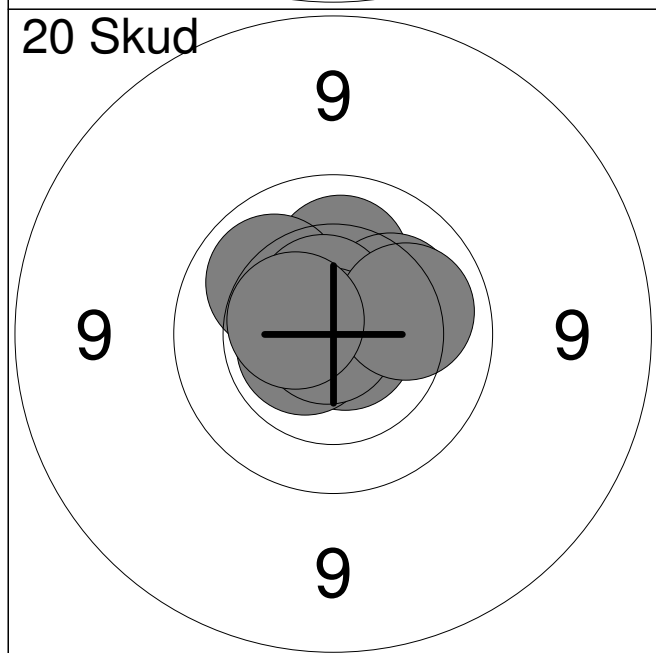
1:	10.2	←
2:	9.9	↙
3:	10.8x	↗
4:	10.6x	↗
5:	10.7x	↘
6:	10.3	↙
7:	10.9x	↗
8:	10.7x	←
9:	10.2	↘
10:	10.5x	↑
Serie		99.0
Total		99.0



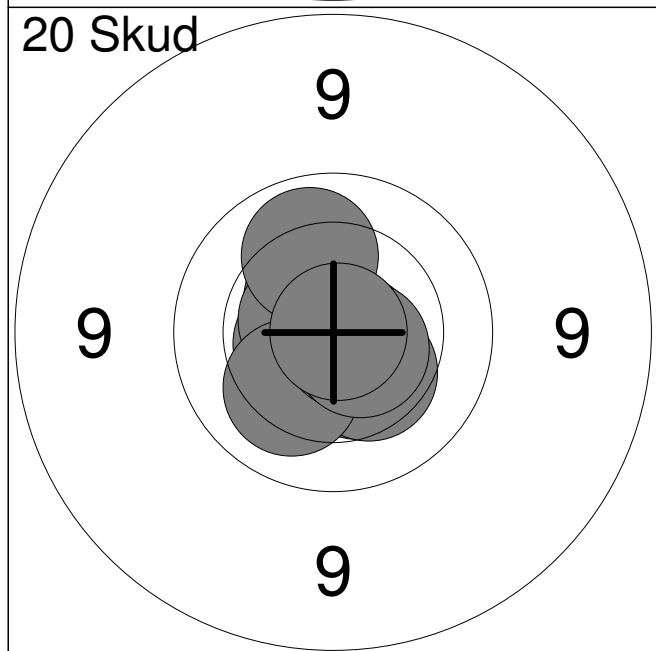
11:	10.6x	↗
12:	10.2	↑
13:	10.6x	↑
14:	10.8x	←
15:	10.3	→
16:	10.2	↙
17:	10.5x	↗
18:	10.4	↑
19:	10.6x	←
20:	10.3	↘
Serie		100.0
Total		199.0



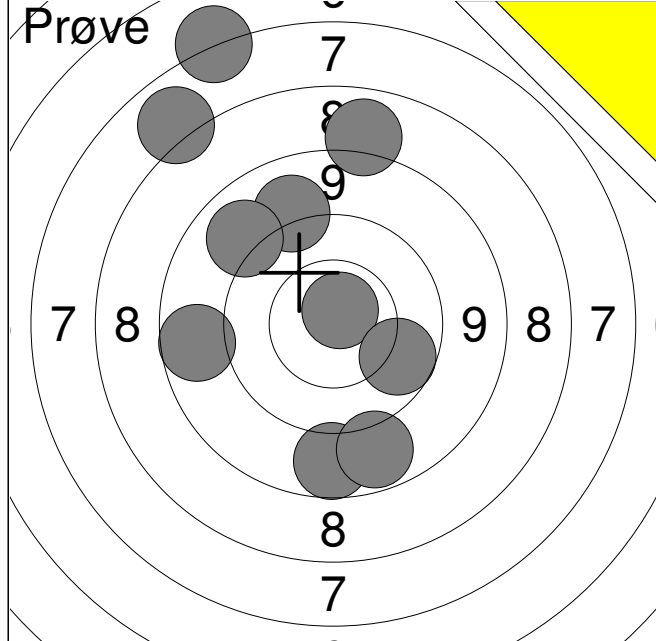
1:	10.4	↘
2:	10.4	←
3:	10.4	↘
4:	10.8x	↘
5:	10.7x	↙
6:	10.5x	↘
Serie		60.0
Total		0.0



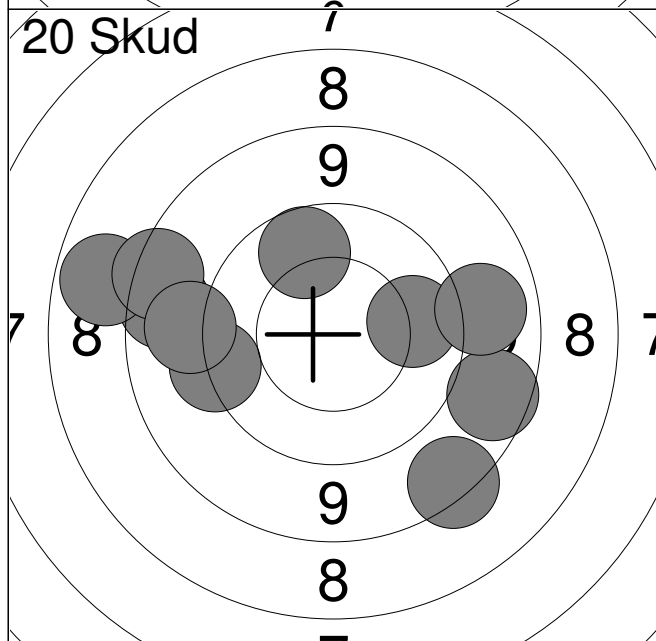
1:	10.4	↗
2:	10.8x	↘
3:	10.6x	←
4:	10.2	↑
5:	10.1	↗
6:	10.2	↗
7:	10.6x	↑
8:	10.9x	←
9:	10.1	→
10:	10.5x	←
Serie		100.0
Total		100.0



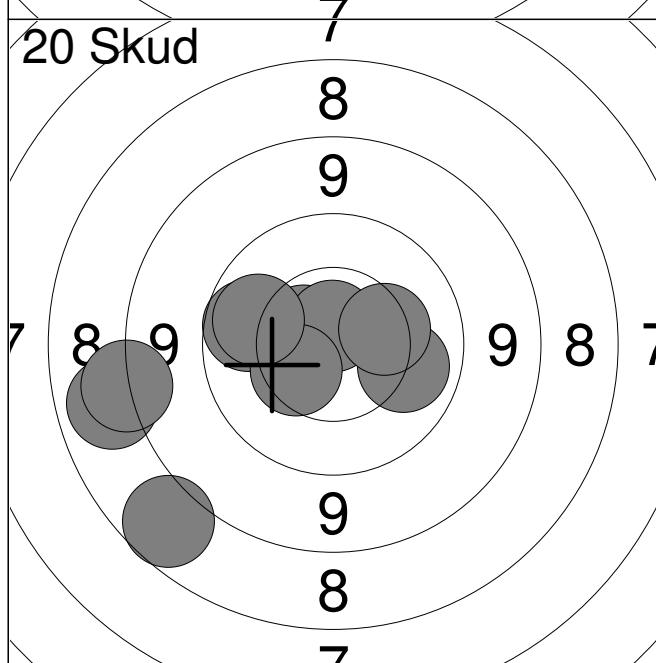
11:	10.5x	↗
12:	10.6x	←
13:	10.4	↘
14:	10.4	↘
15:	10.6x	↗
16:	10.2	↘
17:	10.7x	↘
18:	10.1	↑
19:	10.6x	↘
20:	10.9x	→
Serie		100.0
Total		200.0



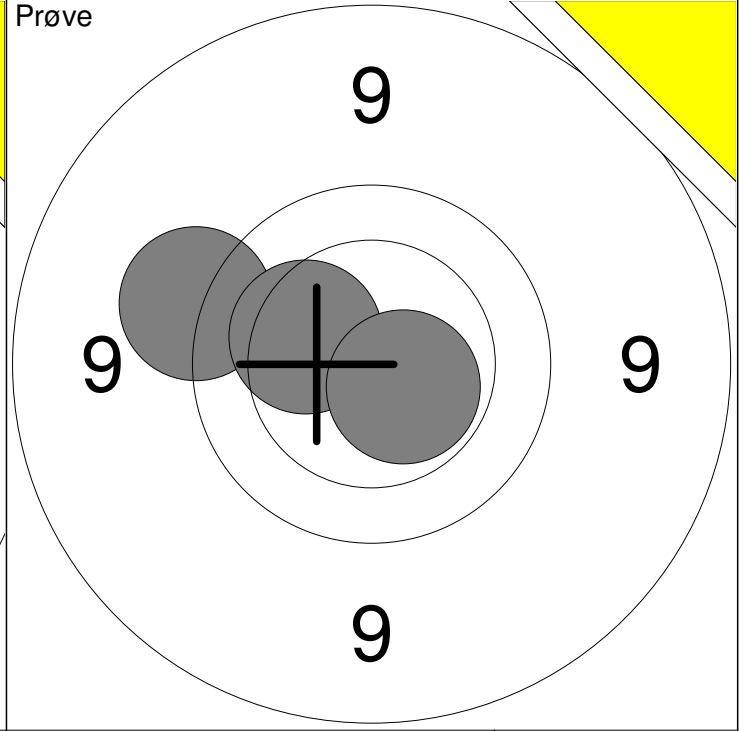
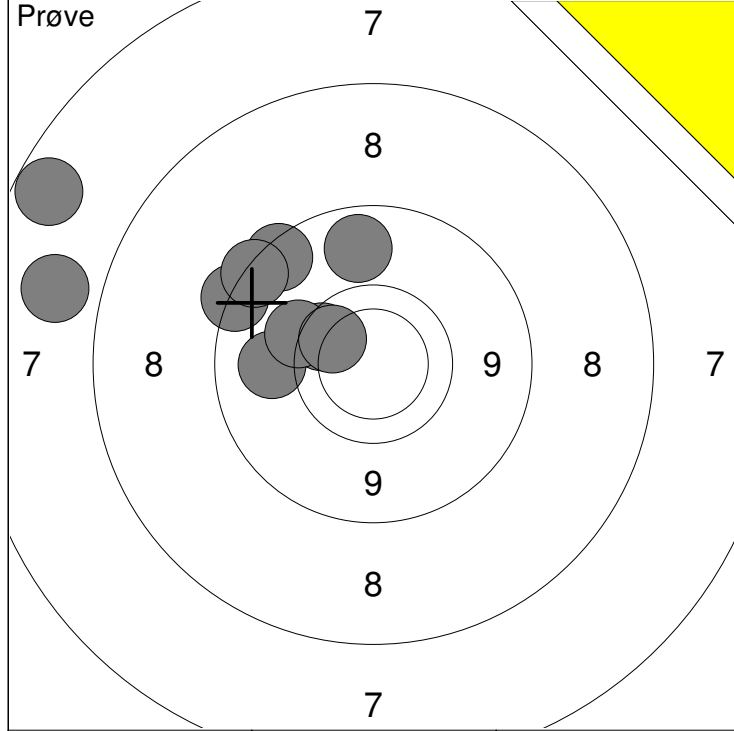
1:	8.1	↑
2:	6.3	↑
3:	7.1	↗
4:	8.9	↓
5:	9.2	↑
6:	9.1	↗
7:	9.0	↓
8:	8.9	←
9:	10.7x	↗
10:	9.9	↘
Serie		83.0
Total		0.0



1:	8.6	↘
2:	10.0	→
3:	8.8	↘
4:	8.8	←
5:	9.5	←
6:	9.9	↑
7:	8.0	←
8:	8.6	←
9:	9.2	←
10:	9.1	→
Serie		86.0
Total		86.0

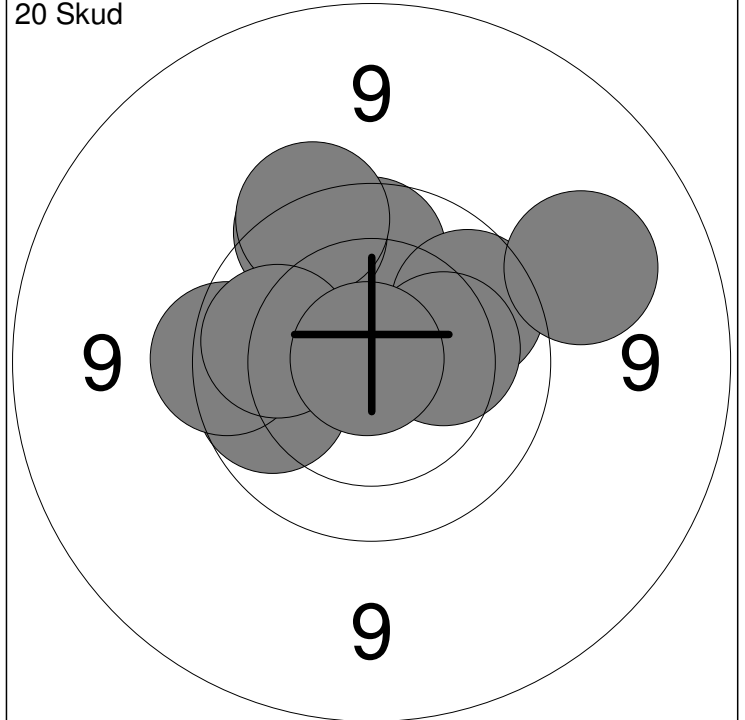
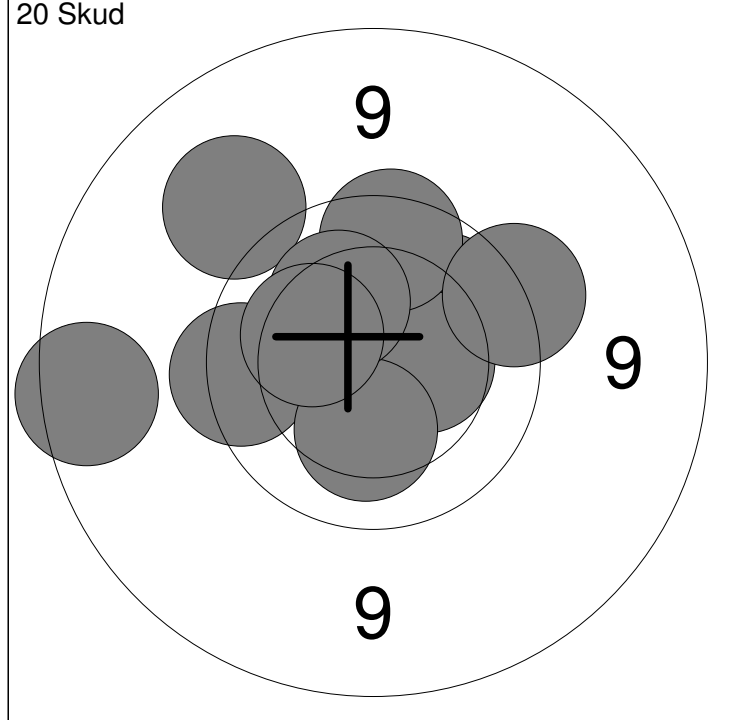


11:	7.9	↘
12:	10.1	→
13:	9.9	←
14:	8.1	←
15:	10.6	↖
16:	10.7x	↑
17:	10.4	↖
18:	10.3	→
19:	10.0	←
20:	8.3	←
Serie		92.0
Total		178.0



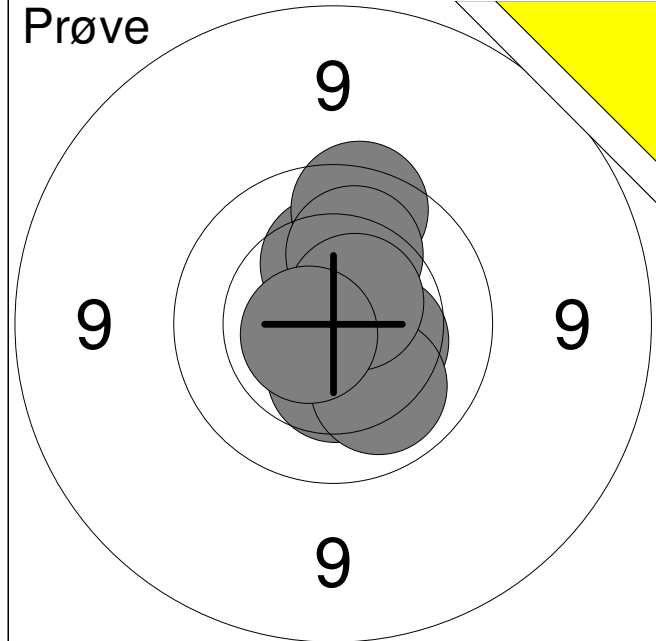
1: 7.0 ↖	6: 9.0 ↑	Serie	83
2: 7.3 ←	7: 9.8 ↖		
3: 8.8 ↗	8: 9.2 ←	Total	0
4: 8.7 ↗	9: 9.5 ↖		
5: 8.7 ↗	10: 9.9 ↗		

11: 9.5 ↖	Serie	29
12: 10.3 ↖		
13: 10.6x ↘	Total	0

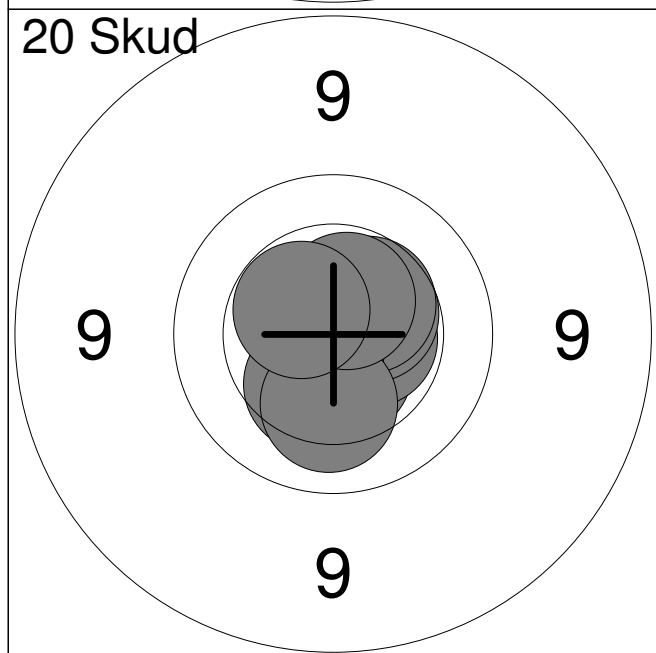


1: 10.0 ↗	6: 10.2 ↓	Serie	94
2: 8.8 ←	7: 9.8 ↑		
3: 9.3 ↗	8: 9.6 ↗	Total	94
4: 9.7 ←	9: 10.2 ↗		
5: 10.4 →	10: 10.2 ↖		

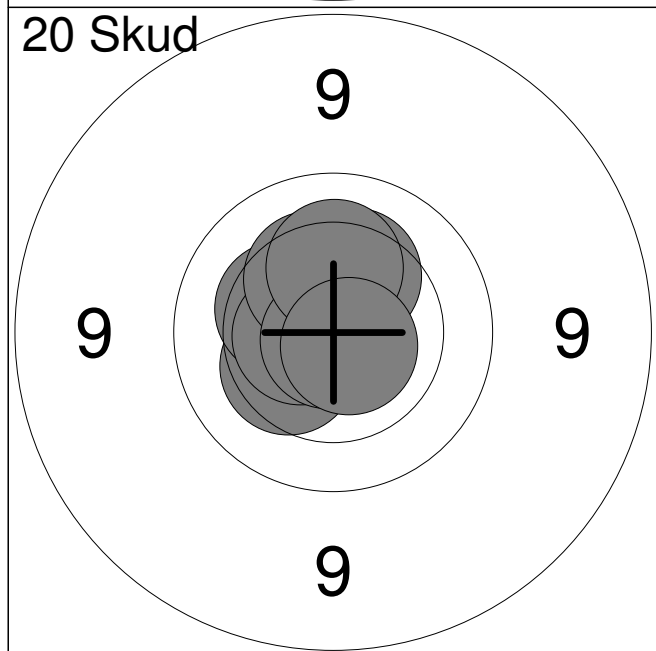
11: 9.9 ↑	16: 9.2 ↗	Serie	93
12: 9.9 ↗	17: 10.2 →		
13: 9.9 ←	18: 9.7 ↗	Total	187
14: 9.7 ←	19: 10.0 ↖		
15: 9.7 ↗	20: 10.9x ↖		



1:	10.3	↑
2:	10.4	↓
3:	10.4	→
4:	10.1	↓
5:	9.8	↑
6:	10.1	↑
7:	10.6x	↗
8:	10.7x	←
Serie		79.0
Total		0.0

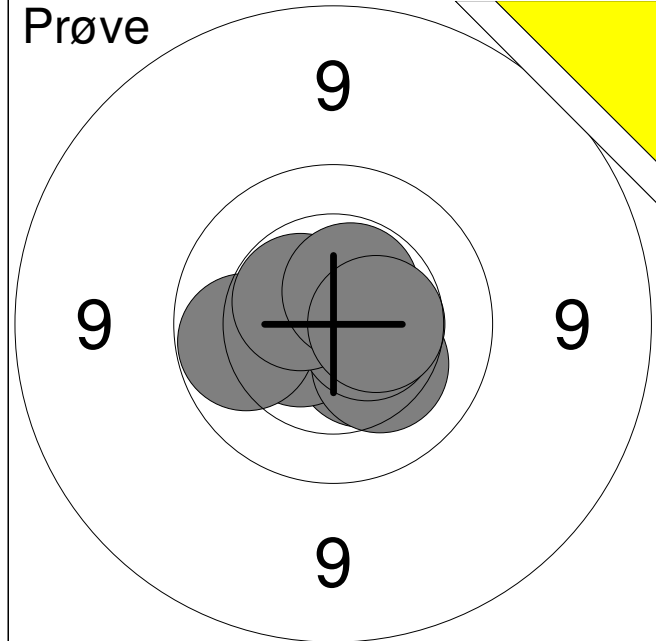


1:	10.5x	↓
2:	10.7x	↓
3:	10.6x	→
4:	10.5	↗
5:	10.4	↗
6:	10.8x	←
7:	10.3	↓
8:	10.2	↓
9:	10.6x	↑
10:	10.5x	↖
Serie		100.0
Total		100.0

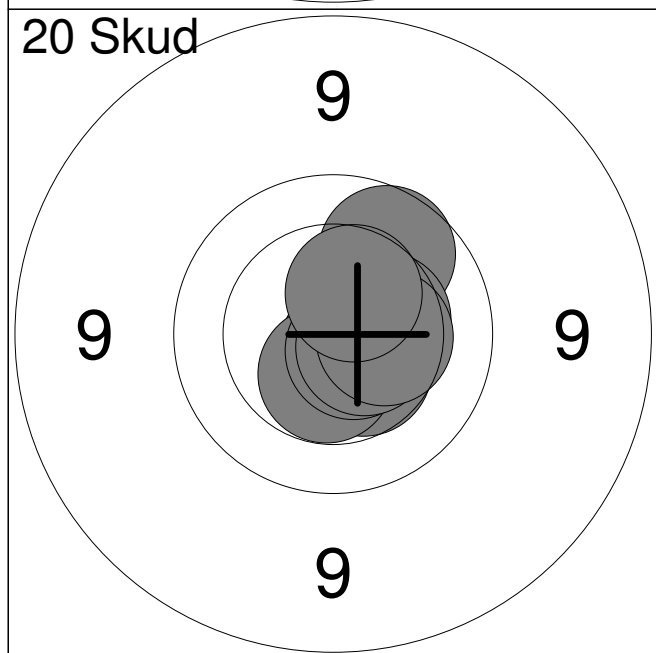


11:	10.3	↖
12:	10.8x	←
13:	10.3	↖
14:	10.9x	←
15:	10.3	↑
16:	10.6x	←
17:	10.3	↑
18:	10.9x	↓
19:	10.2	↑
20:	10.7x	↓
Serie		100.0
Total		200.0

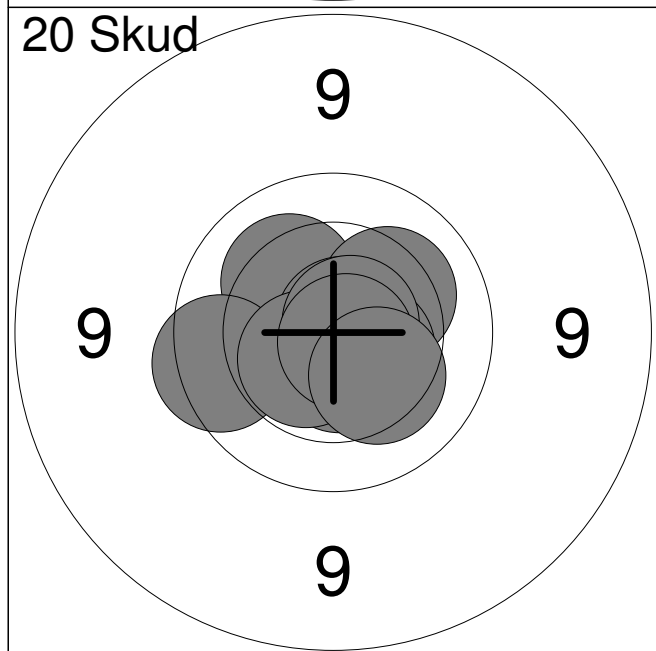
Hold	Skive		
27	1	Isabella Bonde	
AAS		Vodskov Skytteforening	MB3
		15 meter stævne 2016	Aalborg Skyttekreds
Prøve		1: 10.4	↓
		2: 9.8	↘
		3: 9.5	↘
		4: 10.1	↘
		5: 10.3	↗
		6: 10.6x	↘
		Serie	58.0
		Total	0.0
20 Skud		1: 9.9	←
		2: 10.8x	↗
		3: 10.1	↗
		4: 9.8	↗
		5: 10.4	↗
		6: 10.2	↘
		7: 9.9	→
		8: 10.4	←
		9: 10.4	↙
		10: 10.8x	←
		Serie	97.0
		Total	97.0
20 Skud		11: 9.2	↗
		12: 10.9x	↘
		13: 9.9	↘
		14: 10.1	↓
		15: 10.3	↘
		16: 10.1	↙
		17: 10.4	↗
		18: 10.1	↗
		19: 9.7	↗
		20: 10.5	→
		Serie	97.0
		Total	194.0



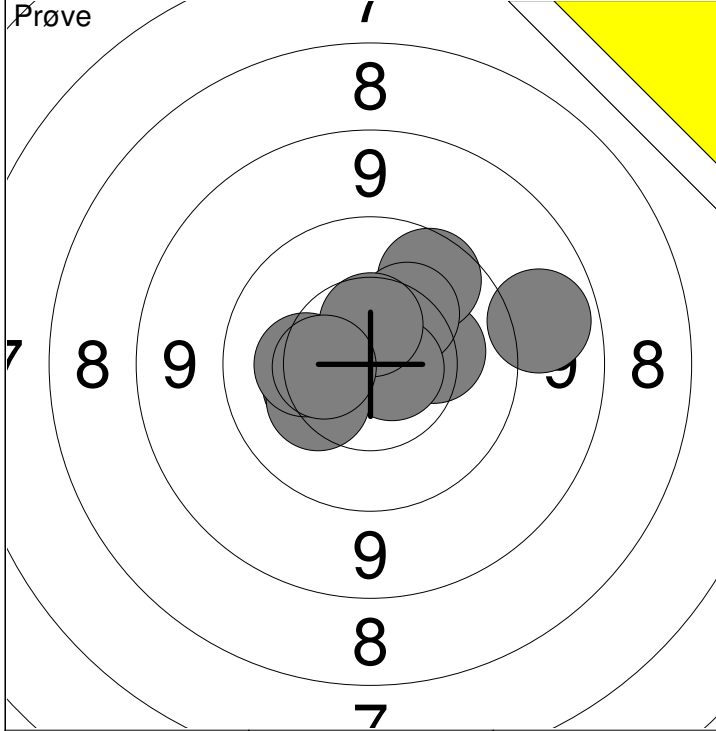
1:	10.4	↘
2:	10.6x	←
3:	10.3	↘
4:	10.6x	→
5:	10.0	←
6:	10.5x	↗
7:	10.5x	↗
8:	10.5	→
Serie		80.0
Total		0.0



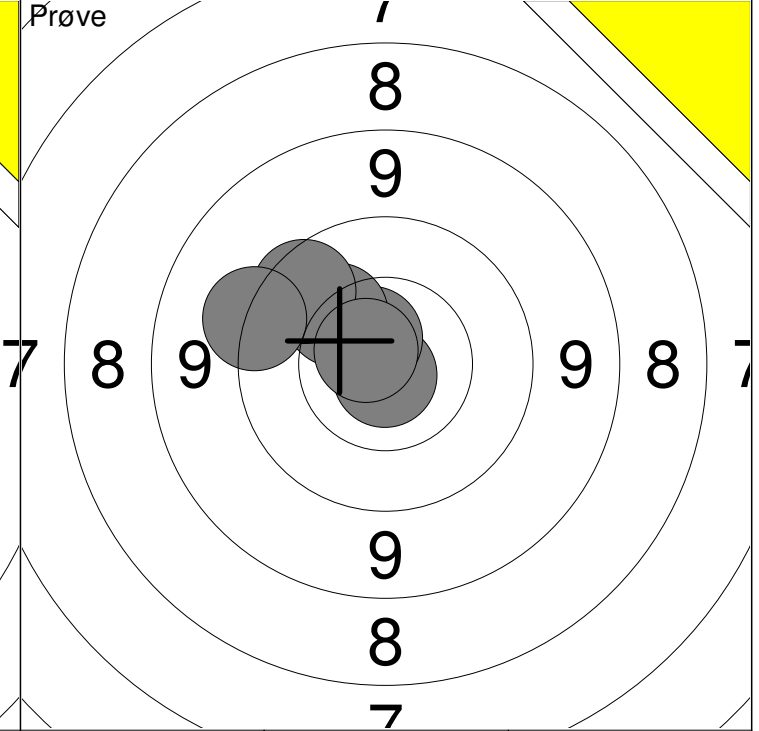
1:	9.9	↗
2:	10.5	↘
3:	10.6x	→
4:	10.7x	↘
5:	10.5x	↘
6:	10.7x	↘
7:	10.4	→
8:	10.6x	→
9:	10.4	→
10:	10.4	↗
Serie		99.0
Total		99.0



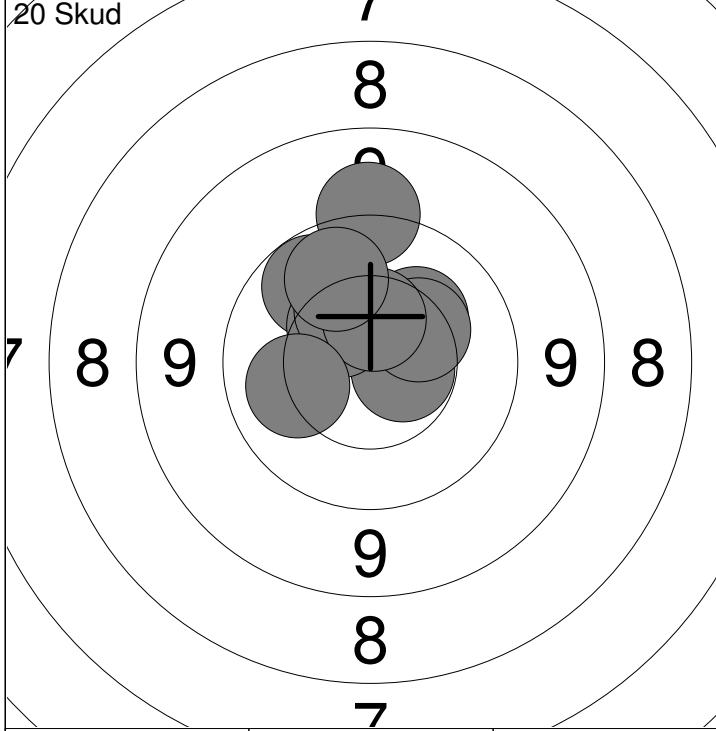
11:	10.6x	↘
12:	10.2	↗
13:	10.2	↗
14:	10.8x	↗
15:	9.8	←
16:	10.5x	↘
17:	10.5x	↘
18:	10.7x	↗
19:	10.8x	↘
20:	10.3	↘
Serie		99.0
Total		198.0



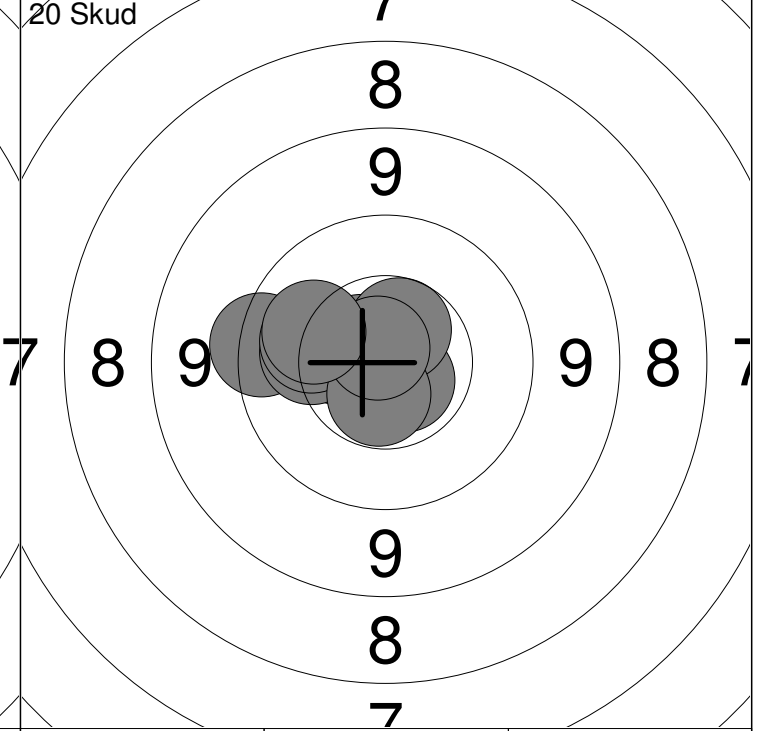
1: 10.3 →	6: 10.3 ←	Serie	98
2: 9.0 →	7: 10.3 ←		
3: 9.9 ↗	8: 10.3 ←	Total	0
4: 10.3 ↗	9: 10.5 ↑		
5: 10.7x →	10: 10.5 ←		



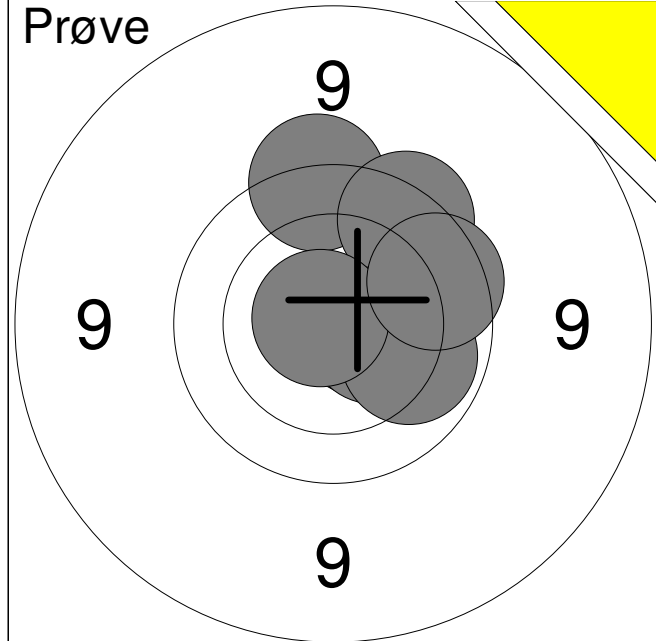
11: 10.8x ↓	16: 10.7x ↖	Serie	58
12: 10.6x ↗	13: 10.2 ↗		
14: 9.8 ↗	15: 9.5 ↖	Total	0



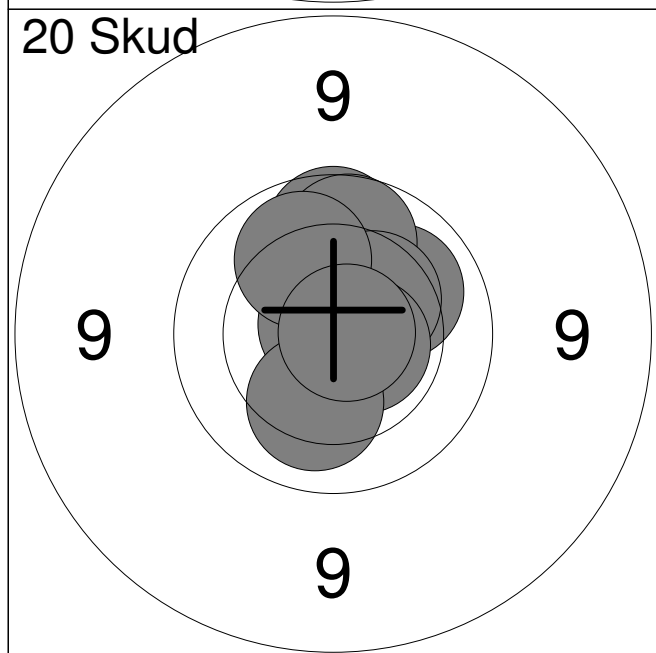
1: 10.6x →	6: 10.4 ↗	Serie	99
2: 10.3 ↗	7: 10.3 ↗		
3: 9.3 ↑	8: 10.5 ↑	Total	99
4: 10.3 ↗	9: 10.1 ←		
5: 10.0 ↖	10: 10.0 ↗		



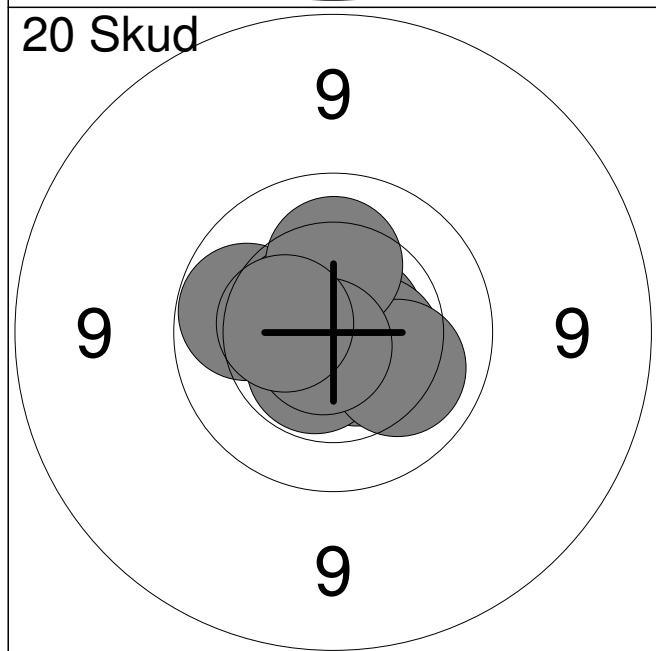
11: 10.5 ←	16: 10.2 ←	Serie	99
12: 10.7x ↓	17: 10.1 ←		
13: 9.6 ←	18: 10.6x ↓	Total	198
14: 10.6x ↖	19: 10.8x ↗		
15: 10.6 ↑	20: 10.1 ↖		



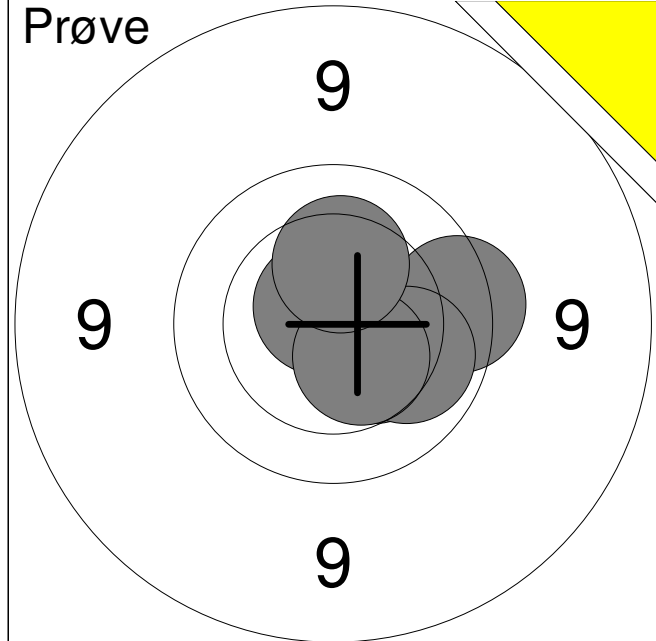
1:	9.6	↑
2:	10.6x	→
3:	9.7	↗
4:	10.5	→
5:	10.1	↘
6:	10.8x	↖
7:	9.8	→
Serie		67.0
Total		0.0



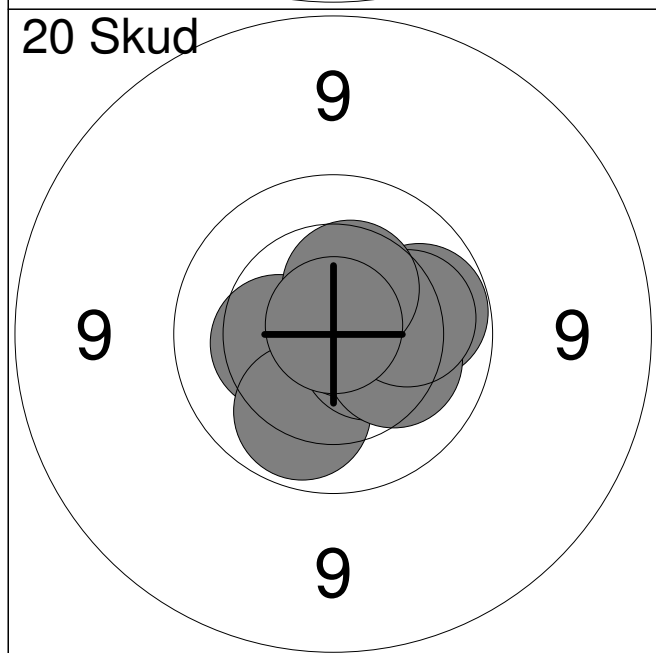
1:	10.2	↑
2:	10.1	↗
3:	10.8x	↖
4:	9.9	↑
5:	9.9	↑
6:	10.4	↗
7:	10.1	↖
8:	10.6x	→
9:	10.2	↓
10:	10.8x	→
Serie		98.0
Total		98.0



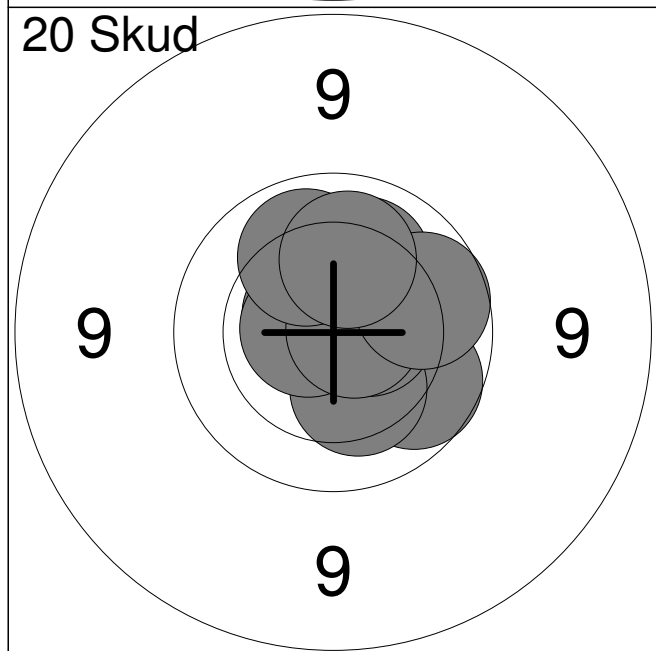
11:	10.7x	↗
12:	10.6x	↘
13:	10.5x	↘
14:	10.0	←
15:	10.5x	→
16:	10.1	↘
17:	10.6x	↗
18:	10.2	↑
19:	10.8x	↘
20:	10.4	←
Serie		100.0
Total		198.0



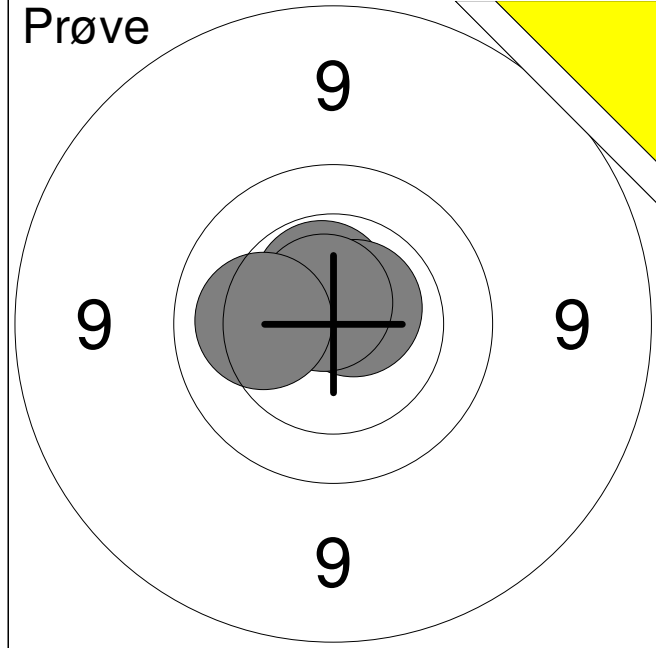
1:	9.7	→
2:	10.7x	↗
3:	10.4	↘
4:	10.1	→
5:	10.5	↘
6:	10.3	↑
Serie		59.0
Total		0.0



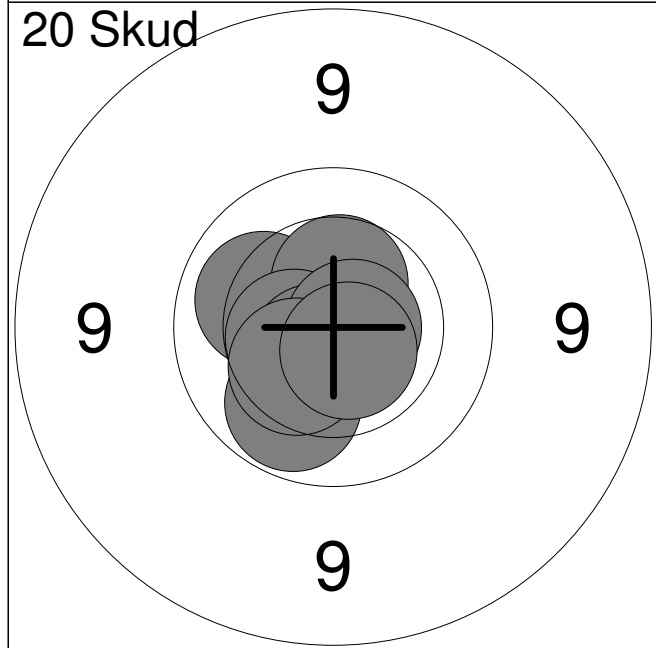
1:	10.3	←
2:	10.5x	↗
3:	10.0	↘
4:	10.0	→
5:	10.5x	↘
6:	10.8x	→
7:	10.2	↘
8:	10.1	→
9:	10.4	↗
10:	10.8x	↑
Serie		100.0
Total		100.0



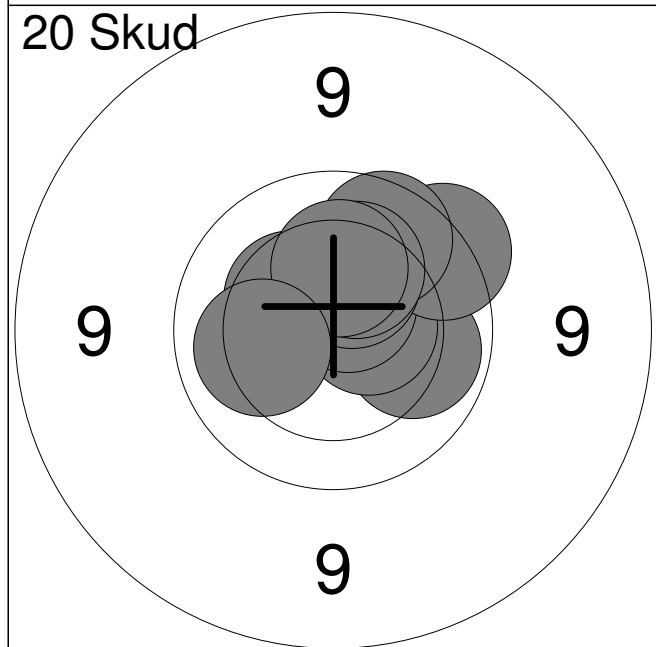
11:	10.1	↗
12:	9.9	↘
13:	10.3	↘
14:	10.6x	↗
15:	10.6x	→
16:	10.7x	←
17:	10.7x	→
18:	9.9	→
19:	10.1	↗
20:	10.1	↑
Serie		98.0
Total		198.0



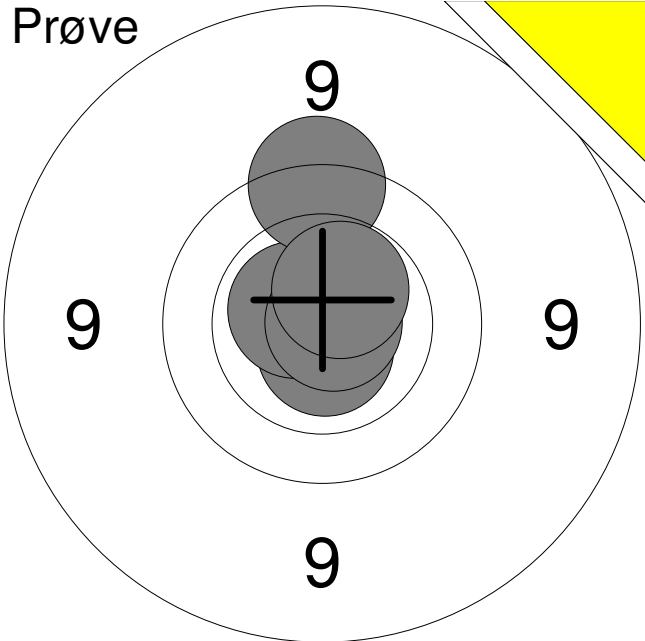
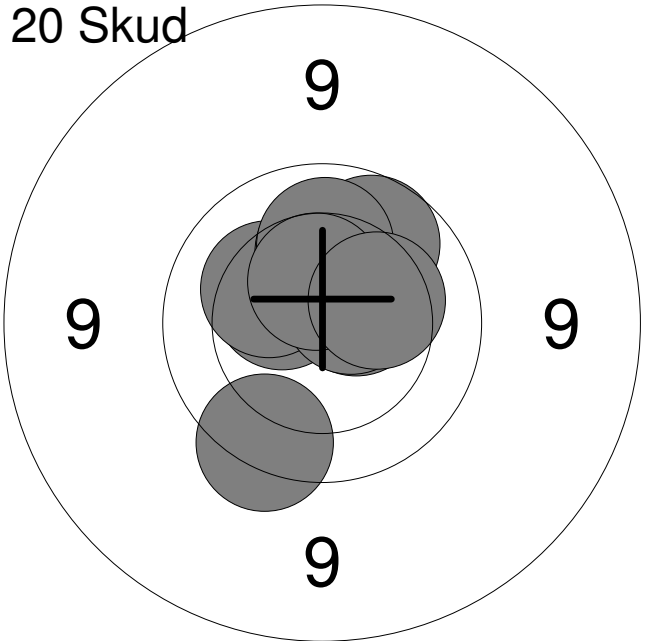
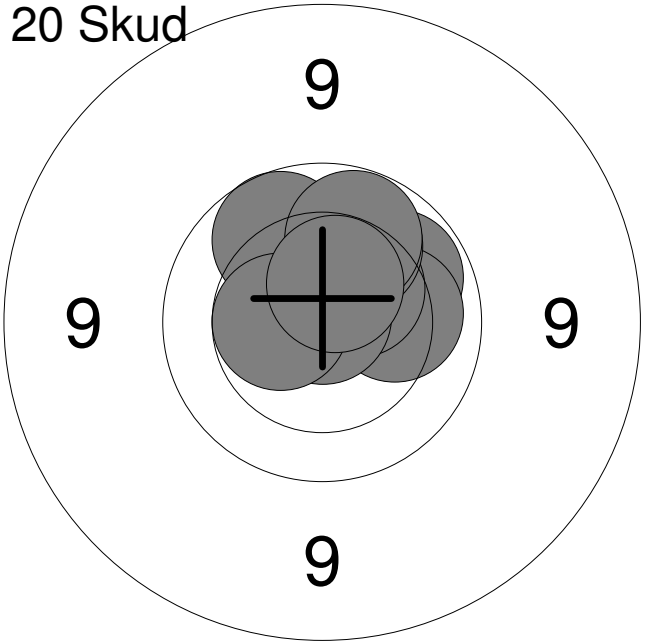
1:	10.6x	↑
2:	10.7x	↗
3:	10.7x	↑
4:	10.2	←
Serie		40.0
Total		0.0

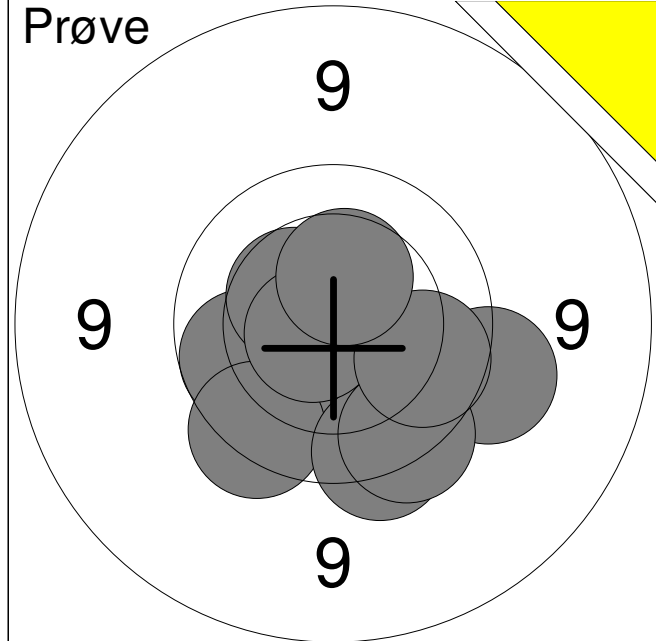


1:	10.6x	↖
2:	10.1	↖
3:	10.0	↓
4:	10.5x	↖
5:	10.5	↑
6:	10.5x	←
7:	10.6x	↘
8:	10.7x	→
9:	10.4	↘
10:	10.6x	↘
Serie		100.0
Total		100.0

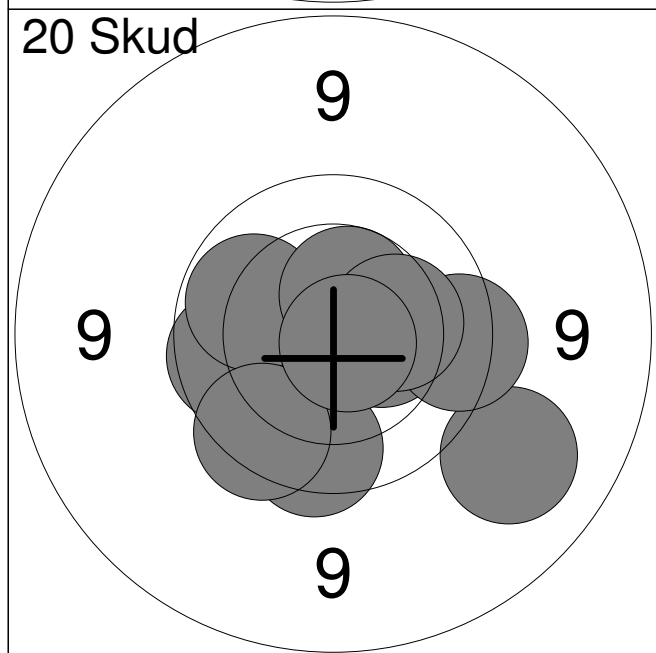


11:	10.0	→
12:	10.6x	→
13:	10.4	↖
14:	10.6x	↗
15:	9.7	↗
16:	9.9	↗
17:	10.4	↑
18:	10.2	↑
19:	10.3	↑
20:	10.1	←
Serie		98.0
Total		198.0

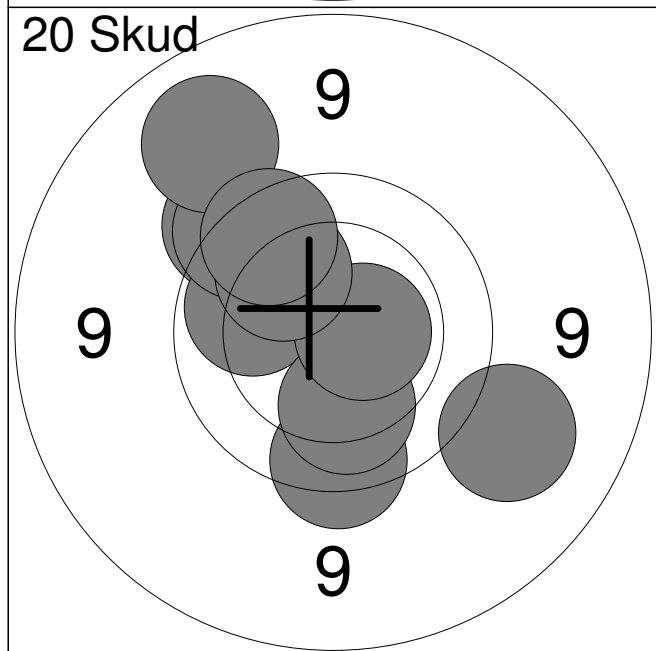
Hold	Skive	Bent Jensen	
27	8		
AAS		Boddum-Ydby Skytteforening	SE1
		15 meter stævne 2016	Aalborg Skyttekreds
Prøve		1: 10.7x	↓
		2: 10.6x	↖
		3: 9.6	↑
		4: 10.8x	→
		5: 10.5x	↗
		Serie	49.0
		Total	0.0
20 Skud		1: 9.9	↗
		2: 10.4	↖
		3: 10.5x	→
		4: 10.3	↖
		5: 10.2	↑
		6: 10.6x	↗
		7: 10.1	↑
		8: 10.5	↑
		9: 9.7	↓
		10: 10.3	→
		Serie	98.0
		Total	98.0
20 Skud		11: 10.4	↑
		12: 10.0	↗
		13: 10.1	→
		14: 9.9	↖
		15: 10.4	↗
		16: 10.9x	↑
		17: 10.0	↗
		18: 10.0	↑
		19: 10.5x	←
		20: 10.5x	↑
		Serie	99.0
		Total	197.0



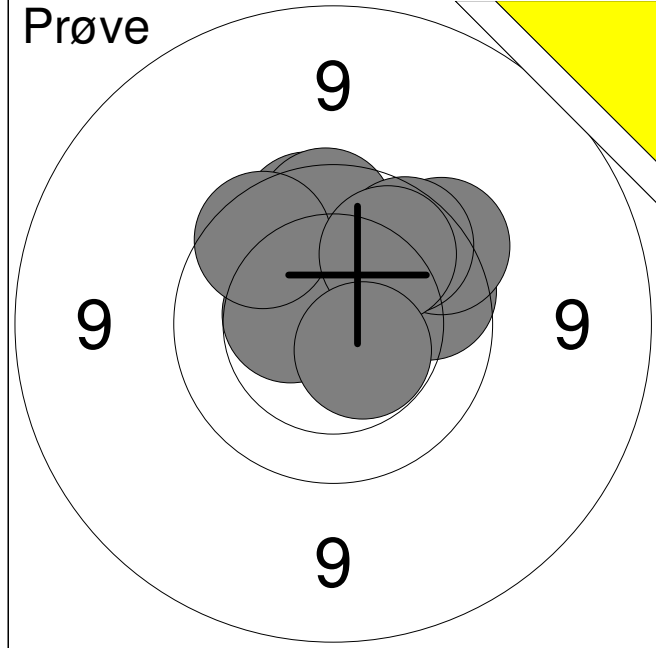
1:	9.5	→
2:	10.1	↓
3:	9.9	←
4:	10.4	↗
5:	9.7	↓
6:	9.7	↓
7:	9.7	↓
8:	10.7x	←
9:	9.9	→
10:	10.4	↑
Serie		94.0
Total		0.0



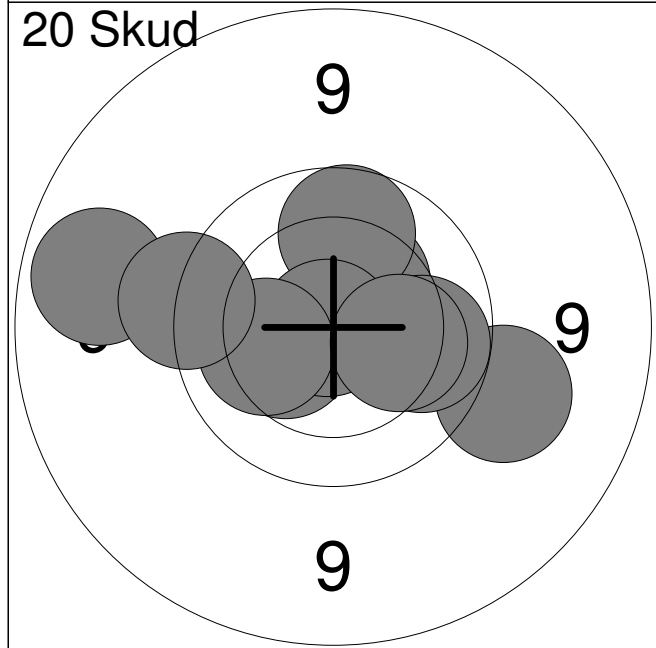
1:	9.9	←
2:	10.0	↖
3:	9.8	↓
4:	10.4	→
5:	9.2	↓
6:	9.7	→
7:	10.5	↗
8:	9.8	↓
9:	10.3	→
10:	10.8x	↘
Serie		95.0
Total		95.0



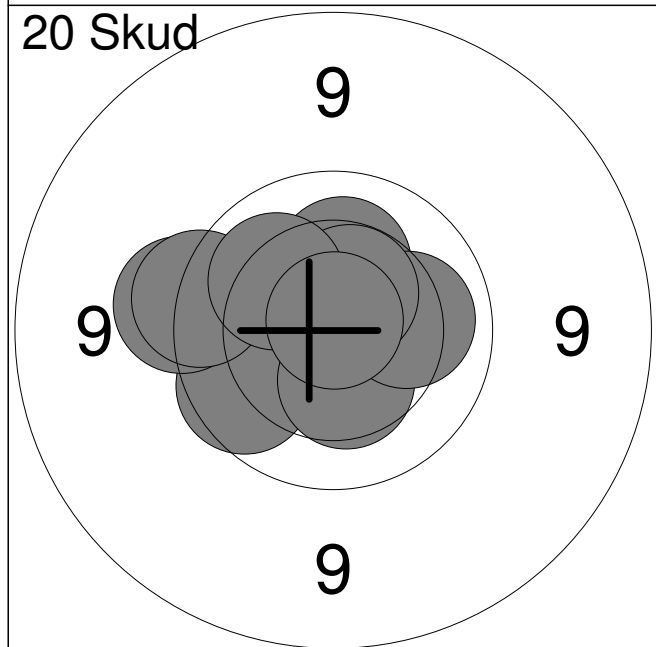
11:	9.6	↗
12:	10.0	←
13:	9.7	↓
14:	10.1	↓
15:	10.6x	→
16:	9.7	↗
17:	9.1	↗
18:	10.1	↗
19:	9.8	↗
20:	9.3	↘
Serie		94.0
Total		189.0



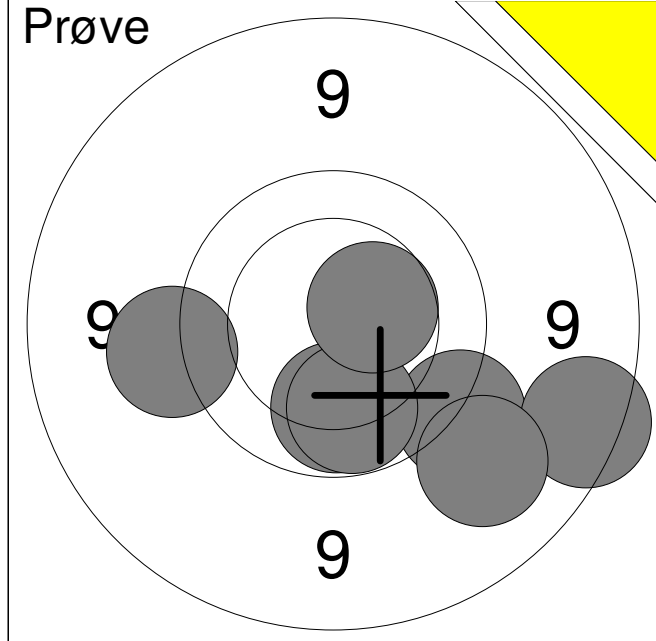
1:	10.6x	→
2:	9.8	↑
3:	9.9	→
4:	9.7	↗
5:	9.8	↑
6:	9.9	↗
7:	10.5	←
8:	9.8	↖
9:	10.0	↗
10:	10.5x	↘
Serie		94.0
Total		0.0



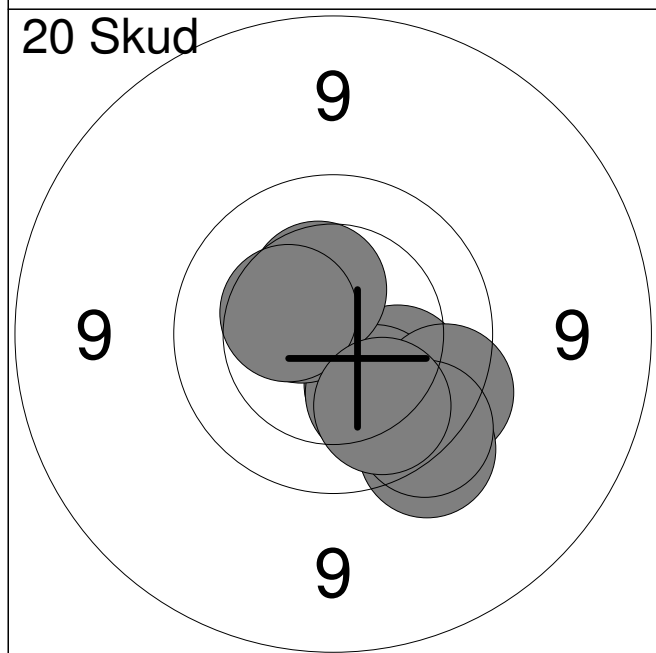
1:	9.4	→
2:	10.4	↗
3:	10.4	←
4:	9.9	↑
5:	10.9x	←
6:	9.0	←
7:	10.2	←
8:	9.6	←
9:	10.0	→
10:	10.2	→
Serie		96.0
Total		96.0



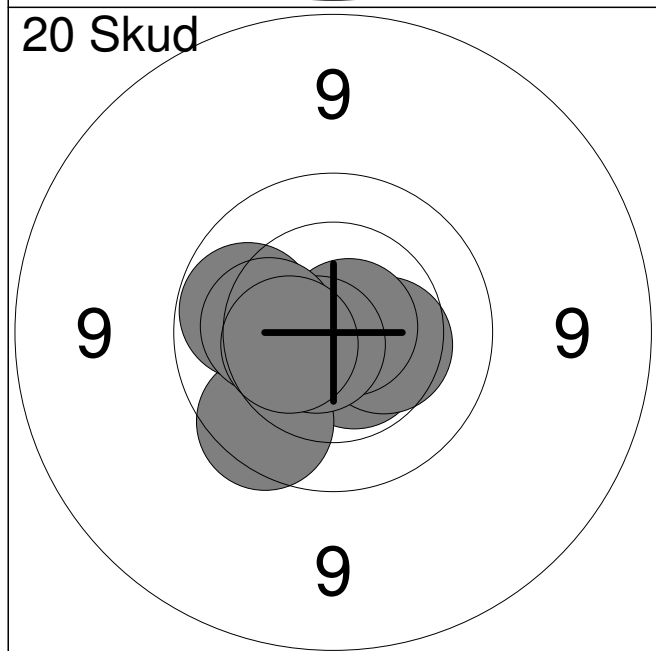
11:	10.8x	↑
12:	9.9	←
13:	10.4	↓
14:	9.6	←
15:	10.2	↑
16:	9.7	←
17:	10.1	→
18:	10.5x	↗
19:	10.1	↖
20:	10.8x	↑
Serie		97.0
Total		193.0



1:	9.5	←
2:	9.5	↘
3:	8.8	↘
4:	9.2	↘
5:	10.0	↓
6:	10.0	↓
7:	10.5	→
Serie		65.0
Total		0.0

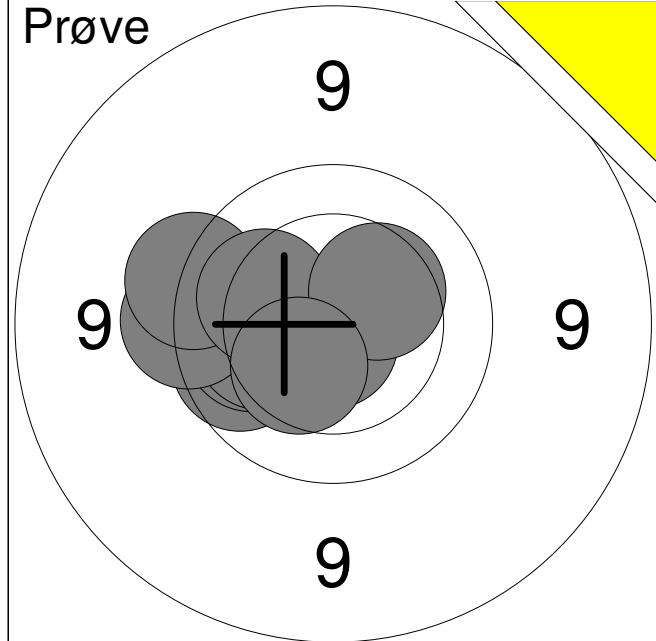


1:	10.3	↘
2:	10.1	↘
3:	10.2	↘
4:	9.7	↘
5:	10.5x	↗
6:	9.6	↘
7:	9.7	↘
8:	10.4	↗
9:	10.4	↗
10:	10.0	↘
Serie		97.0
Total		97.0

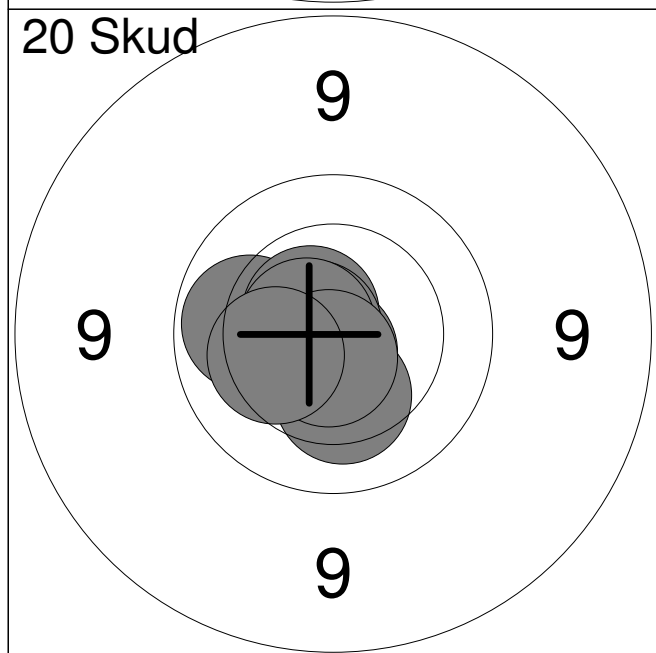


11:	10.7x	↘
12:	10.7x	←
13:	10.6x	↘
14:	10.4	→
15:	10.8x	→
16:	9.8	↘
17:	10.0	←
18:	10.7x	←
19:	10.2	←
20:	10.4	←
Serie		99.0
Total		196.0

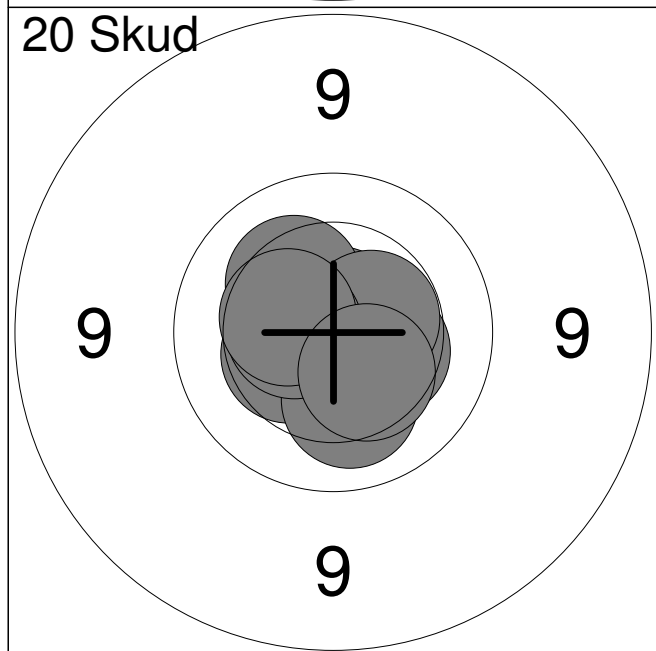
Hold 27	Skive 12	Linda Madsen	
AAS		Aalborg Skyttekreds	VÅ3
		15 meter stævne 2016	Aalborg Skyttekreds
Prøve		1: 9.7 →	
		2: 9.6 ↑	
		3: 10.3 ↗	
		4: 10.1 →	
		5: 10.0 ↓	
		6: 10.3 ↗	
		7: 10.3 ↑	
		Serie	68.0
		Total	0.0
20 Skud		1: 10.1 ↗	
		2: 9.8 ↗	
		3: 10.5 ←	
		4: 10.3 →	
		5: 10.7x ↑	
		6: 10.6x ←	
		7: 10.5 ↗	
		8: 10.4 ↗	
		9: 10.1 ↓	
		10: 10.5x ←	
		Serie	99.0
		Total	99.0
20 Skud		11: 10.7x ↗	
		12: 10.6x ↗	
		13: 10.3 ↓	
		14: 10.3 ↓	
		15: 9.8 ↓	
		16: 10.5x ↗	
		17: 10.6x →	
		18: 9.8 →	
		19: 10.4 ↓	
		20: 10.5x →	
		Serie	98.0
		Total	197.0



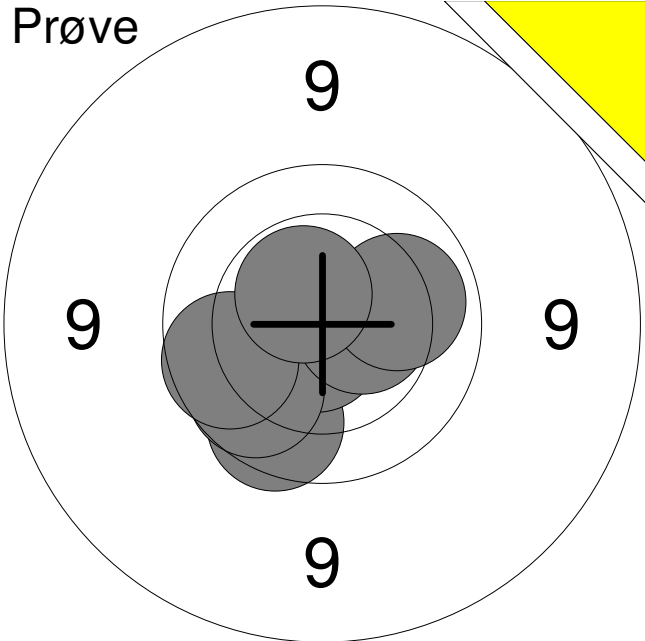
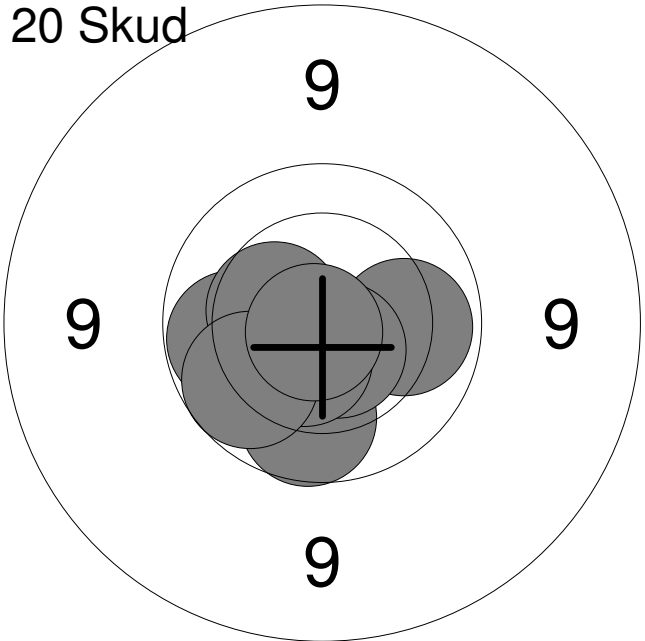
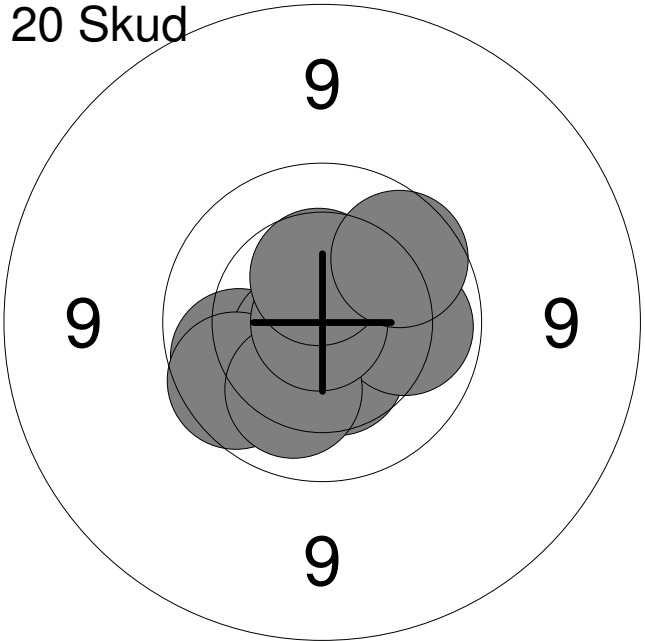
1:	9.9	↙
2:	10.0	↙
3:	10.8x	↓
4:	10.1	↙
5:	9.6	↙
6:	9.6	↙
7:	10.1	↙
8:	10.3	↗
9:	10.4	↘
Serie	87.0	
Total	0.0	

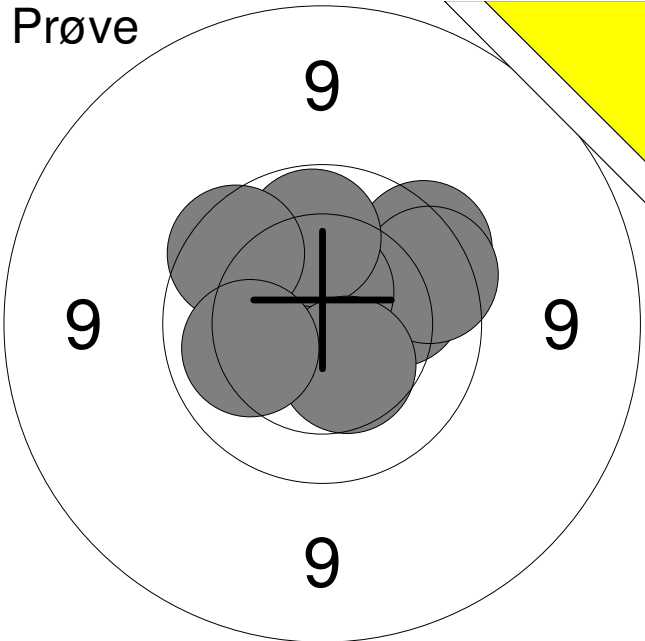
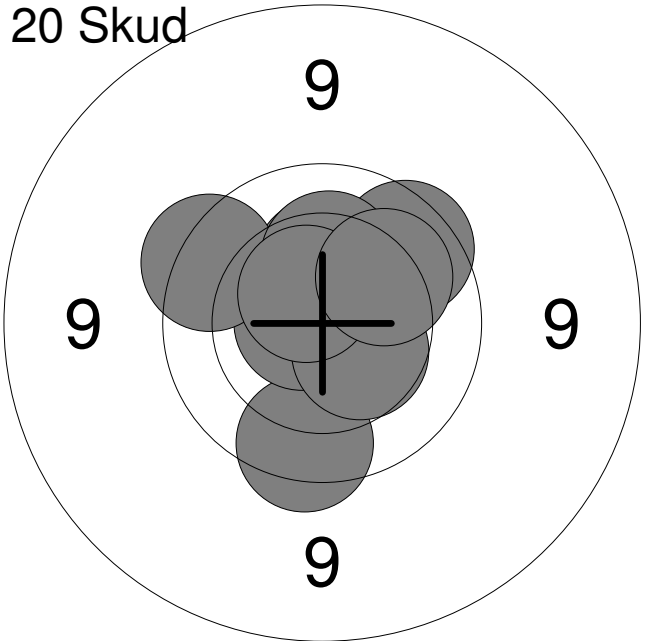
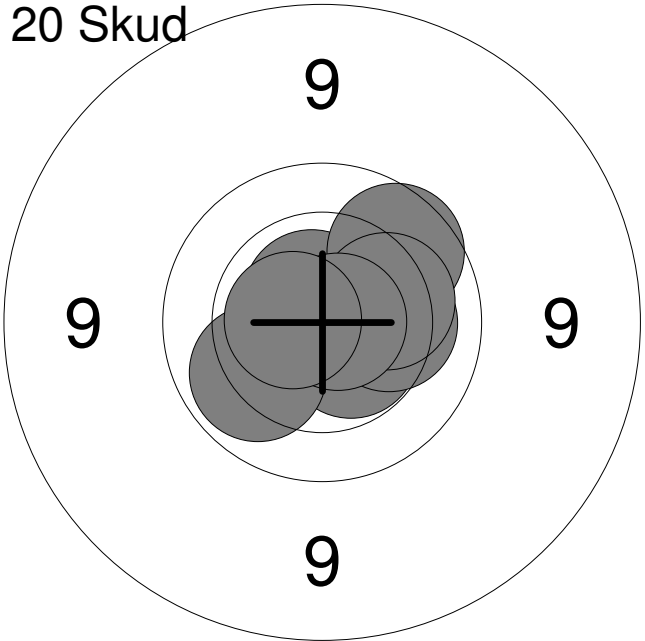


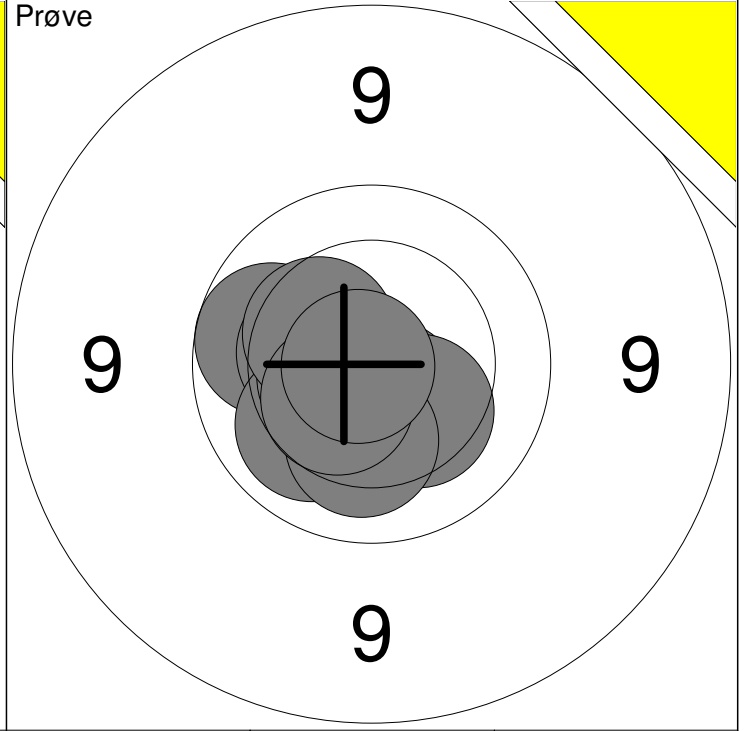
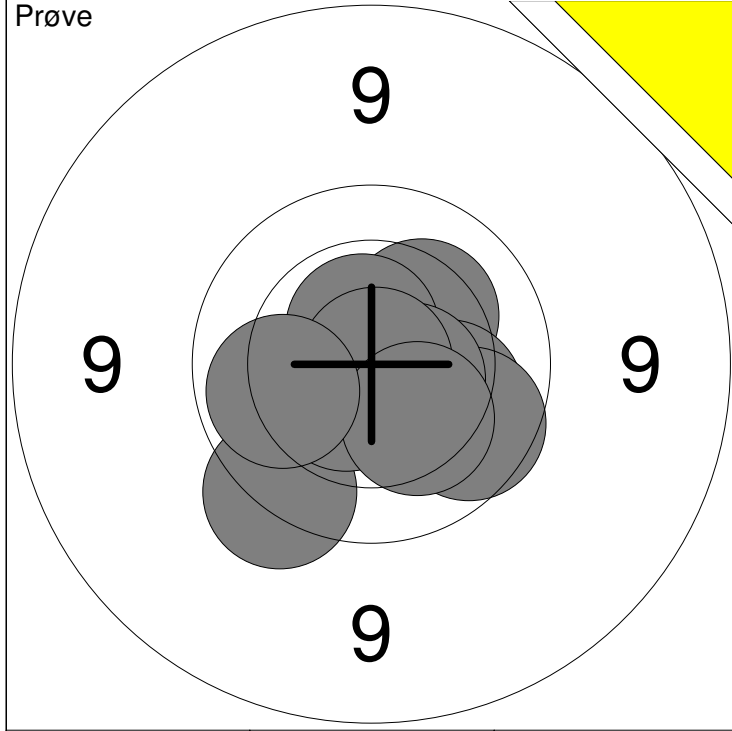
1:	10.4	↙
2:	10.0	↙
3:	10.6x	↘
4:	10.6x	↗
5:	10.7x	↓
6:	10.3	↓
7:	10.7x	↙
8:	10.6x	↙
9:	10.7x	↓
10:	10.3	↙
Serie	100.0	
Total	100.0	



11:	10.4	↙
12:	10.8x	↑
13:	10.9x	↗
14:	10.3	↗
15:	10.4	↘
16:	10.5x	→
17:	10.2	↓
18:	10.5x	↙
19:	10.4	↙
20:	10.4	↘
Serie	100.0	
Total	200.0	

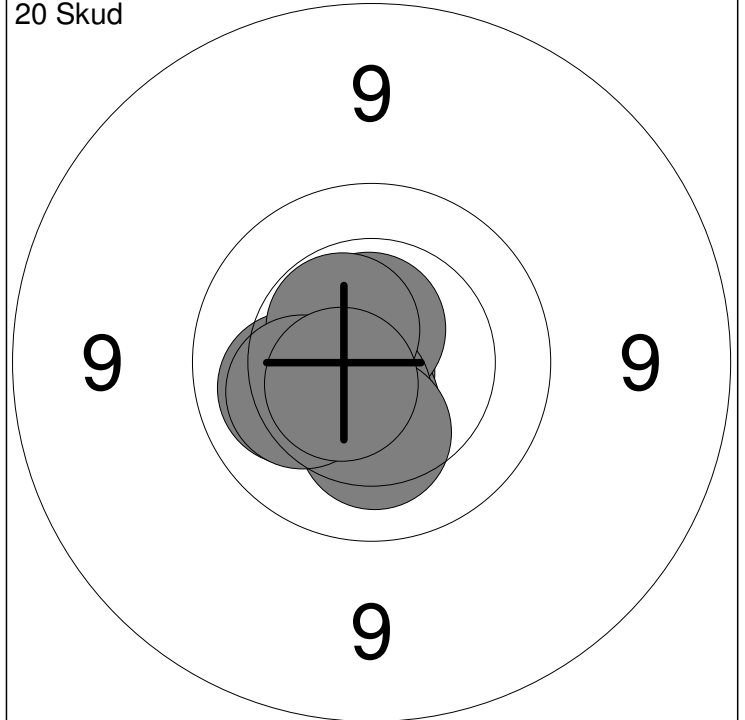
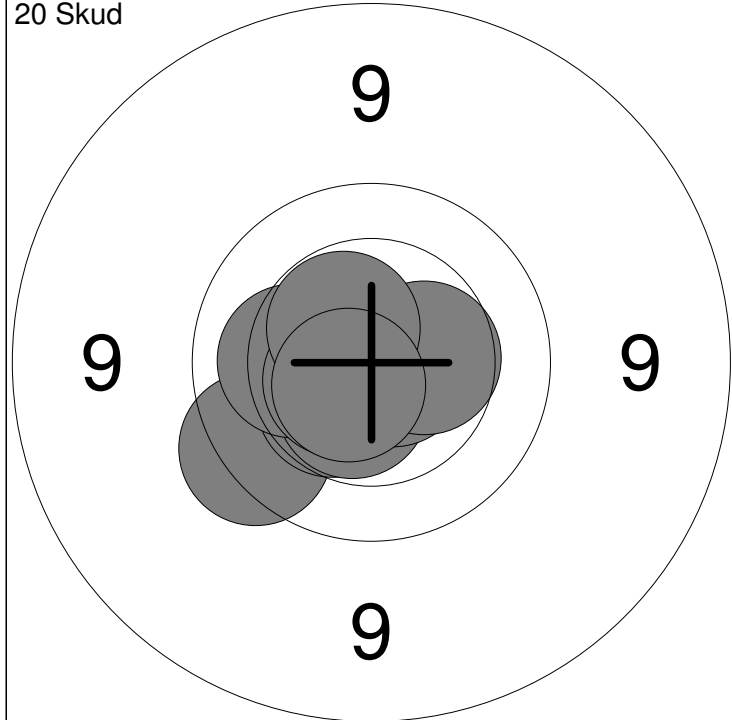
Hold	Skive	Axel Aaes Christensen	
28	2		
AAS		Vodskov Skytteforening	MB1
		15 meter stævne 2016	Aalborg Skyttekreds
Prøve		1: 9.8 ↘ 2: 10.7x ↘ 3: 9.9 ↙ 4: 9.9 ← 5: 10.5x → 6: 10.1 → 7: 10.6x ↗	
		Serie	67.0
		Total	0.0
20 Skud		1: 10.5 ↙ 2: 9.9 ↘ 3: 10.5x ↙ 4: 10.0 ← 5: 10.4 ← 6: 10.0 → 7: 10.6x ↘ 8: 10.5x ↘ 9: 9.9 ↙ 10: 10.8x ↘	
		Serie	98.0
		Total	98.0
20 Skud		11: 10.0 ← 12: 10.6x ↙ 13: 9.9 ↙ 14: 10.6x → 15: 10.4 ↘ 16: 10.0 → 17: 10.1 ↘ 18: 10.9x ← 19: 10.4 ↑ 20: 9.9 ↗	
		Serie	98.0
		Total	196.0

Hold	Skive	Nina Guldbæk Larsen	
28	3		
AAS		Vodskov Skytteforening	MJ2
		15 meter stævne 2016	Aalborg Skyttekreds
Prøve		1: 10.1 → 2: 9.7 ↗ 3: 9.8 ↗ 4: 10.6x ↑ 5: 10.0 ↑ 6: 9.8 ↗ 7: 10.4 ↓ 8: 10.1 ←	
		Serie	77.0
		Total	0.0
20 Skud		1: 9.8 ↓ 2: 10.7x ← 3: 10.3 ↑ 4: 9.7 ↖ 5: 10.5 ↗ 6: 9.8 ↗ 7: 10.2 ↑ 8: 10.4 ↓ 9: 10.6x ↗ 10: 10.1 ↗	
		Serie	97.0
		Total	97.0
20 Skud		11: 10.5x ↓ 12: 10.8x ↑ 13: 10.7x ↗ 14: 10.7x ↗ 15: 9.9 ↗ 16: 10.0 ↖ 17: 10.2 → 18: 10.2 → 19: 10.8x → 20: 10.6x ←	
		Serie	99.0
		Total	196.0



1: 10.3 ↗	6: 10.6x →	Serie	98
2: 10.1 →	7: 10.6x ↘		
3: 9.9 →	8: 10.9x →	Total	0
4: 10.6x ↑	9: 10.3 ↘		
5: 9.6 ↙	10: 10.0 ←		

11: 10.6x ↓	16: 10.6x ←	Serie	99
12: 9.9 ←	17: 10.2 ↓		
13: 10.4 ←	18: 10.4 ↖	Total	0
14: 10.3 ↘	19: 10.5 ↘		
15: 10.1 ↙	20: 10.8x ←		

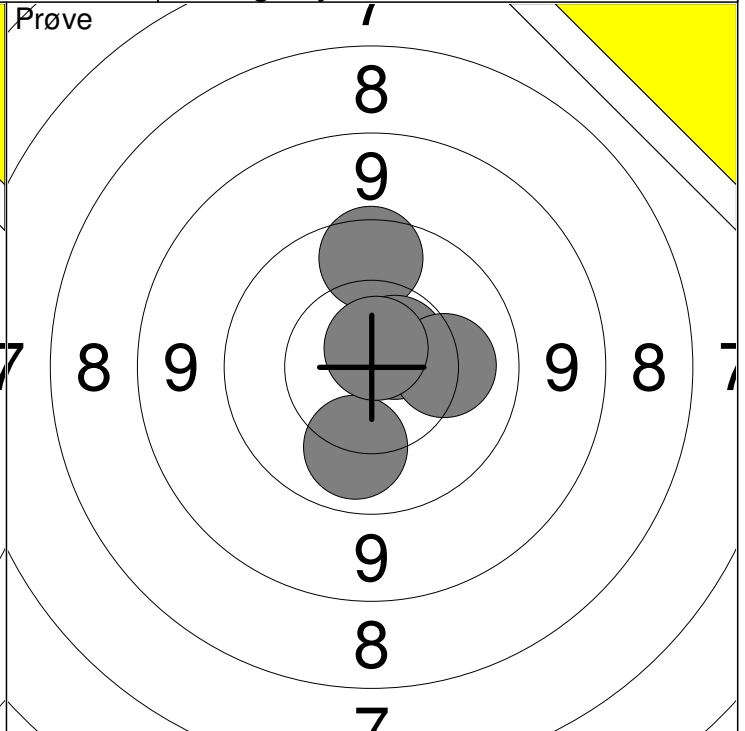
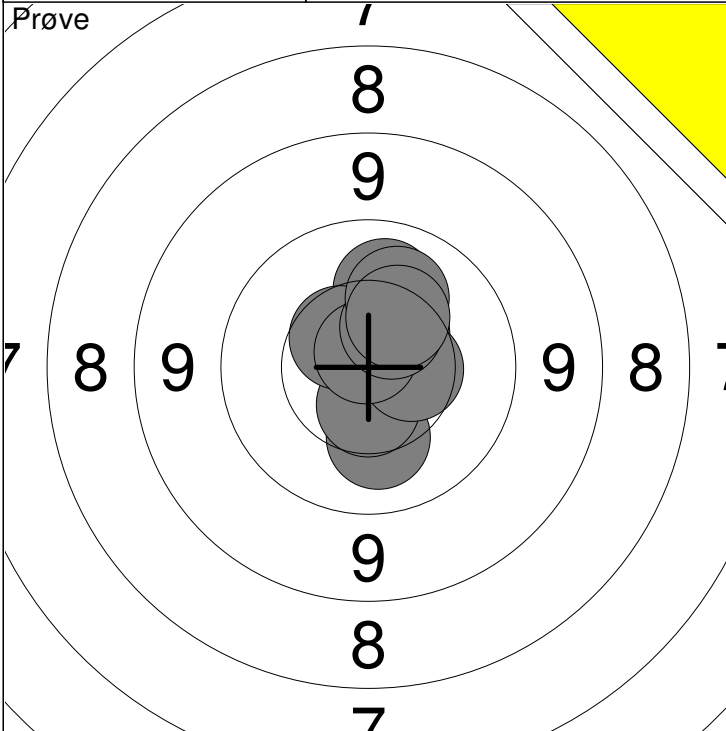


1: 9.7 ↙	6: 10.6x ←	Serie	99
2: 10.4 ↙	7: 10.7x →		
3: 10.8x ↓	8: 10.4 →	Total	99
4: 10.5x ↘	9: 10.5x ↖		
5: 10.2 ←	10: 10.6x ↘		

11: 10.8x ↙	16: 10.6x ↘	Serie	100
12: 10.5x ←	17: 10.3 ↓		
13: 10.5x ↓	18: 10.5x ↖	Total	199
14: 10.6x ↑	19: 10.2 ←		
15: 10.2 ←	20: 10.6x ↘		

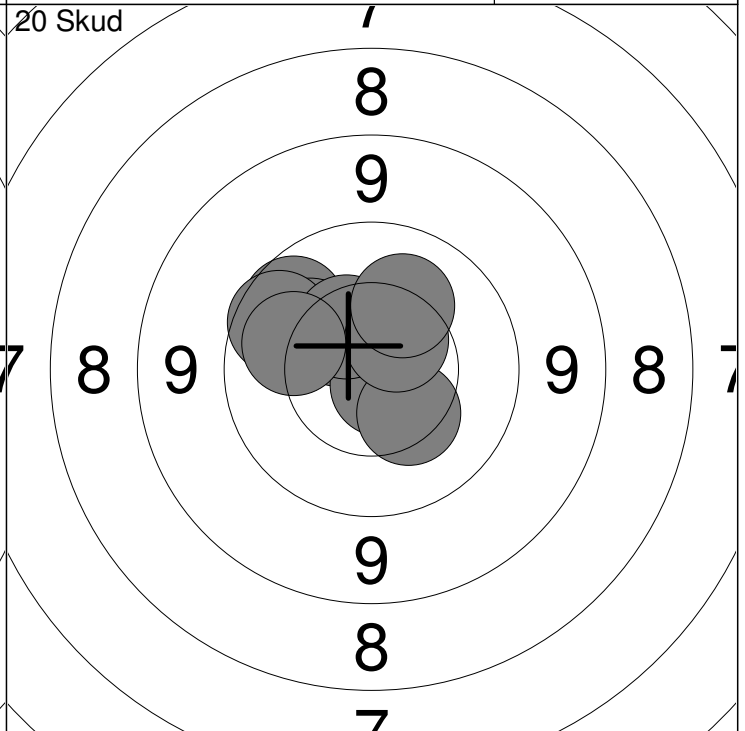
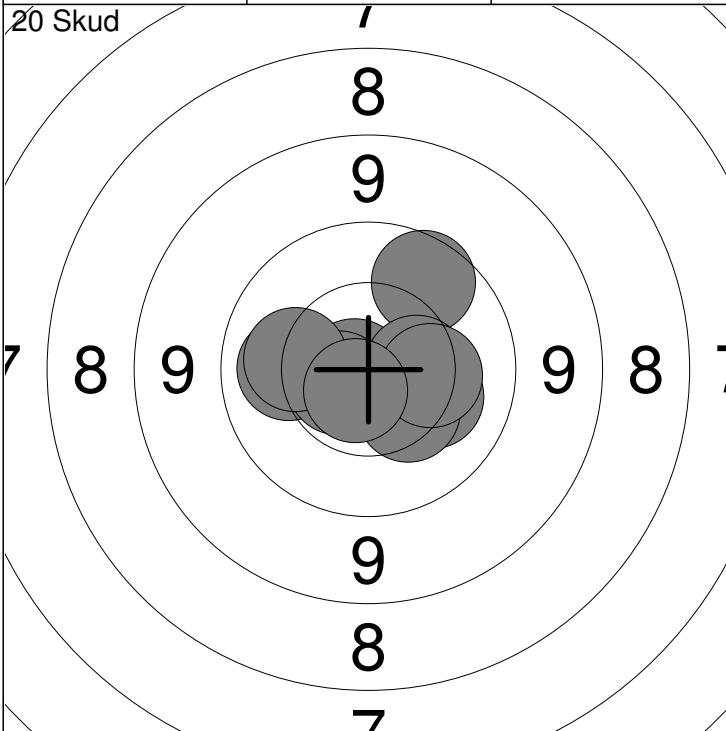
15 meter stævne 2016

Aalborg Skyttekreds



1: 10.1 ↑	6: 10.5 →	Serie	100
2: 10.2 ↓	7: 10.8x ↑		
3: 10.5 ↓	8: 10.5 ↗	Total	0
4: 10.5 ↗	9: 10.2 ↑		
5: 10.5 ↖	10: 10.3 ↗		

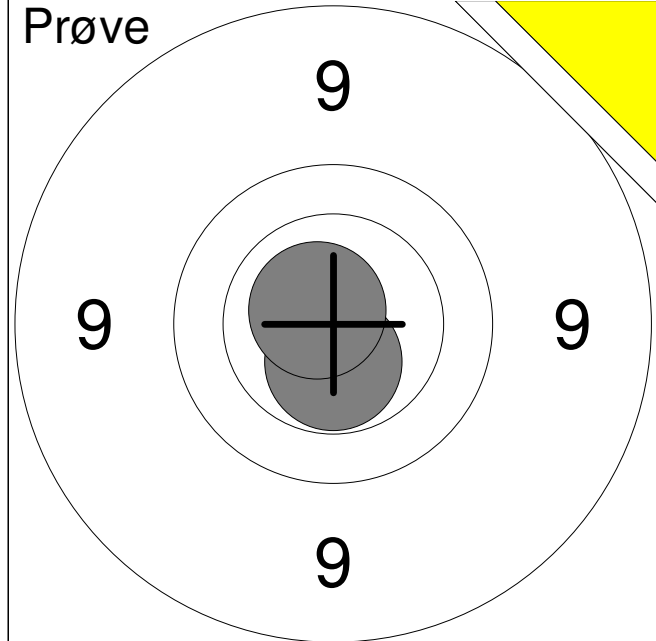
11: 9.8 ↑	Serie	49
12: 10.1 ↓		
13: 10.6x ↗	Total	0
14: 10.2 →		
15: 10.7x ↑		



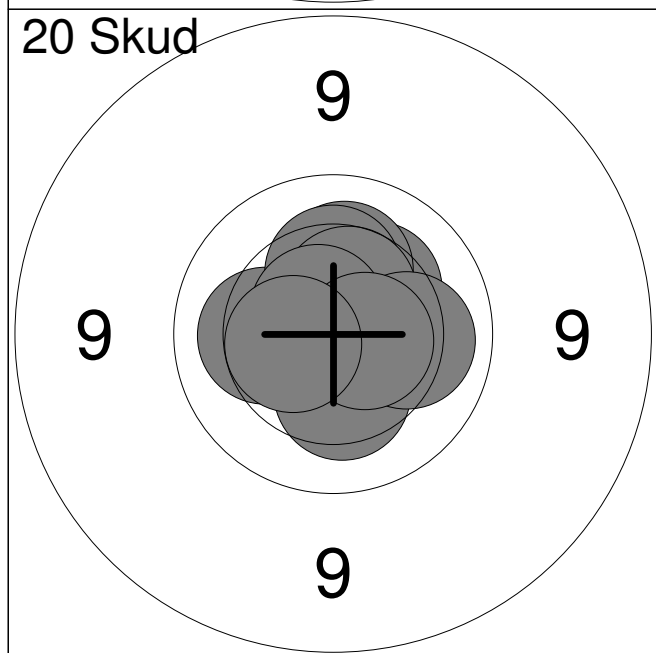
1: 10.2 →	6: 10.3 →	Serie	99
2: 9.9 ↗	7: 10.1 ←		
3: 10.8x ←	8: 10.6x ←	Total	99
4: 10.4 →	9: 10.2 ←		
5: 10.3 ↓	10: 10.7x ↓		

11: 10.5 ↗	16: 10.4 ↗	Serie	98
12: 9.9 ↗	17: 10.3 ↓		
13: 10.8x ↓	18: 10.5 ↗	Total	197
14: 10.2 ↗	19: 10.1 ←		
15: 9.9 ↖	20: 10.2 ↗		

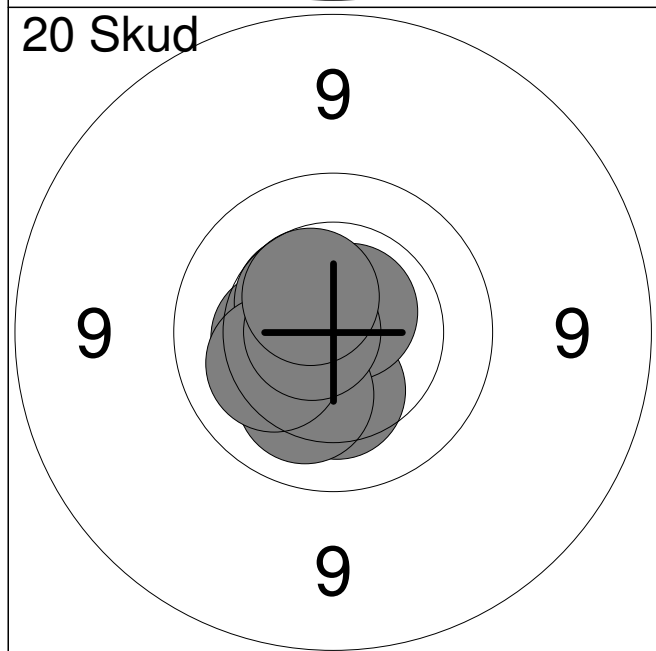
Hold 28	Skive 6	Emil Hedemann	
AAS		Vester Hassing Skf.	BK1
		15 meter stævne 2016	Aalborg Skyttekreds
Prøve 	1:	9.8 ↘	
	2:	10.8x ↘	
	3:	10.5 ↓	
	4:	10.2 ↓	
	5:	10.1 ↘	
	6:	10.6x ↘	
	7:	10.7x →	
	Serie		69.0
Total		0.0	
20 Skud 	1:	10.8x →	
	2:	10.7x →	
	3:	10.6x ↗	
	4:	10.3 →	
	5:	10.7x ↘	
	6:	10.8x ↗	
	7:	10.3 ↘	
	8:	10.8x ↗	
	9:	10.5 →	
	10:	10.5 ↗	
Serie		100.0	
Total		100.0	
20 Skud 	11:	10.8x ↗	
	12:	10.2 ↗	
	13:	10.5 ↓	
	14:	10.6x ↑	
	15:	10.7x ↗	
	16:	10.1 ↑	
	17:	10.2 ↑	
	18:	10.5 →	
	19:	10.9x ↑	
	20:	10.6x ↗	
Serie		100.0	
Total		200.0	



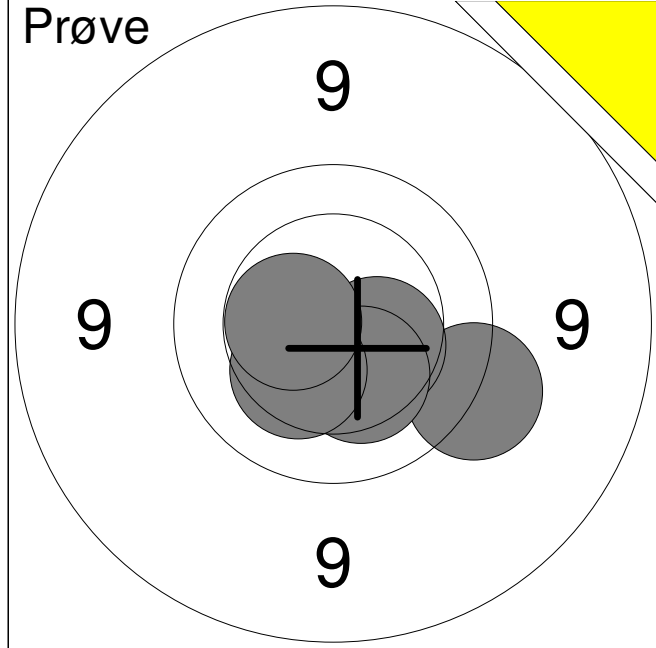
1:	10.5x	↓
2:	10.7x	↖
Serie		20.0
Total		0.0



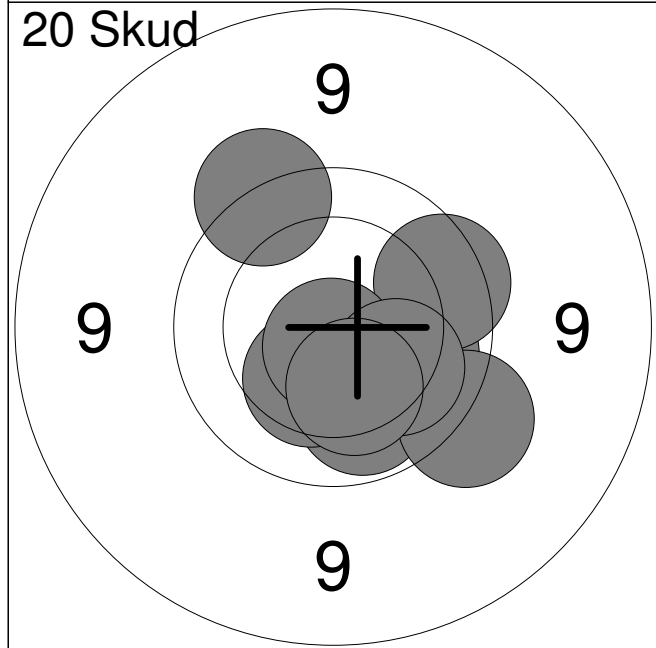
1:	10.2	←
2:	10.3	↗
3:	10.2	↑
4:	10.3	↑
5:	10.5	↗
6:	10.3	↓
7:	10.1	→
8:	10.7x	↗
9:	10.6x	→
10:	10.5x	←
Serie		100.0
Total		100.0



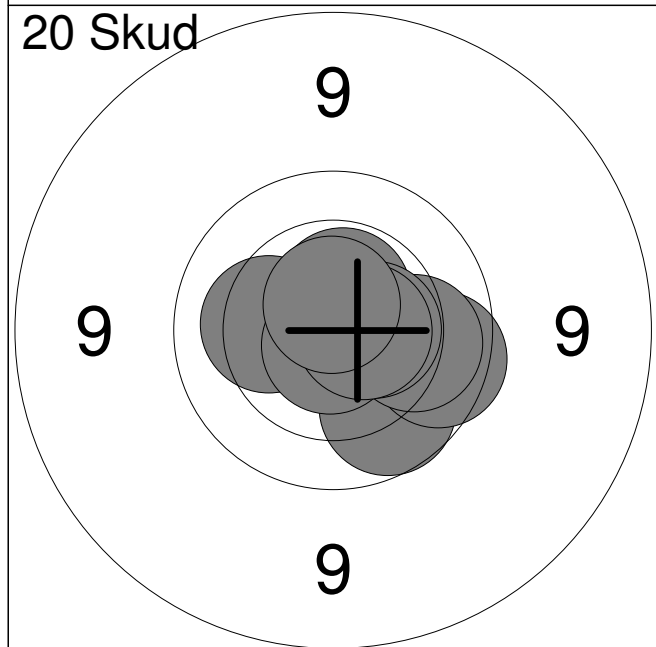
11:	10.8x	↙
12:	10.3	↓
13:	10.4	←
14:	10.5	↖
15:	10.7x	↗
16:	10.5	↙
17:	10.2	↓
18:	10.2	←
19:	10.7x	←
20:	10.5	↖
Serie		100.0
Total		200.0



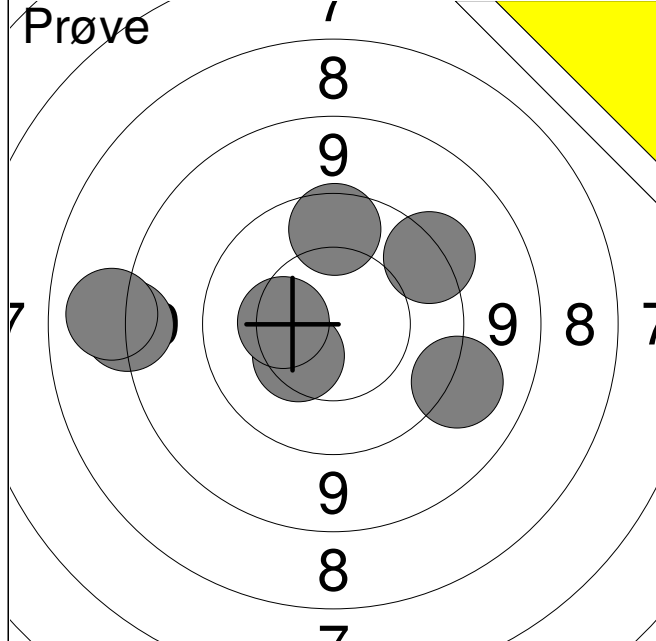
1:	9.5	↘
2:	10.4	↘
3:	10.3	↘
4:	10.3	↘
5:	10.5x	←
Serie		49.0
Total		0.0



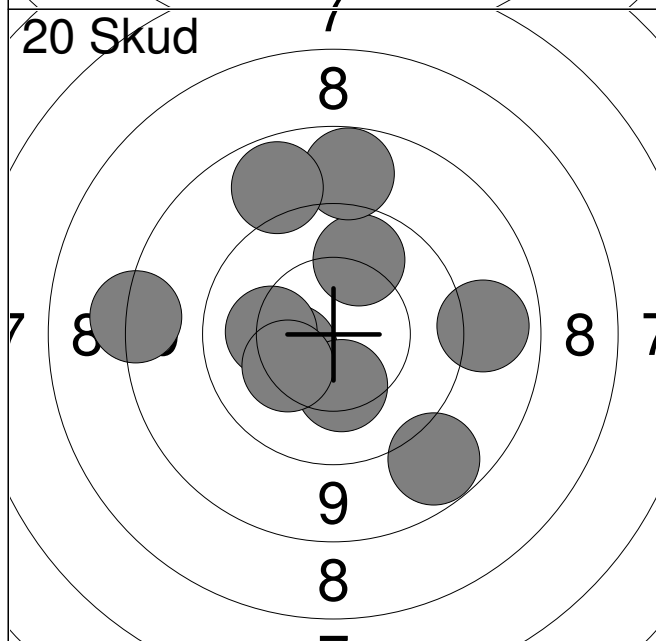
1:	10.0	↘
2:	10.0	↘
3:	9.5	↘
4:	9.6	↗
5:	10.3	↘
6:	9.8	↗
7:	10.3	↘
8:	10.7x	↘
9:	10.1	↘
10:	10.3	↘
Serie		97.0
Total		97.0



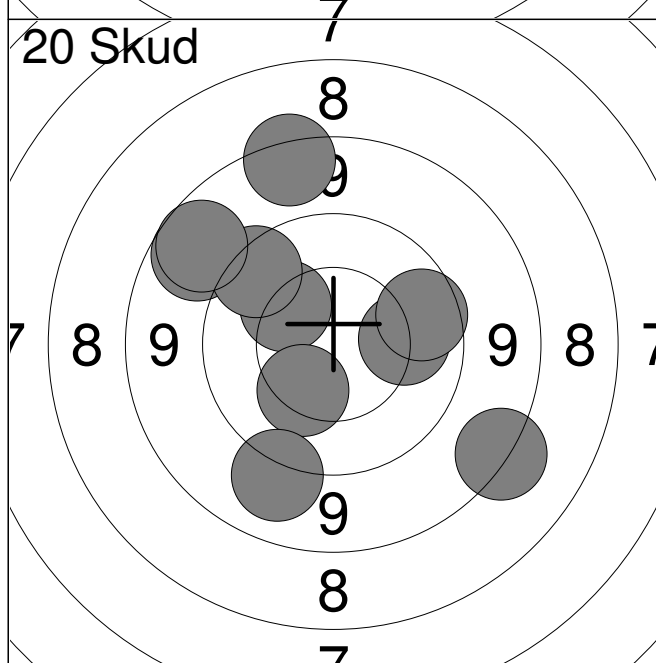
11:	9.9	↘
12:	10.2	←
13:	9.8	↗
14:	10.0	↗
15:	10.7x	↗
16:	10.6x	↗
17:	10.5x	↗
18:	10.8x	↘
19:	10.6x	↗
20:	10.7x	↑
Serie		98.0
Total		195.0



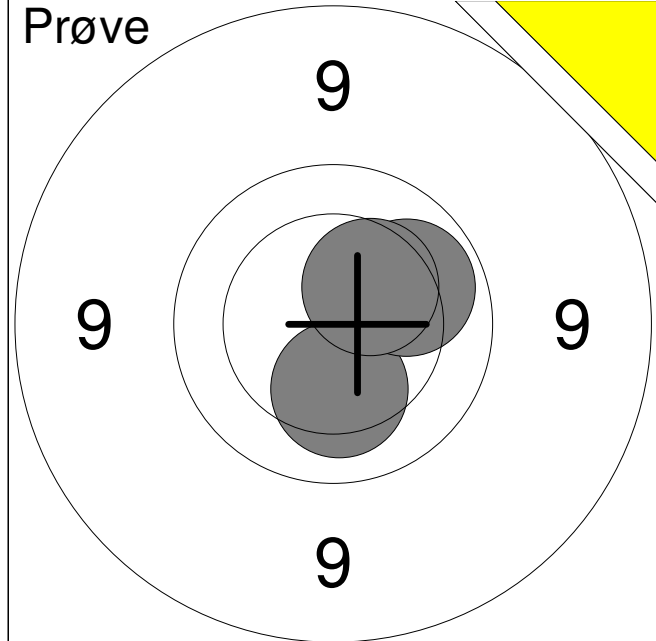
1:	8.4	←
2:	9.3	→
3:	10.4	↙
4:	9.8	↑
5:	8.2	←
6:	9.5	↗
7:	10.4	←
Serie	63.0	
Total	0.0	



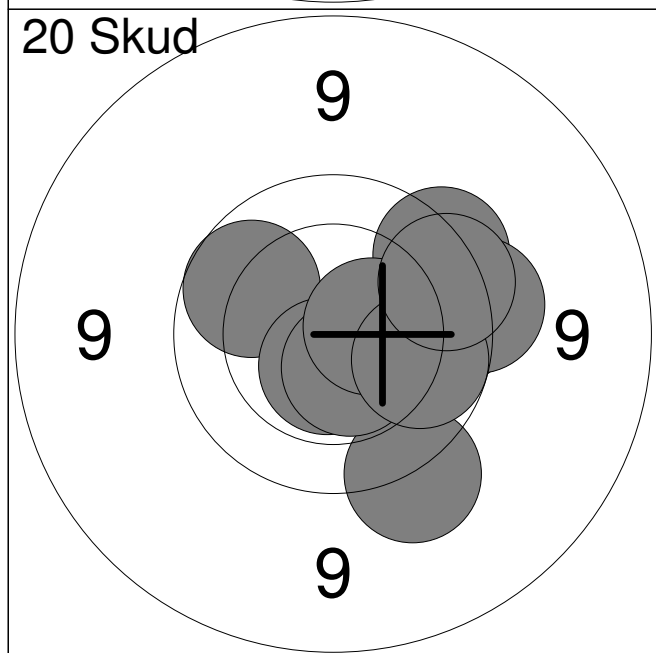
1:	9.1	→
2:	9.0	↘
3:	10.4	←
4:	10.3	↓
5:	10.0	↑
6:	8.5	←
7:	10.2	←
8:	10.3	↙
9:	9.0	↑
10:	9.0	↑
Serie	94.0	
Total	94.0	



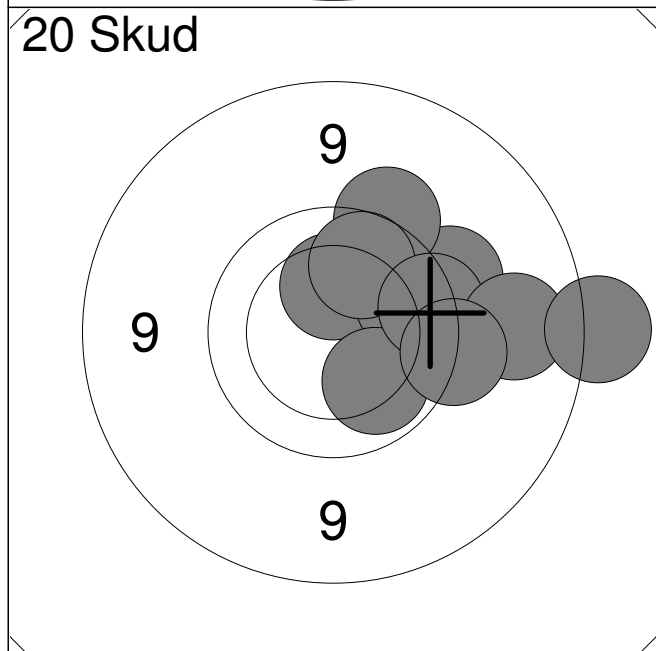
11:	8.6	↑
12:	8.9	↗
13:	10.1	→
14:	10.2	↗
15:	10.3	↘
16:	9.2	↘
17:	9.7	↗
18:	8.9	↗
19:	8.4	↘
20:	9.8	→
Serie	89.0	
Total	183.0	



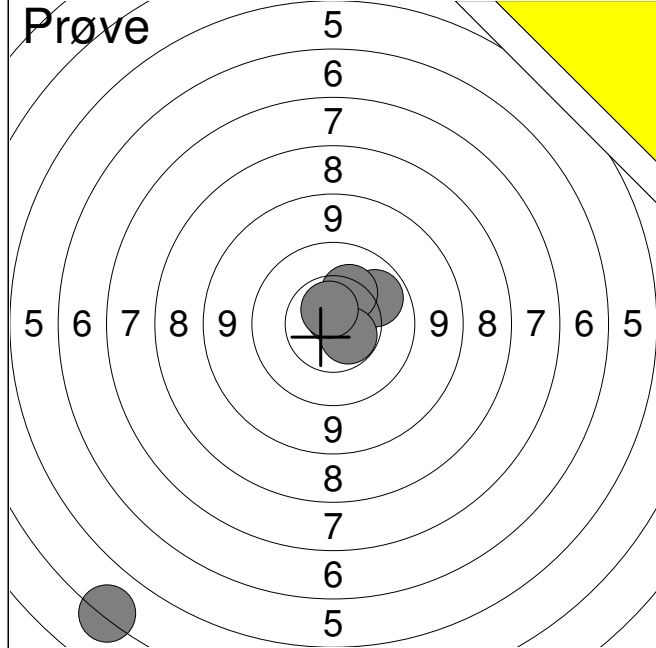
1:	10.2	↓
2:	10.0	→
3:	10.4	↗
Serie		30.0
Total		0.0



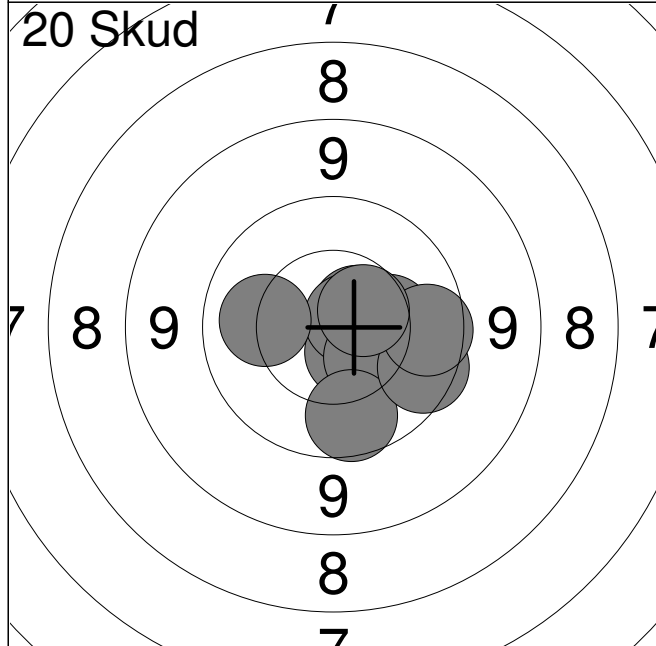
1:	9.8	→
2:	9.9	↖
3:	10.6x	↓
4:	9.7	↗
5:	9.5	↘
6:	10.5x	↘
7:	10.5x	→
8:	9.6	→
9:	10.0	→
10:	9.7	↗
Serie		94.0
Total		94.0



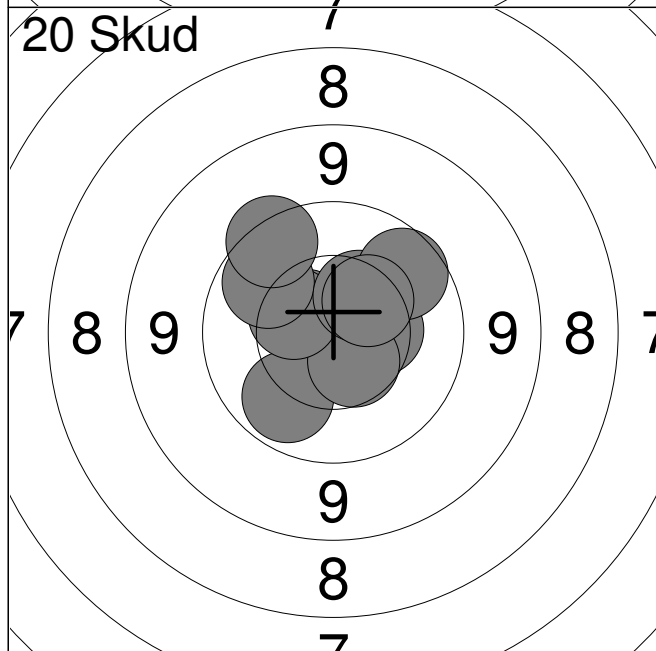
11:	10.3	↑
12:	9.9	→
13:	9.5	↗
14:	9.5	↗
15:	10.0	↘
16:	9.9	↗
17:	9.7	→
18:	9.1	→
19:	9.5	→
20:	8.6	→
Serie		91.0
Total		185.0



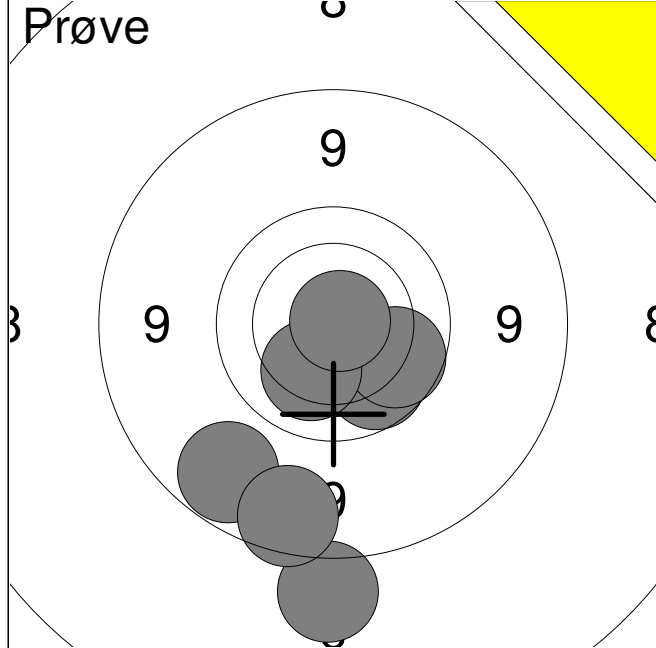
1:	10.7x	→
2:	10.8x	↑
3:	3.4	↙
4:	10.5	↗
5:	10.0	↗
6:	10.3	↗
7:	10.6x	↘
8:	10.7x	↑
Serie		73.0
Total		0.0



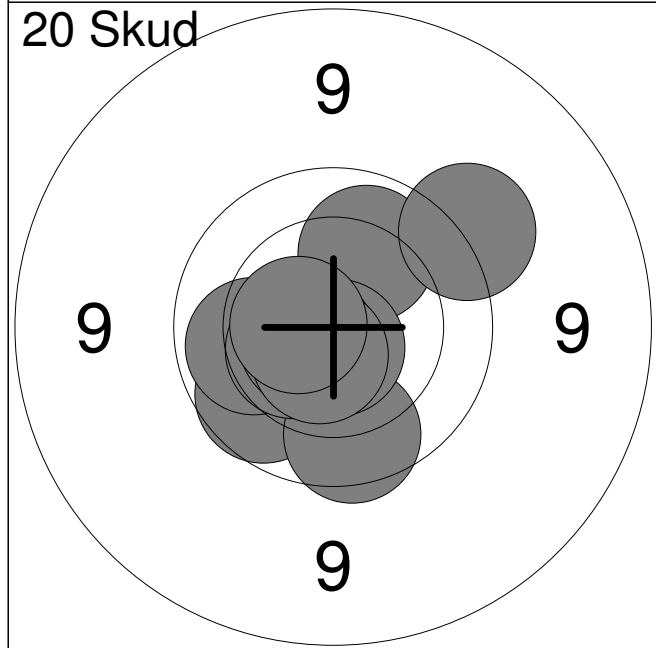
1:	10.6x	↘
2:	10.6x	↗
3:	10.7x	↗
4:	10.3	→
5:	10.4	↘
6:	9.9	↘
7:	9.8	↘
8:	9.8	→
9:	10.1	←
10:	10.5	↗
Serie		97.0
Total		97.0



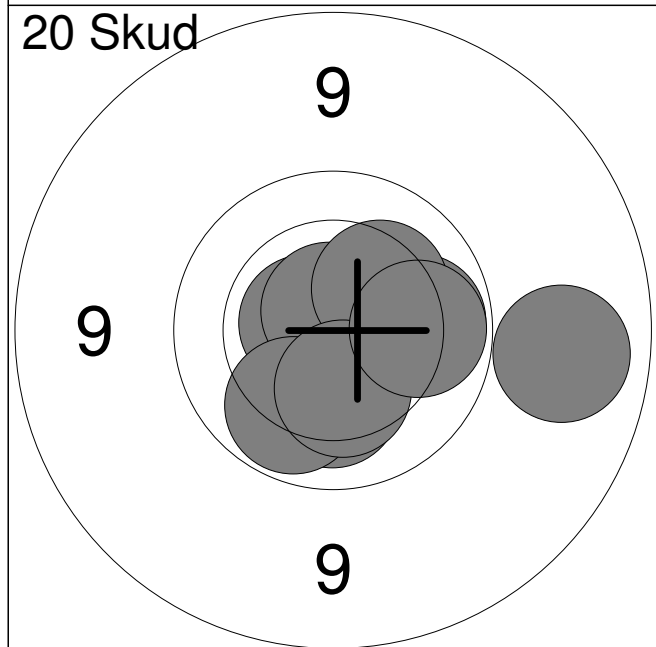
11:	10.6	↖
12:	10.0	↘
13:	10.4	→
14:	10.5	↘
15:	10.4	↖
16:	10.0	↗
17:	9.6	↗
18:	10.4	↗
19:	9.9	↗
20:	10.4	↗
Serie		98.0
Total		195.0



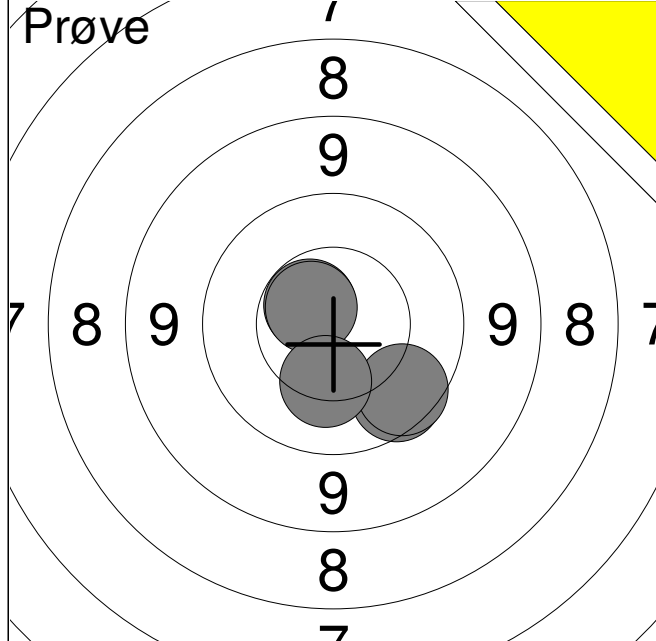
1:	9.0	↘
2:	8.5	↓
3:	8.9	↘
4:	9.9	↘
5:	9.9	→
6:	10.2	↘
7:	10.8x	→
Serie		63.0
Total		0.0



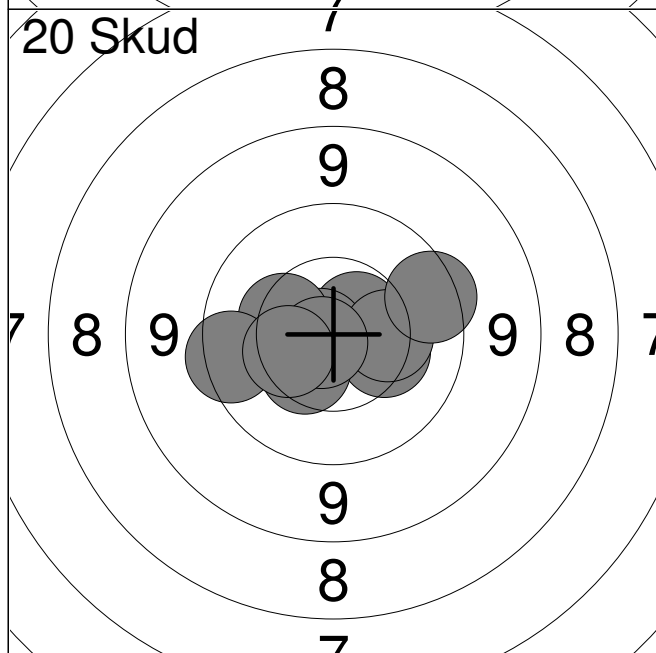
1:	9.9	↘
2:	10.1	←
3:	9.8	↓
4:	10.1	↗
5:	10.7x	↓
6:	10.4	←
7:	10.6x	←
8:	9.5	↗
9:	10.6x	↘
10:	10.6x	←
Serie		97.0
Total		97.0



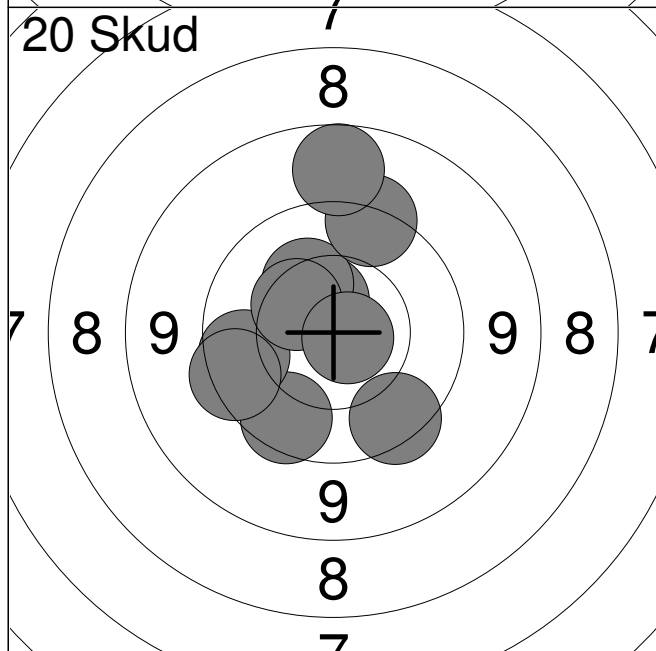
11:	10.8x	↘
12:	10.7x	←
13:	10.2	↓
14:	10.0	→
15:	10.7x	↑
16:	9.1	→
17:	10.0	↘
18:	10.3	↗
19:	10.3	↓
20:	10.0	→
Serie		99.0
Total		196.0



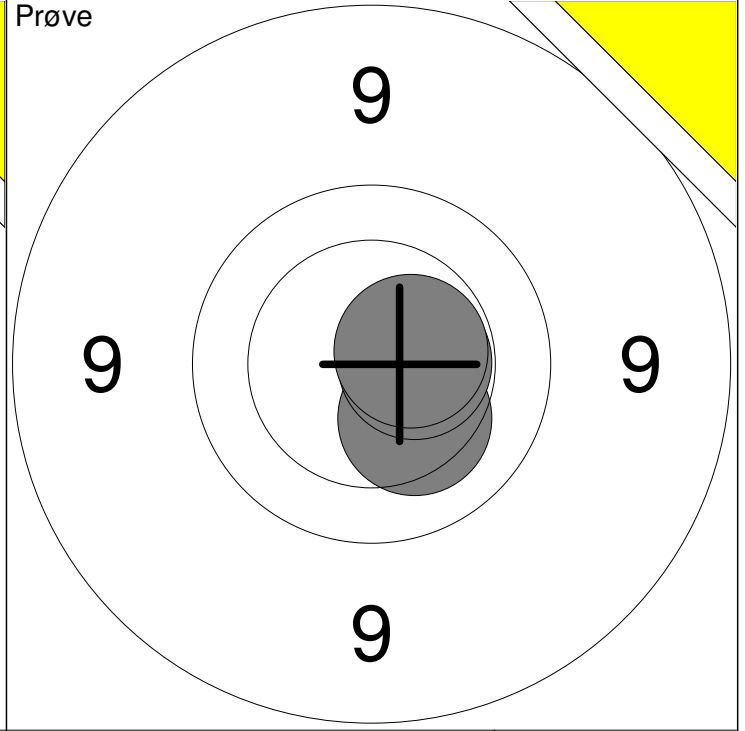
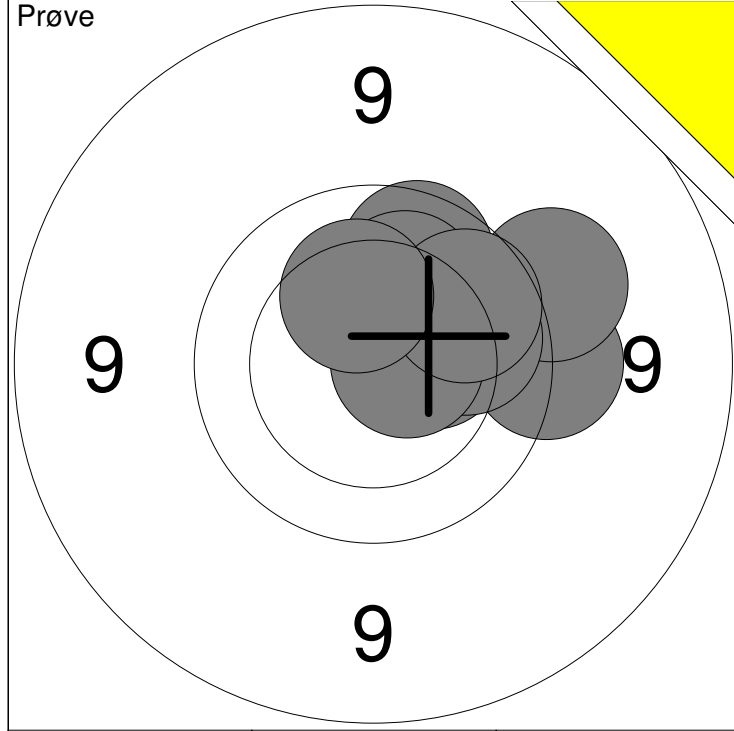
1:	9.8	↘
2:	9.8	↘
3:	10.6x	↗
4:	10.6x	↗
5:	10.3	↓
Serie		48.0
Total		0.0



1:	10.6x	↗
2:	10.8x	←
3:	10.3	→
4:	10.3	←
5:	10.3	→
6:	10.4	↘
7:	9.7	↗
8:	10.8x	←
9:	9.7	←
10:	10.4	←
Serie		98.0
Total		98.0

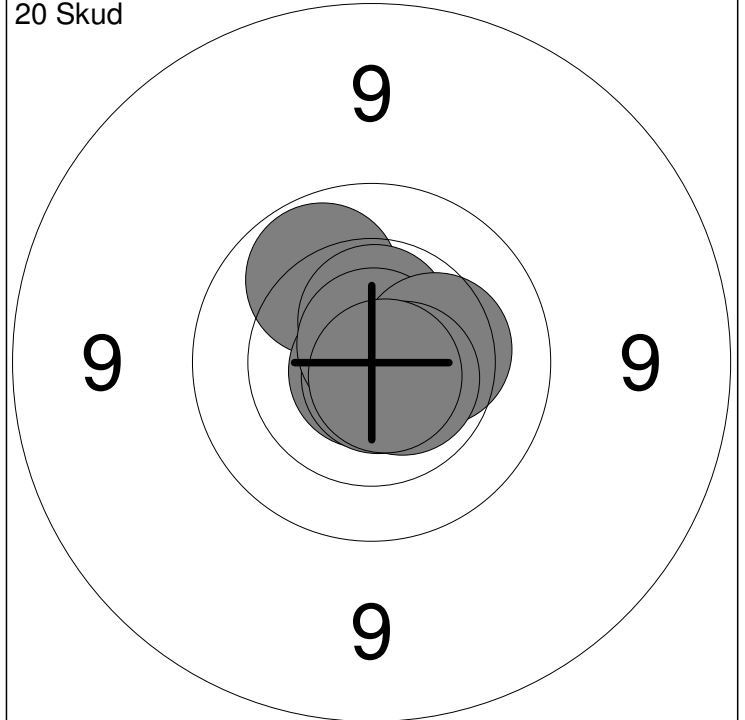
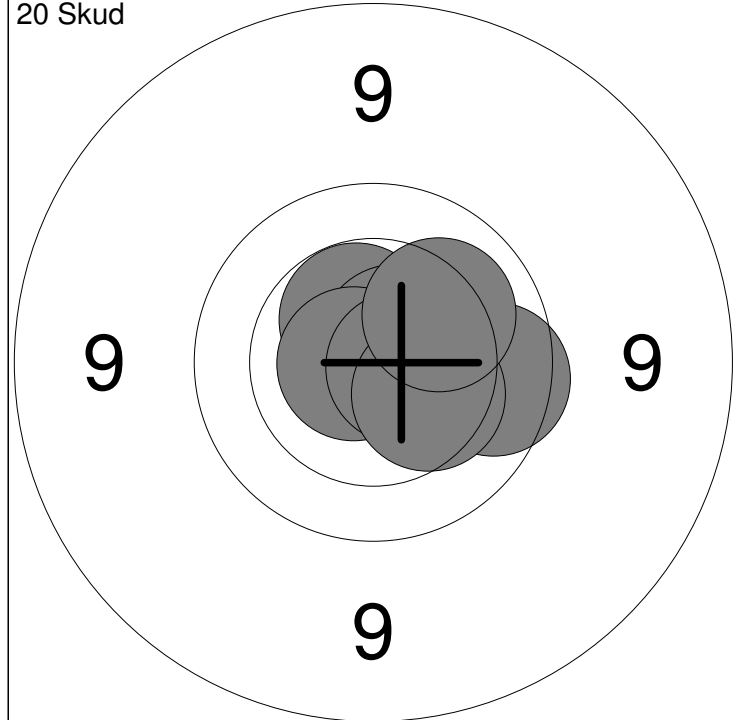


11:	10.6	↑
12:	9.8	↘
13:	9.9	←
14:	10.3	↗
15:	9.5	↑
16:	9.7	↘
17:	10.4	↗
18:	8.9	↑
19:	10.8x	→
20:	9.7	←
Serie		93.0
Total		191.0



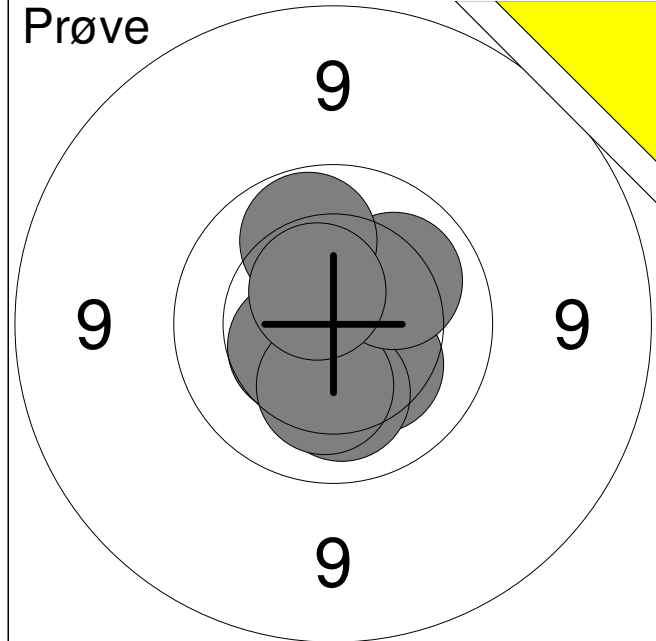
1: 9.6 →	6: 9.4 ↗	Serie	96
2: 10.2 ↗	7: 10.0 →		
3: 9.9 ↗	8: 10.6x →	Total	0
4: 10.1 ↗	9: 9.9 ↗		
5: 10.4 →	10: 10.3 ↗		

11: 10.3 ↘	Serie	30
12: 10.5x →		
13: 10.5x →	Total	0

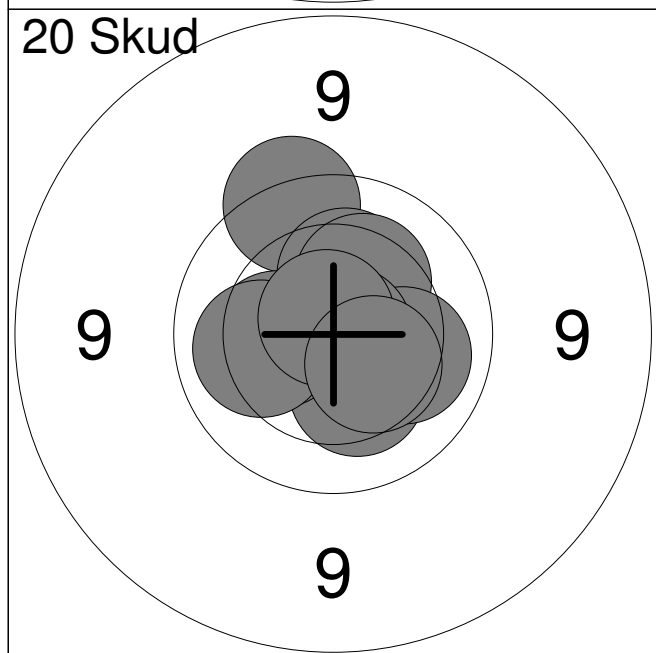


1: 10.6x ↗	6: 10.8x ←	Serie	99
2: 10.8x ↖	7: 9.8 →		
3: 10.6x →	8: 10.7x →	Total	99
4: 10.5x ↗	9: 10.3 ↘		
5: 10.6x ↗	10: 10.2 ↗		

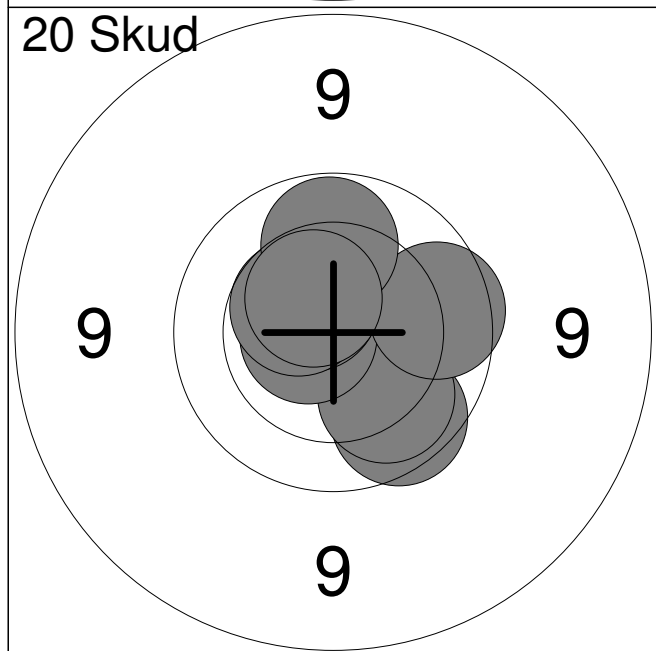
11: 10.6x ↗	16: 10.8x ↘	Serie	100
12: 10.0 ↖	17: 10.8x ↗		
13: 10.5x ↗	18: 10.3 →	Total	199
14: 10.9x →	19: 10.6x ↘		
15: 10.8x ↘	20: 10.8x ↘		



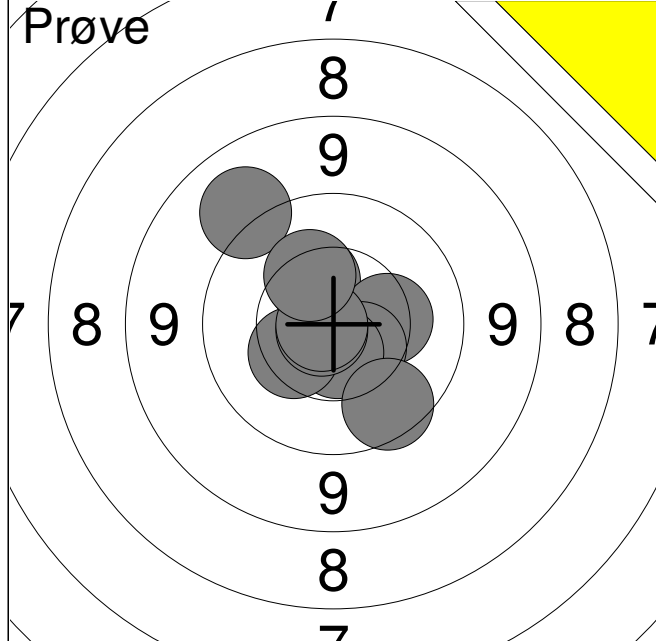
1:	10.3	↘
2:	10.2	↓
3:	10.5	↙
4:	10.6x	↑
5:	10.3	↓
6:	10.1	↗
7:	10.0	↑
8:	10.5x	↗
Serie		80.0
Total		0.0



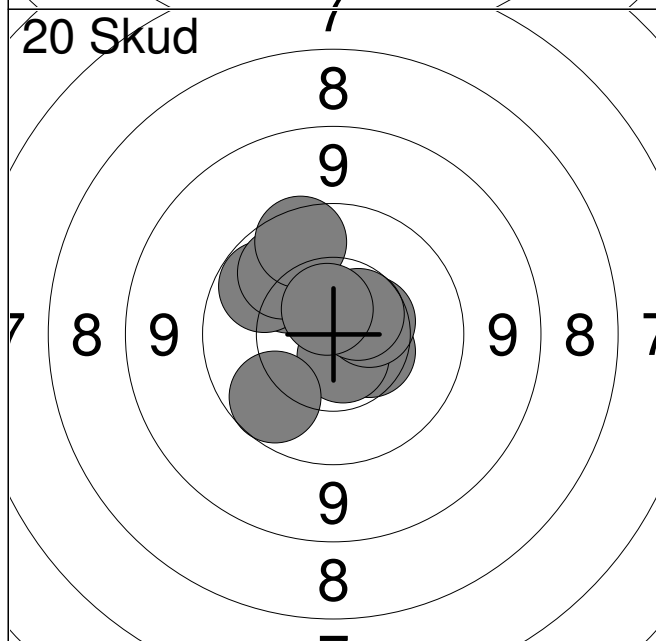
1:	9.7	↑
2:	10.3	↑
3:	10.3	↗
4:	10.3	↓
5:	10.1	→
6:	10.8x	→
7:	10.3	←
8:	10.1	←
9:	10.8x	↑
10:	10.4	↘
Serie		99.0
Total		99.0



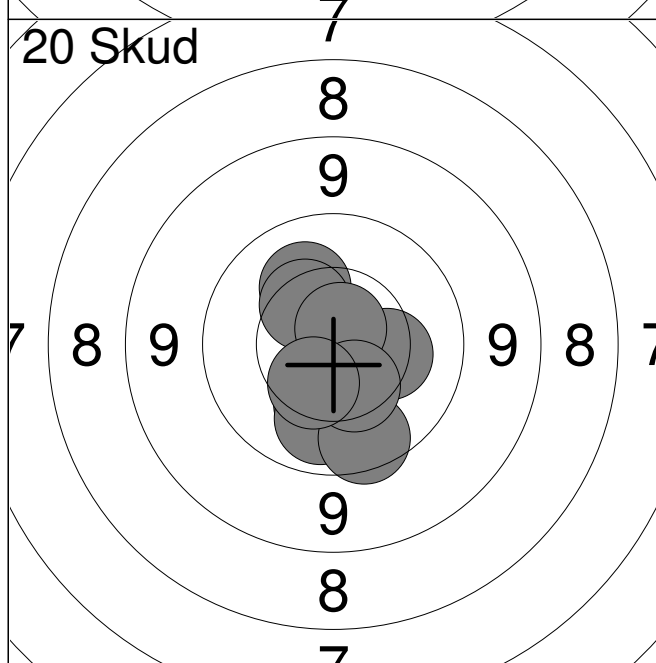
11:	10.7x	↑
12:	10.5x	↗
13:	9.8	↘
14:	10.1	↘
15:	10.7x	←
16:	9.9	→
17:	10.5x	↗
18:	10.5	↗
19:	10.0	↑
20:	10.5x	↗
Serie		98.0
Total		197.0



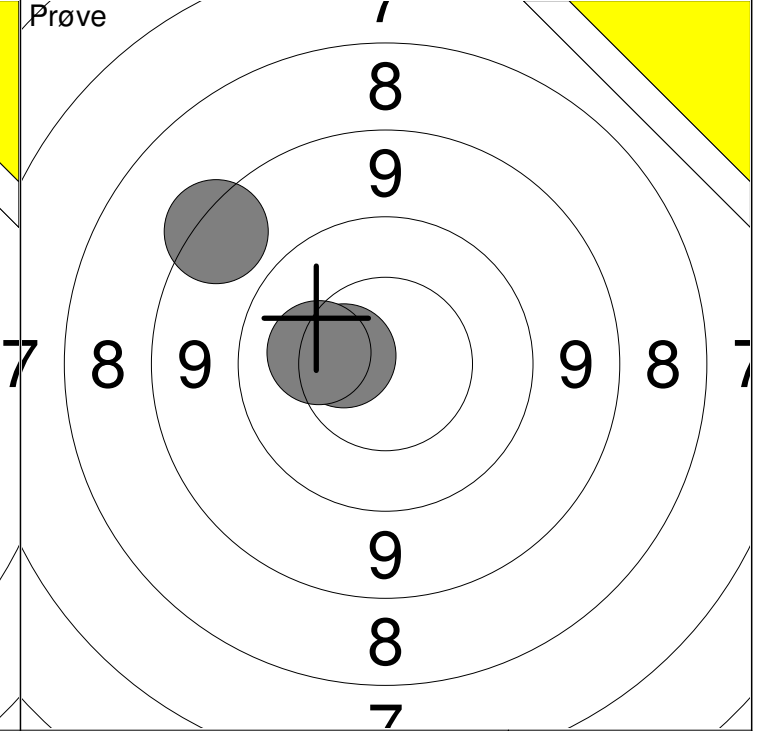
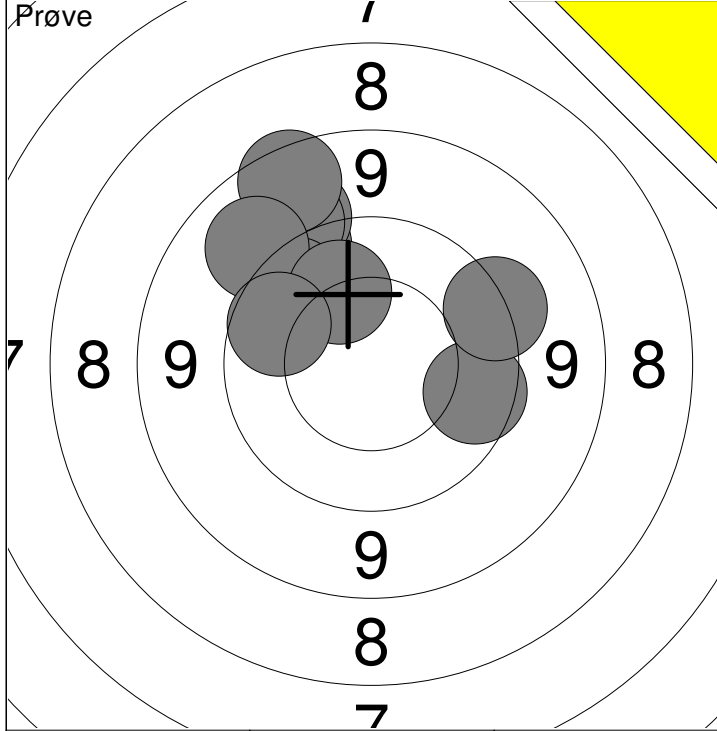
1:	10.4	↗
2:	10.3	→
3:	10.5	↘
4:	10.6x	↘
5:	9.8	↘
6:	10.4	↖
7:	10.8x	↖
8:	9.2	↗
9:	10.8x	←
10:	10.3	↗
Serie		98.0
Total		0.0



1:	10.5	↘
2:	10.7x	↘
3:	10.2	↗
4:	10.5	→
5:	10.0	↗
6:	10.6	↗
7:	10.0	↗
8:	9.8	↗
9:	9.9	↘
10:	10.6x	↗
Serie		98.0
Total		98.0

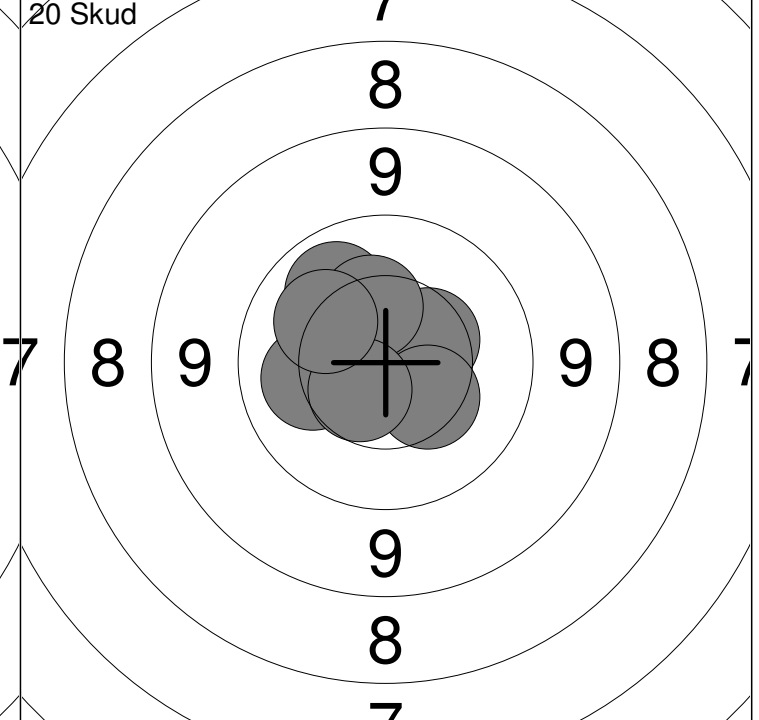
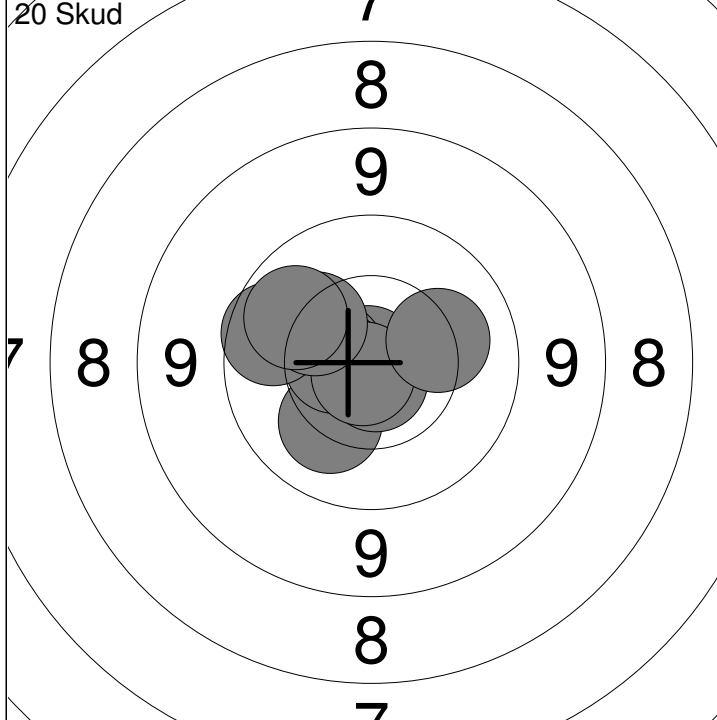


11:	10.2	↘
12:	10.1	↘
13:	10.7x	↘
14:	10.2	↗
15:	10.3	↘
16:	10.4	↗
17:	9.8	↘
18:	10.7x	↗
19:	10.4	↘
20:	10.4	↘
Serie		99.0
Total		197.0



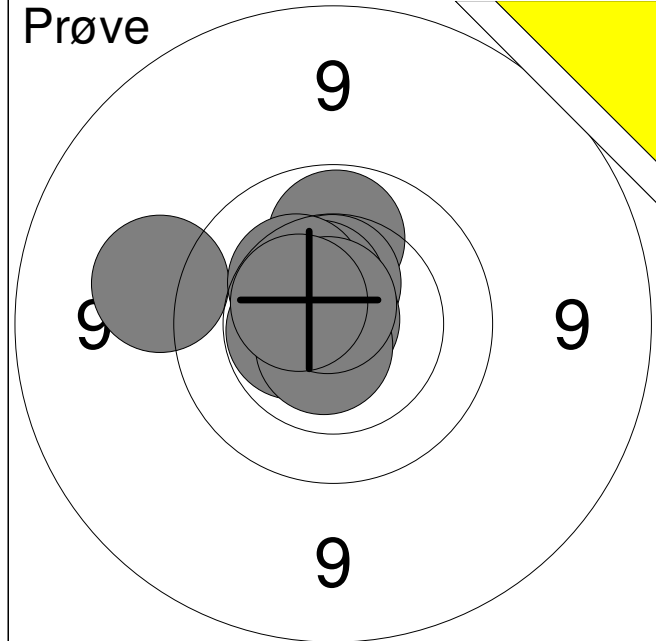
1: 9.4 ↗	6: 9.2 ↗	Serie	90
2: 9.2 ↗	7: 10.1 ↗		
3: 9.2 ↗	8: 9.8 →	Total	0
4: 8.7 ↗	9: 9.5 ↗		
5: 9.8 ↗	10: 9.9 ←		

11: 8.6 ↗	Serie	28
12: 10.5 ←		
13: 10.2 ←	Total	0

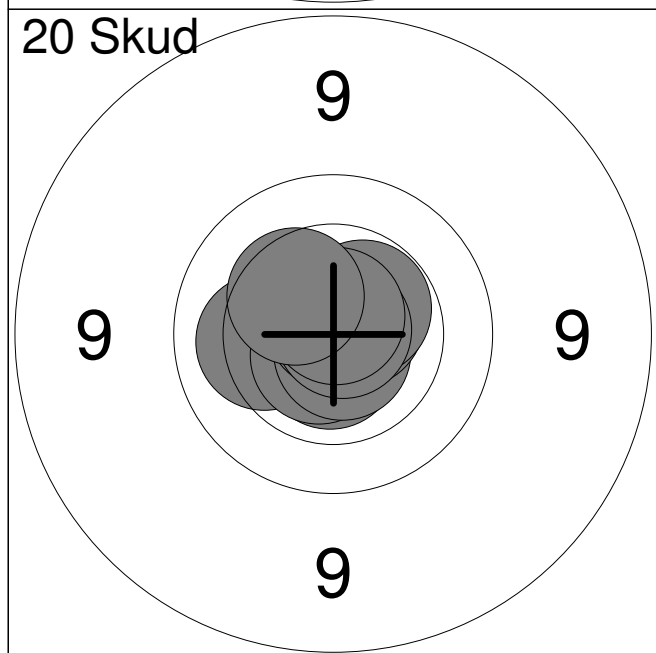


1: 10.9x ↗	6: 9.9 ←	Serie	99
2: 10.2 ↘	7: 10.8x ↘		
3: 10.8x ↘	8: 10.2 ←	Total	99
4: 10.5 ←	9: 10.0 ←		
5: 10.6 ←	10: 10.2 →		

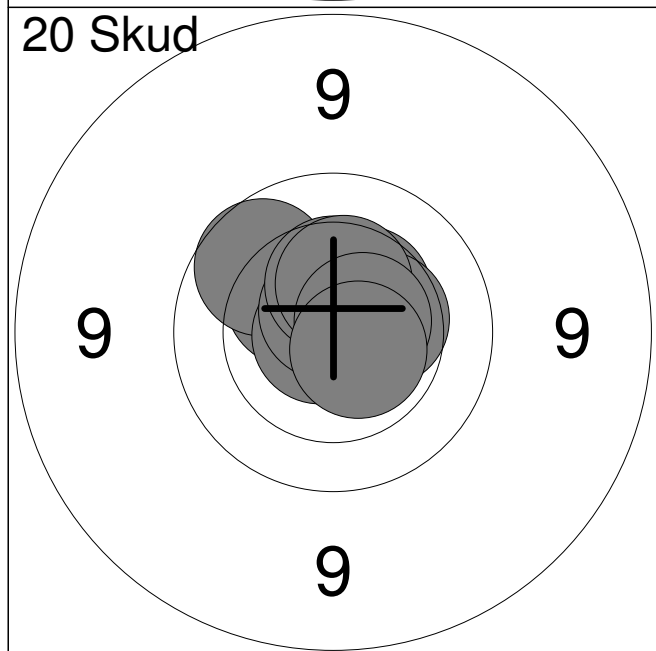
11: 10.7x ←	16: 10.4 ↗	Serie	90
12: 10.1 ↗	17: 0.0		
13: 10.8x ↗	18: 10.2 ←	Total	189
14: 10.4 ↗	19: 10.6 ↘		
15: 10.4 ↘	20: 10.2 ←		



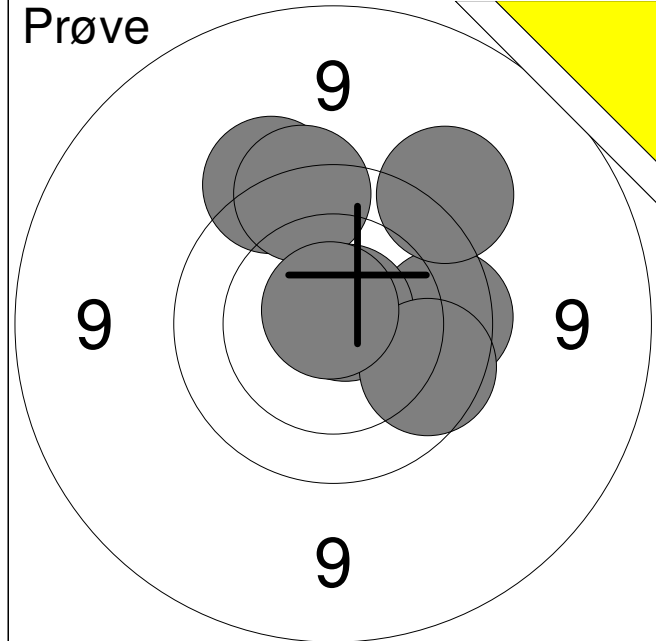
1:	9.4	←
2:	10.0	↑
3:	10.5x	↑
4:	10.5x	↗
5:	10.3	↗
6:	10.9x	↗
7:	10.5x	←
8:	10.7x	↓
9:	10.7x	↑
10:	10.5x	↖
Serie		99.0
Total		0.0



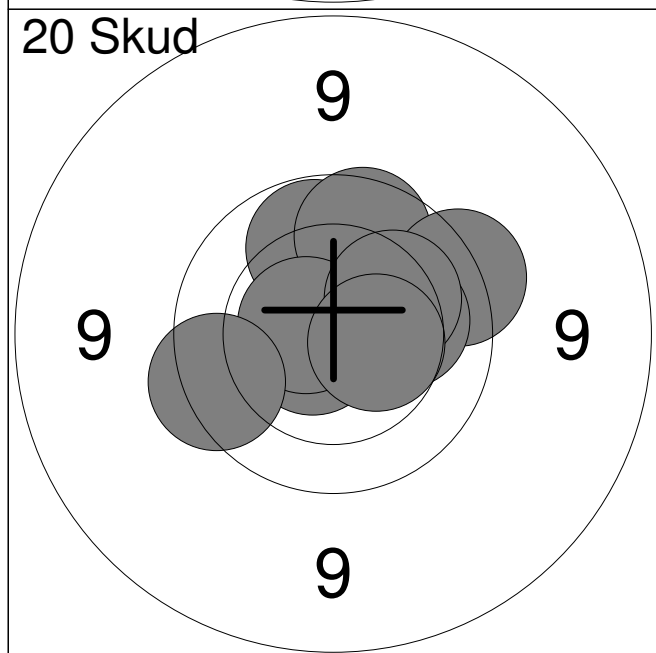
1:	10.7x	↓
2:	10.2	←
3:	10.7x	↓
4:	10.7x	↓
5:	10.7x	↗
6:	10.8x	↑
7:	10.5x	↗
8:	10.8x	↗
9:	10.8x	↑
10:	10.4	↖
Serie		100.0
Total		100.0



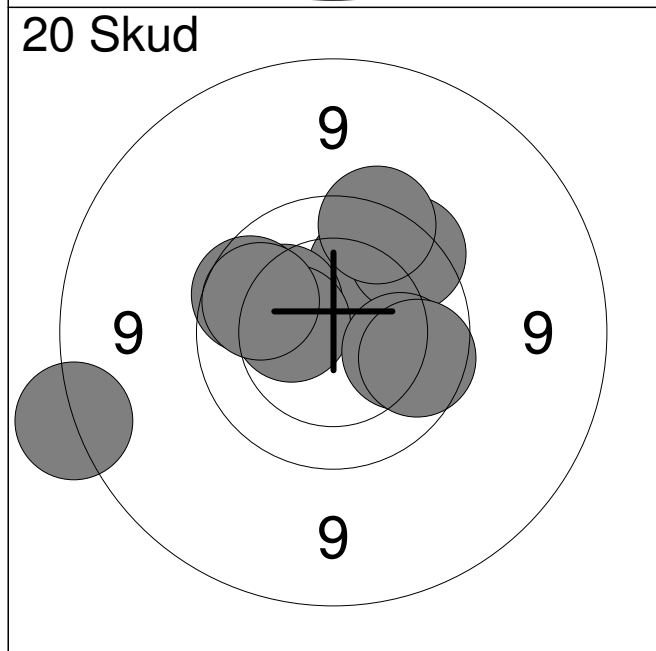
11:	10.4	↗
12:	10.4	↖
13:	9.9	↗
14:	10.8x	←
15:	10.4	→
16:	10.7x	↑
17:	10.4	↑
18:	10.4	↑
19:	10.6x	↗
20:	10.6x	↓
Serie		99.0
Total		199.0



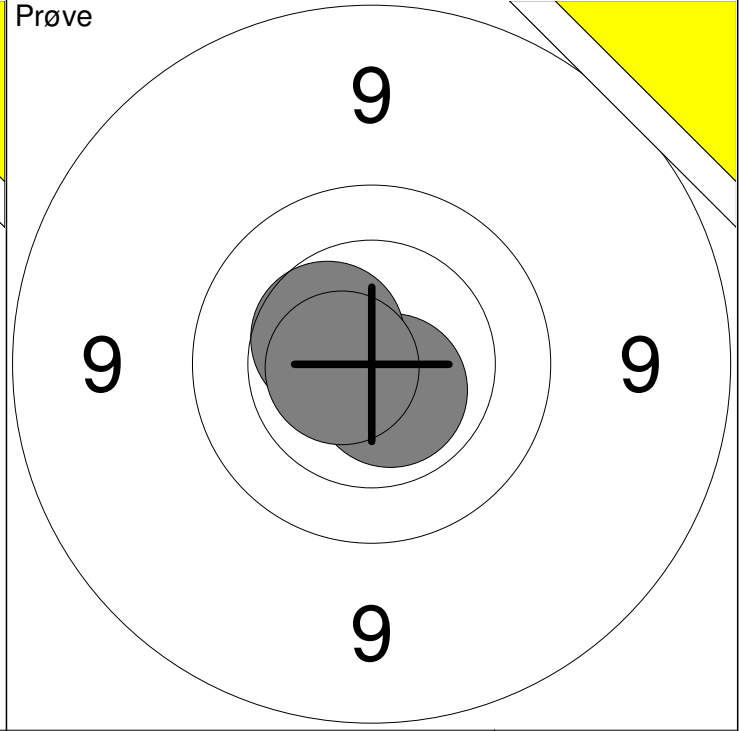
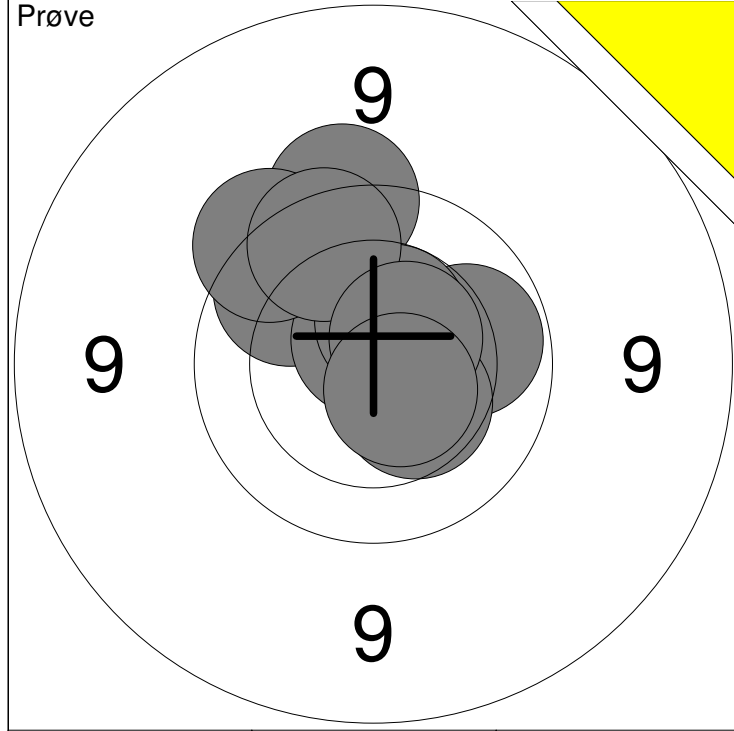
1:	9.6	↗
2:	9.7	↑
3:	9.8	→
4:	9.4	↗
5:	10.8x	↗
6:	9.9	→
7:	10.8x	↑
Serie		65.0
Total		0.0



1:	10.1	↗
2:	10.7x	↖
3:	10.0	↑
4:	9.9	↑
5:	10.6x	↖
6:	9.7	→
7:	9.7	↖
8:	10.2	→
9:	10.2	↗
10:	10.5	→
Serie		97.0
Total		97.0

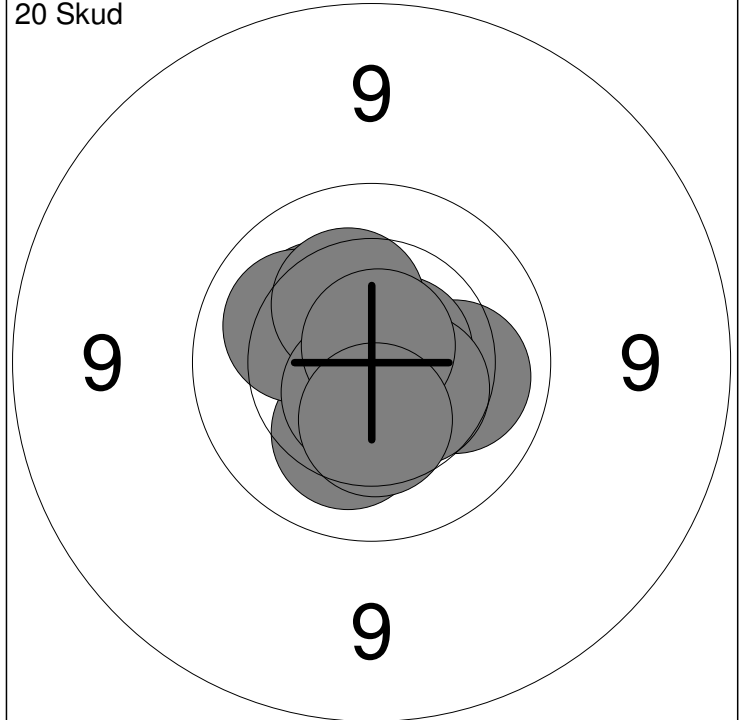
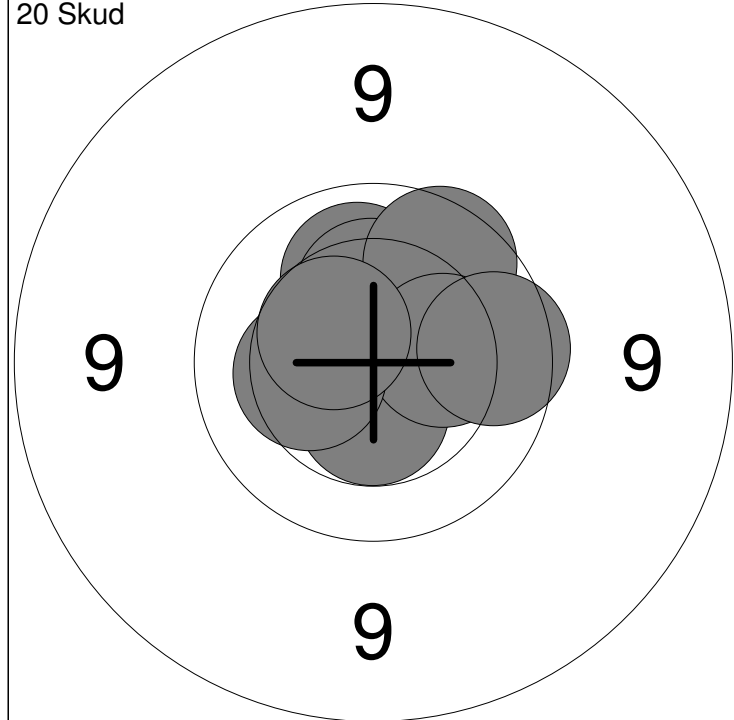


11:	10.1	↗
12:	9.7	↗
13:	10.2	↖
14:	9.9	↖
15:	10.4	↖
16:	10.1	→
17:	9.9	↖
18:	8.7	↖
19:	9.9	→
20:	9.7	↑
Serie		93.0
Total		190.0



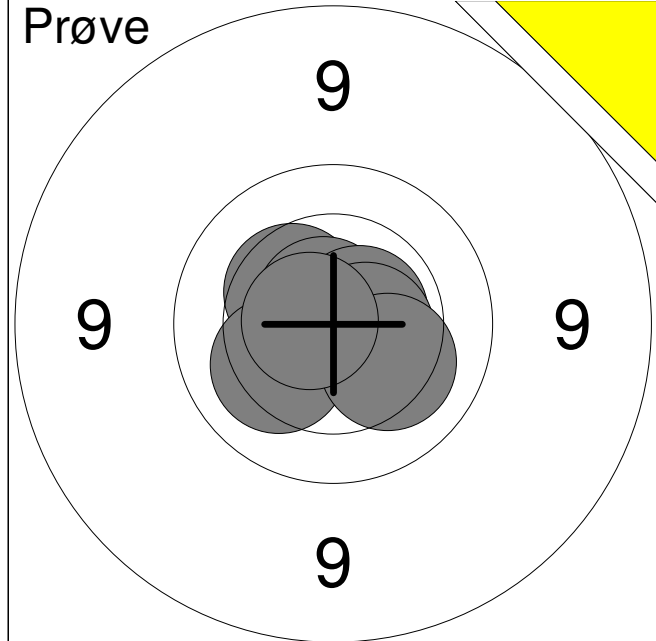
1: 10.0 →	6: 9.6 ↖	Serie	96
2: 10.4 ↘	7: 10.5x ↗		
3: 9.6 ↑	8: 9.8 ↗	Total	0
4: 9.9 ↖	9: 10.5x ↗		
5: 10.7x ↑	10: 10.6x ↘		

11: 10.6x ↘	Serie	30
12: 10.4 ↗		
13: 10.7x ←	Total	0

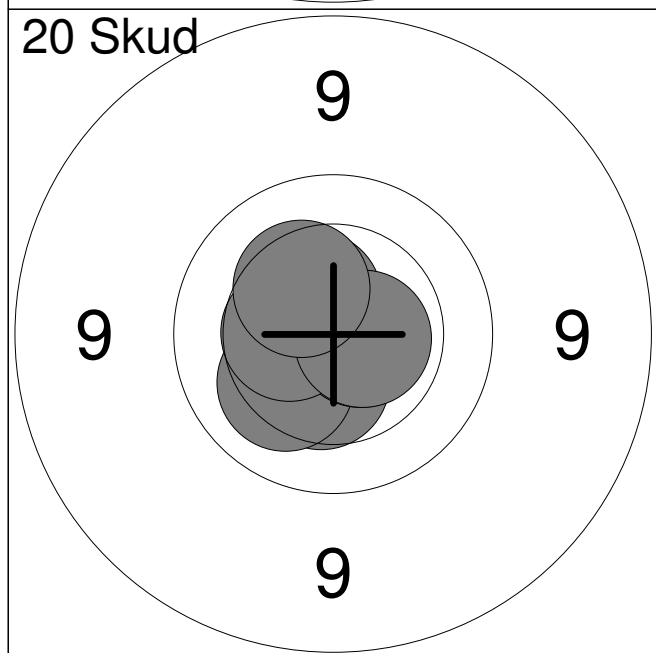


1: 10.1 ↑	6: 9.9 ↗	Serie	98
2: 10.8x →	7: 10.3 →		
3: 10.5x ↓	8: 10.3 ←	Total	98
4: 10.0 →	9: 10.5 ↖		
5: 10.3 ↑	10: 9.8 →		

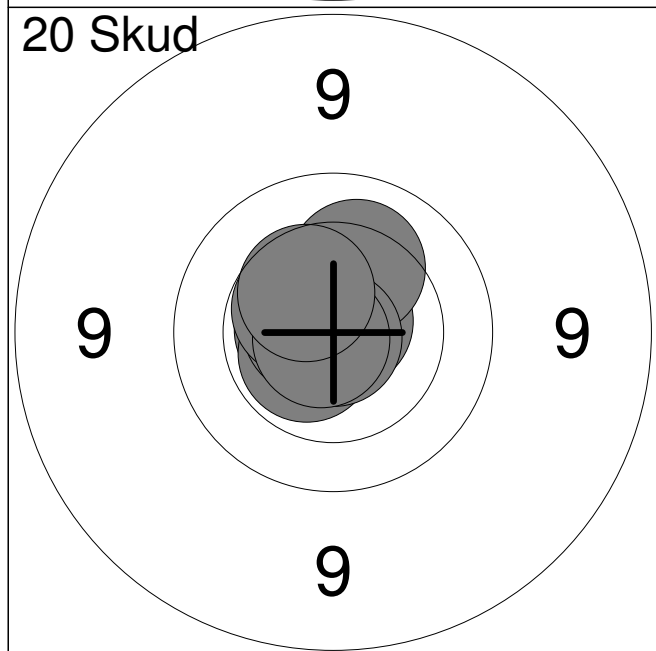
11: 10.1 →	16: 10.5 ↘	Serie	100
12: 10.7x →	17: 10.3 ↗		
13: 10.2 ↓	18: 10.6x ↓	Total	198
14: 10.3 ↗	19: 10.8x ↗		
15: 10.2 ↖	20: 10.4 ↓		



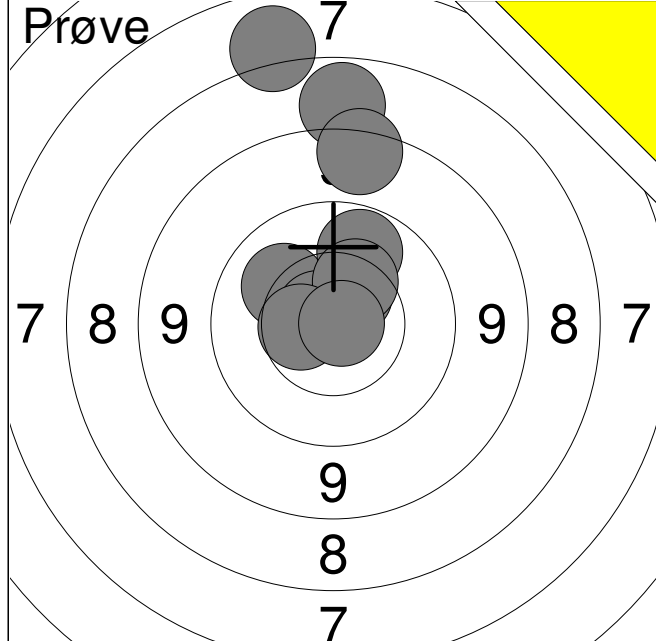
1:	10.5	↘
2:	10.4	↗
3:	10.7x	↗
4:	10.6x	→
5:	10.6x	→
6:	10.2	↖
7:	10.2	↘
8:	10.7x	←
Serie		80.0
Total		0.0



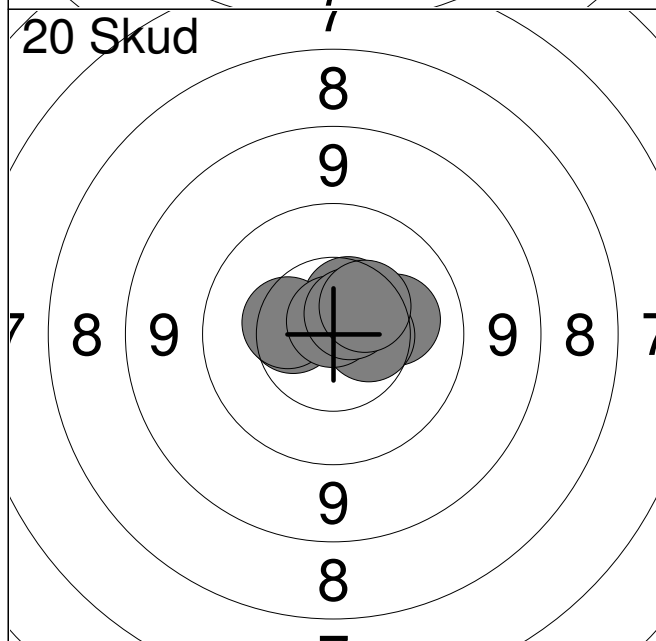
1:	10.7x	←
2:	10.4	↓
3:	10.8x	←
4:	10.5x	↗
5:	10.7x	←
6:	10.2	↘
7:	10.6x	→
8:	10.5	←
9:	10.6x	→
10:	10.3	↗
Serie		100.0
Total		100.0



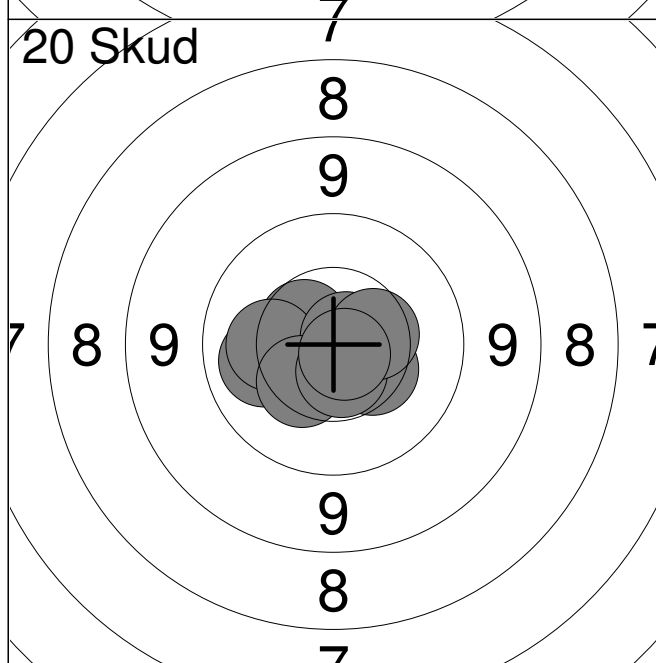
11:	10.6x	←
12:	10.6x	↖
13:	10.8x	↗
14:	10.2	↗
15:	10.7x	←
16:	10.8x	←
17:	10.9x	↓
18:	10.5x	↗
19:	10.8x	↖
20:	10.4	↗
Serie		100.0
Total		200.0



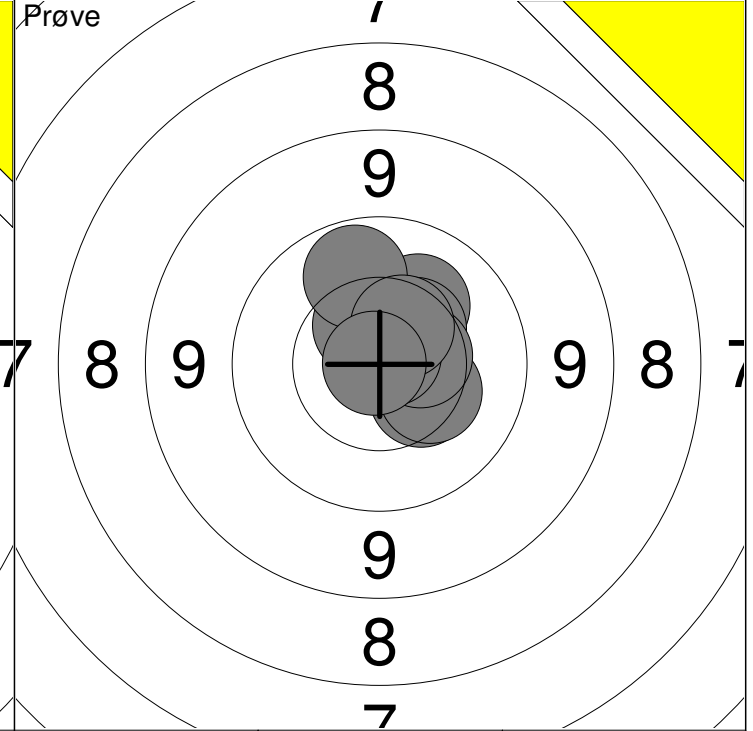
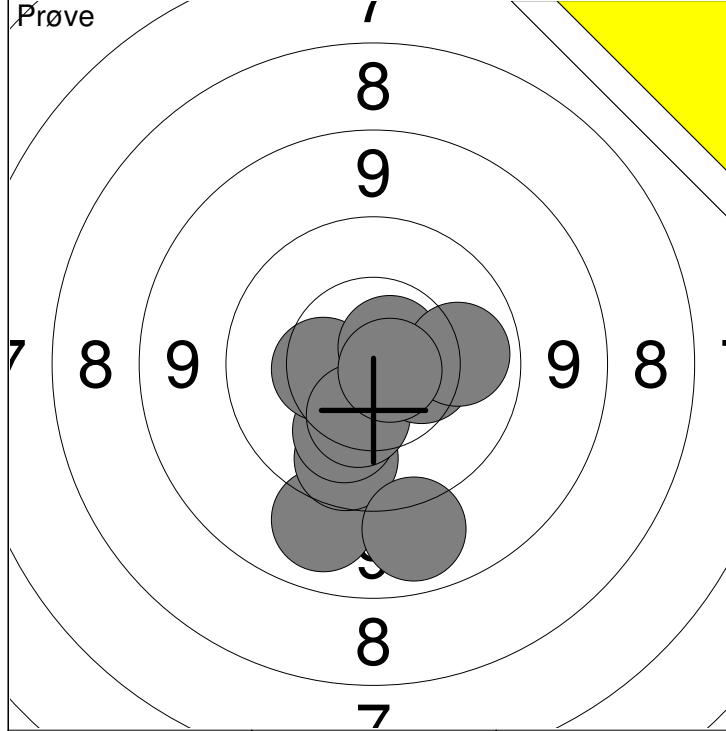
1:	7.1	↑
2:	8.0	↑
3:	8.6	↑
4:	10.5	↗
5:	10.2	↖
6:	10.0	↑
7:	10.7x	↖
8:	10.3	↗
9:	10.5	←
10:	10.8x	→
Serie	93.0	
Total	0.0	



1:	10.5	↗
2:	10.5	←
3:	10.4	↗
4:	10.5	↗
5:	10.2	→
6:	10.5	→
7:	10.4	←
8:	10.8x	↑
9:	10.6x	↗
10:	10.4	↗
Serie	100.0	
Total	100.0	

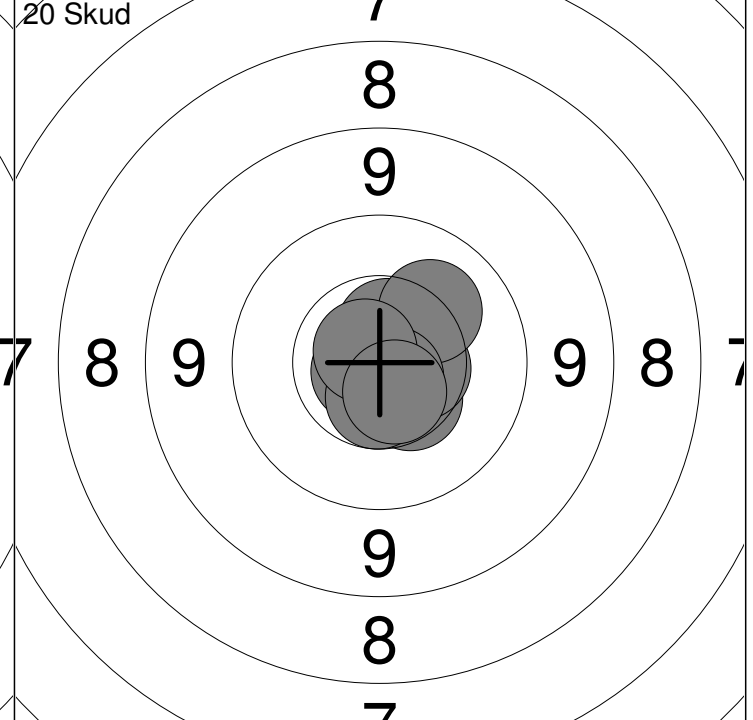
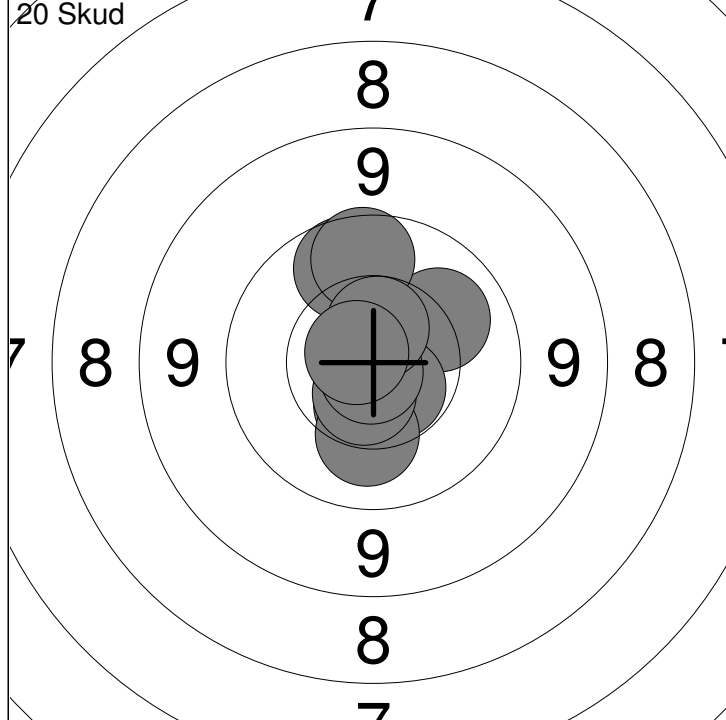


11:	10.5	↖
12:	10.4	↘
13:	10.1	←
14:	10.6x	↘
15:	10.2	←
16:	10.8x	↗
17:	10.4	↘
18:	10.6x	↘
19:	10.5	→
20:	10.8x	↘
Serie	100.0	
Total	200.0	



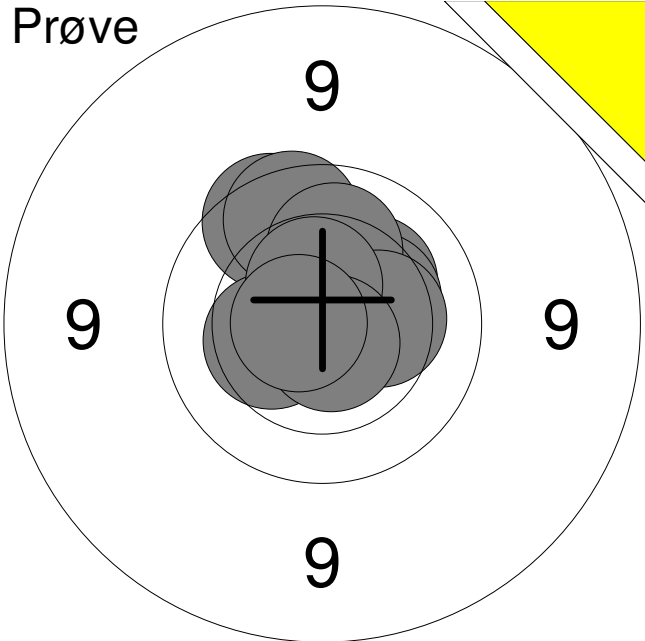
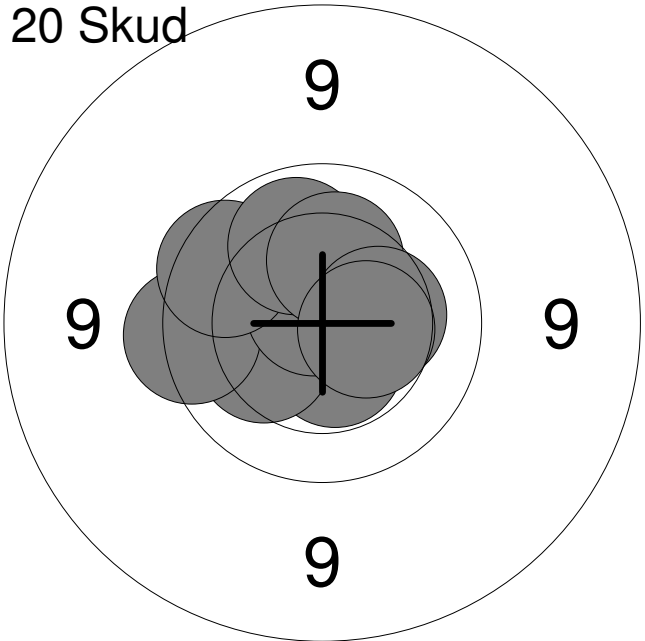
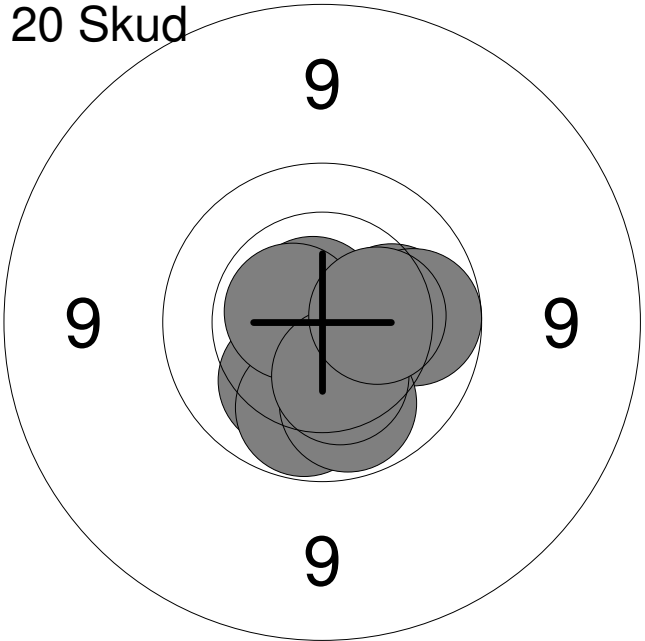
1: 9.2 ↓	6: 10.4 ↓	Serie	97
2: 9.9 ↓	7: 10.4 →		
3: 9.1 ↓	8: 10.7x ↗	Total	0
4: 10.2 ↓	9: 10.1 →		
5: 10.4 ←	10: 10.8x →		

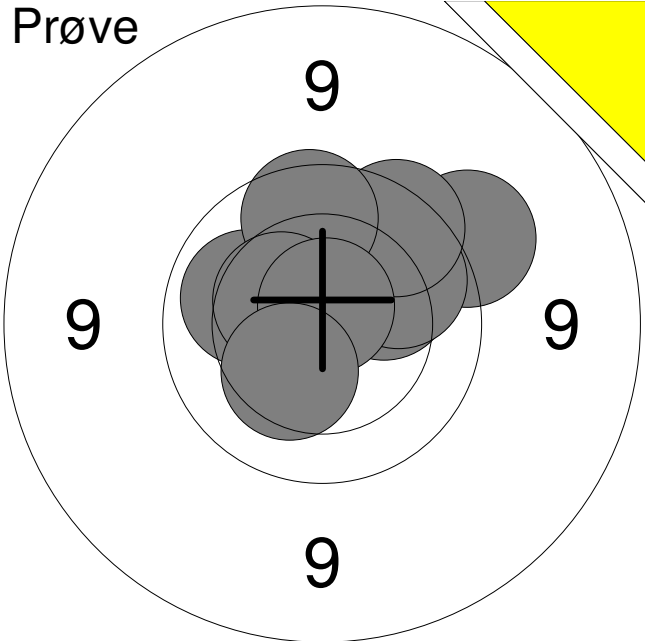
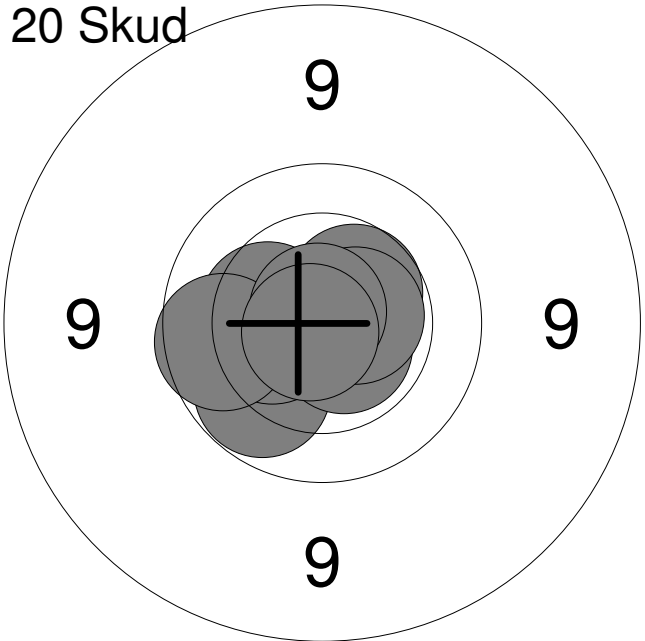
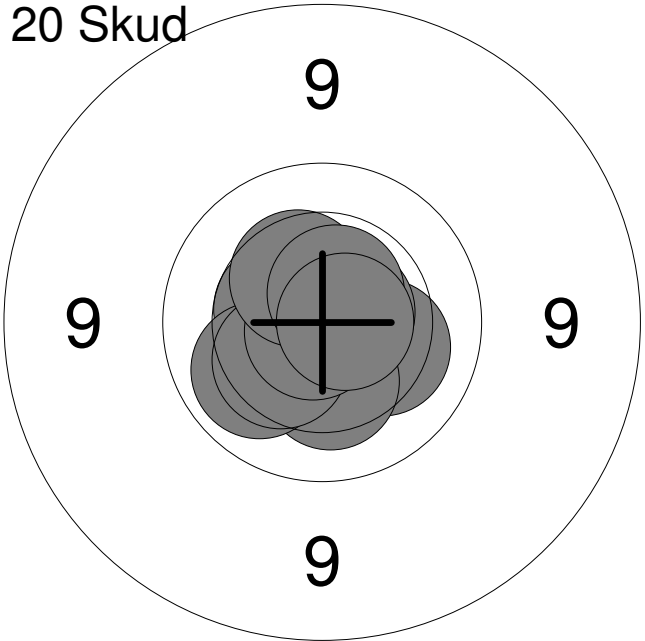
11: 10.4 ↘	16: 10.5 →	Serie	100
12: 10.3 ↘	17: 10.8x ↗		
13: 10.5 ↗	18: 10.0 ↗	Total	0
14: 10.2 ↗	19: 10.5 ↗		
15: 10.4 ↗	20: 10.9x ←		

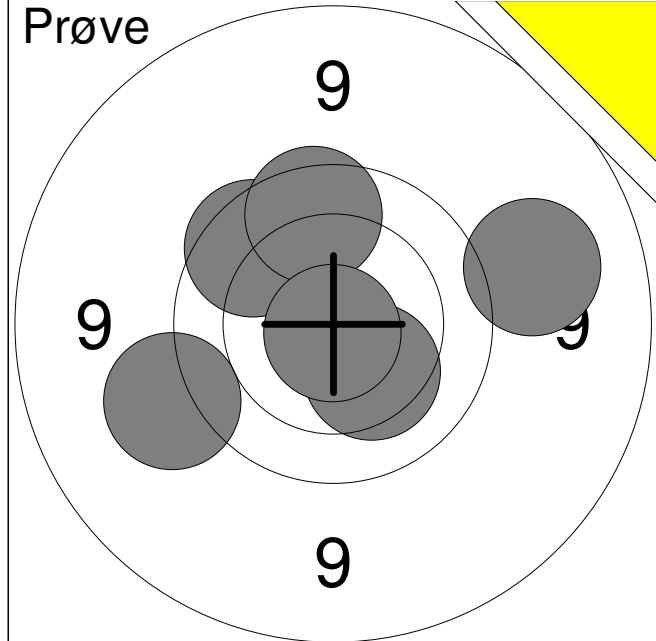


1: 10.1 ↗	6: 10.2 ↓	Serie	98
2: 10.5 ↓	7: 10.6x ↓		
3: 9.9 ↗	8: 10.8x ↓	Total	98
4: 9.9 ↗	9: 10.6x ↗		
5: 10.6x ↓	10: 10.8x ↖		

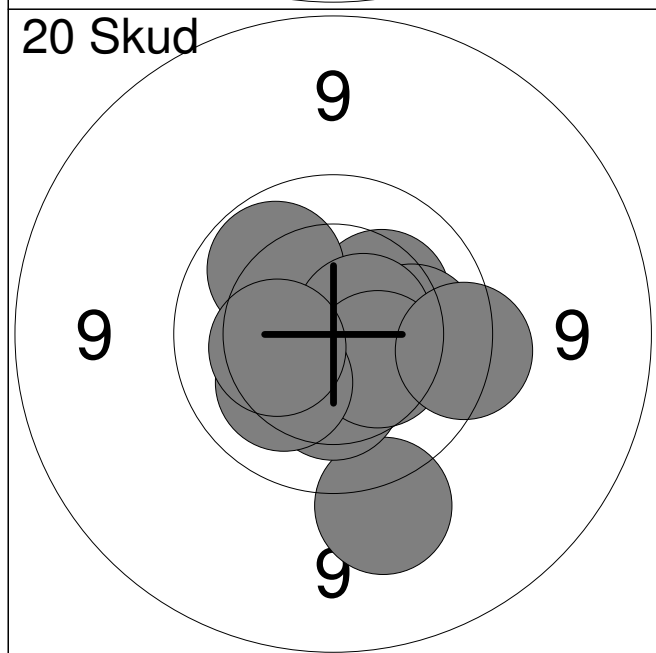
11: 10.4 ↓	16: 10.2 ↗	Serie	100
12: 10.6x ↗	17: 10.7x ↓		
13: 10.8x ↖	18: 10.6x ↓	Total	198
14: 10.5 →	19: 10.8x ↖		
15: 10.9x ↗	20: 10.6x ↓		

Hold	Skive	Daniel Larsen	
AAS	Vester Hassing Skf.	MB1	
15 meter stævne 2016		Aalborg Skyttekreds	
Prøve 	1:	9.8	↗
	2:	9.8	↑
	3:	10.3	↗
	4:	10.3	↗
	5:	10.4	←
	6:	10.1	↑
	7:	10.3	→
	8:	10.5x	↑
	9:	10.7x	↓
	10:	10.7x	←
	Serie		98.0
Total		0.0	
20 Skud 	1:	10.5x	←
	2:	10.5x	↓
	3:	10.2	←
	4:	9.7	←
	5:	10.8x	↗
	6:	9.8	↗
	7:	10.1	↗
	8:	10.2	↑
	9:	10.3	→
	10:	10.5	→
	Serie		98.0
Total		98.0	
20 Skud 	11:	10.9x	↓
	12:	10.2	↓
	13:	10.0	↓
	14:	10.2	→
	15:	9.9	→
	16:	10.7x	↗
	17:	10.0	↓
	18:	10.6x	↖
	19:	10.3	↓
	20:	10.3	→
	Serie		99.0
Total		197.0	

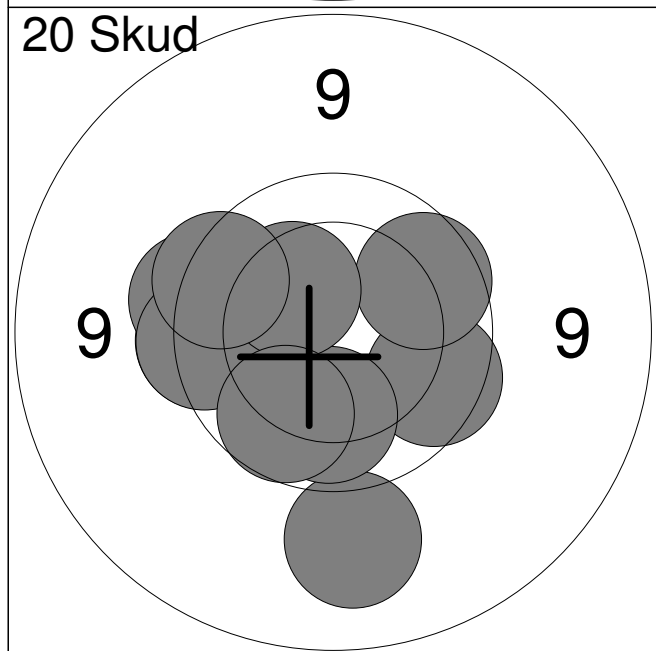
Hold 30	Skive 3	Thomas Grøn Bendixen	
AAS		Hjørring Skytteforening	MJ2
		15 meter stævne 2016	Aalborg Skyttekreds
Prøve 	1:	9.5	↗
	2:	10.2	↗
	3:	10.0	↗
	4:	9.8	↗
	5:	10.1	↖
	6:	9.8	↑
	7:	10.4	↖
	8:	10.8x	↑
	9:	10.3	↘
	Serie		87.0
Total		0.0	
20 Skud 	1:	10.0	↘
	2:	10.4	←
	3:	10.6x	↘
	4:	10.4	←
	5:	10.5	↗
	6:	10.3	←
	7:	10.6x	→
	8:	9.9	←
	9:	10.8x	↑
	10:	10.8x	↘
Serie		99.0	
Total		99.0	
20 Skud 	11:	10.2	↘
	12:	10.5	←
	13:	10.3	↓
	14:	10.1	↘
	15:	10.3	↘
	16:	10.7x	→
	17:	10.8x	↘
	18:	10.4	↗
	19:	10.6x	↑
	20:	10.7x	→
Serie		100.0	
Total		199.0	



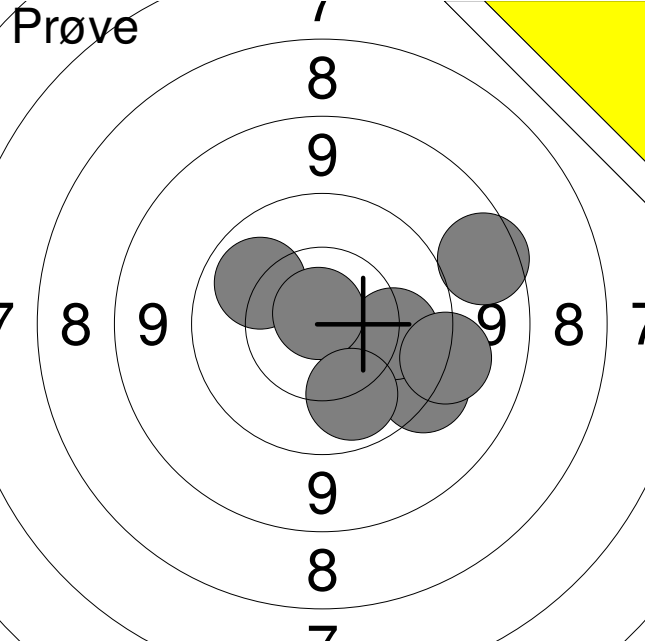
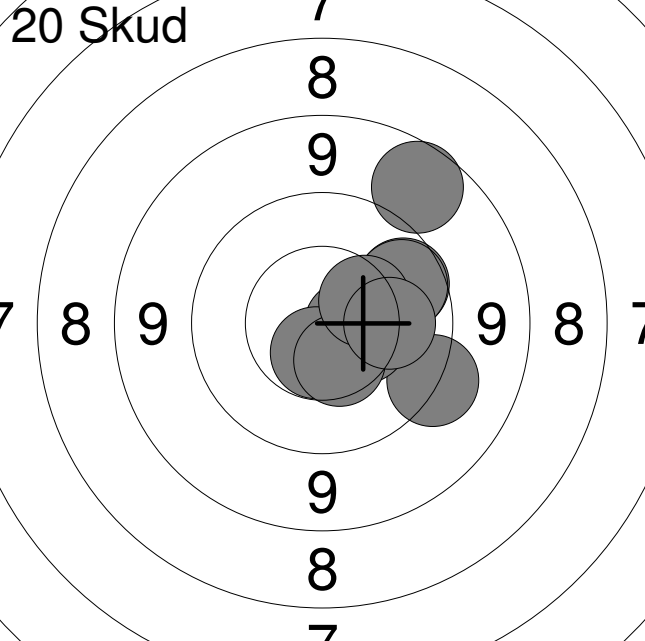
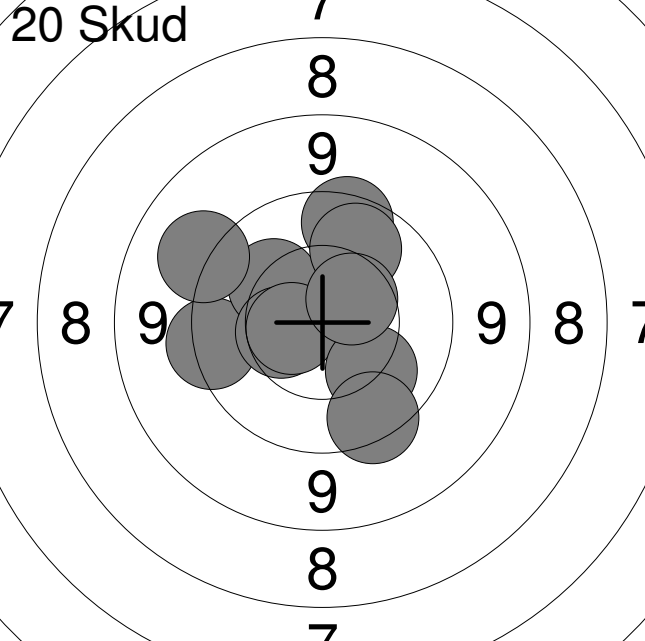
1:	9.4	↙
2:	9.8	↗
3:	9.2	→
4:	9.8	↑
5:	10.3	↘
6:	10.8x	↓
Serie		56.0
Total		0.0

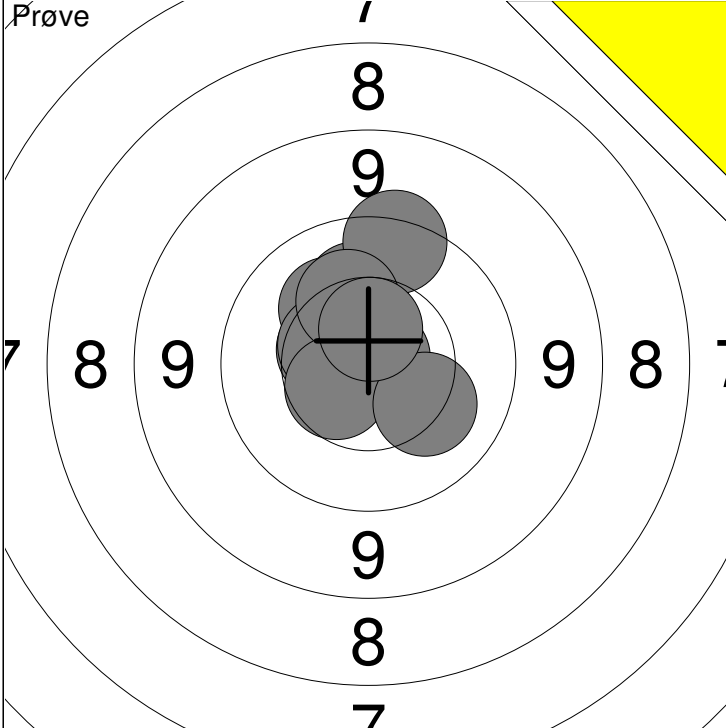


1:	9.4	↓
2:	10.3	↓
3:	10.3	↗
4:	10.1	→
5:	10.0	↗
6:	10.6x	→
7:	10.4	↘
8:	9.7	→
9:	10.2	↙
10:	10.3	←
Serie		98.0
Total		98.0



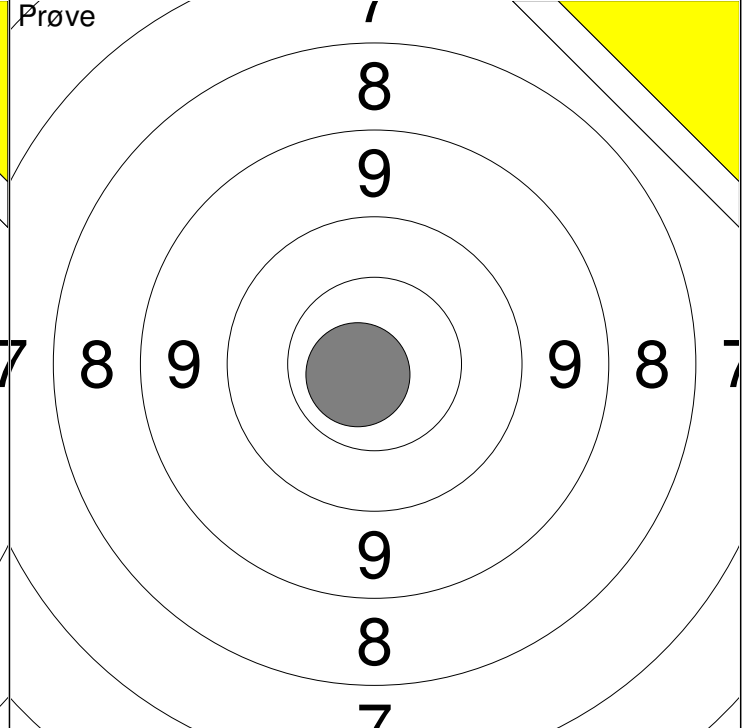
11:	9.7	←
12:	9.6	←
13:	9.8	↘
14:	9.9	↗
15:	9.2	↓
16:	10.0	↓
17:	9.7	←
18:	10.3	↗
19:	9.7	↙
20:	9.9	↘
Serie		92.0
Total		190.0

Hold	Skive	Bent Jensen	
30	6		
AAS		Boddum-Ydby Skytteforening	SE1
		15 meter stævne 2016	Aalborg Skyttekreds
Prøve		1: 9.5	↘
		2: 8.8	→
		3: 10.1	→
		4: 9.4	→
		5: 10.1	↗
		6: 10.8x	↗
		7: 10.0	↘
		Serie	66.0
		Total	0.0
20 Skud		1: 9.9	↗
		2: 9.9	↗
		3: 10.6x	→
		4: 9.4	↘
		5: 10.6x	↓
		6: 8.9	↗
		7: 10.4	→
		8: 10.5	↓
		9: 10.4	↗
		10: 10.2	→
		Serie	95.0
		Total	95.0
20 Skud		11: 9.6	←
		12: 9.7	↑
		13: 10.2	↗
		14: 10.5	←
		15: 9.3	↗
		16: 10.6x	←
		17: 10.0	↗
		18: 10.1	↘
		19: 9.7	↘
		20: 10.5	↗
		Serie	96.0
		Total	191.0

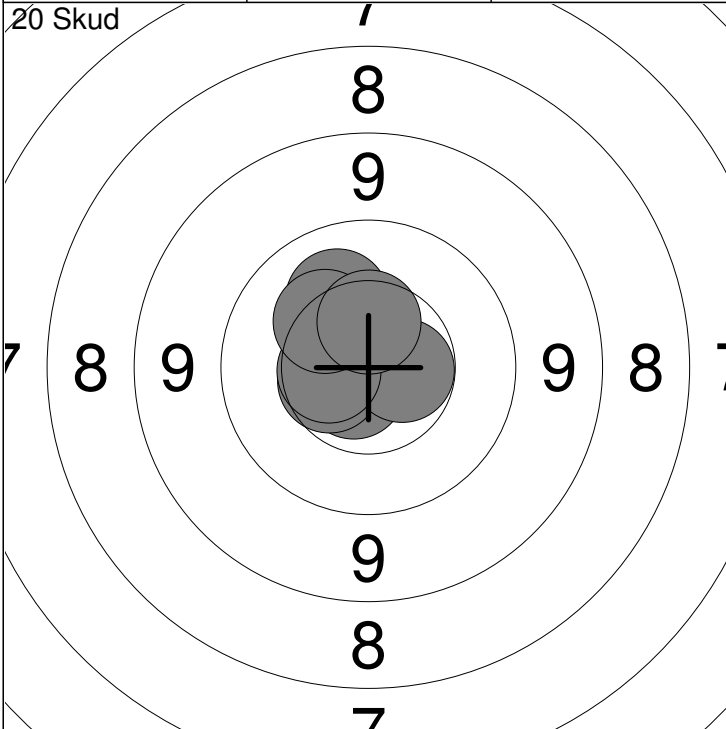


1: 10.5 ↙	6: 10.8x ↗
2: 10.3 ↗	7: 10.3 ↗
3: 10.5 ↙	8: 10.5 ↙
4: 10.2 ↗	9: 10.2 ↘
5: 9.6 ↗	10: 10.6 ↗

Serie	99
Total	0

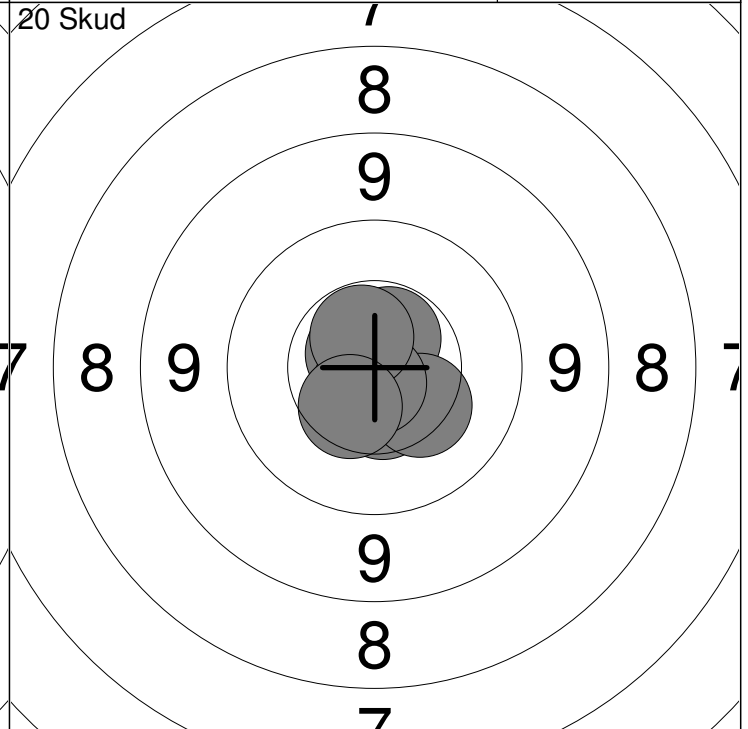


11: 10.7x ↙	
Serie	10
Total	0



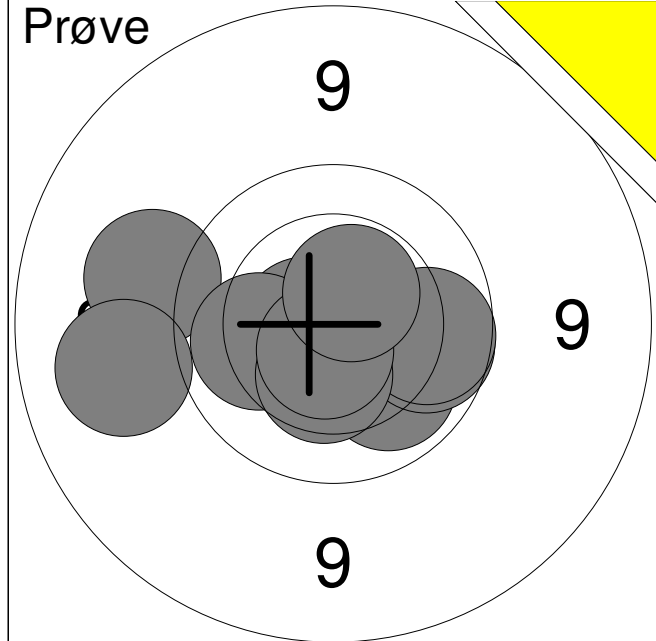
1: 10.7x ↙	6: 10.6x →
2: 10.8x ↗	7: 10.2 ↗
3: 10.5 ↙	8: 10.5 ←
4: 10.7x ↗	9: 10.3 ↗
5: 10.7x ↙	10: 10.5 ↗

Serie	100
Total	100

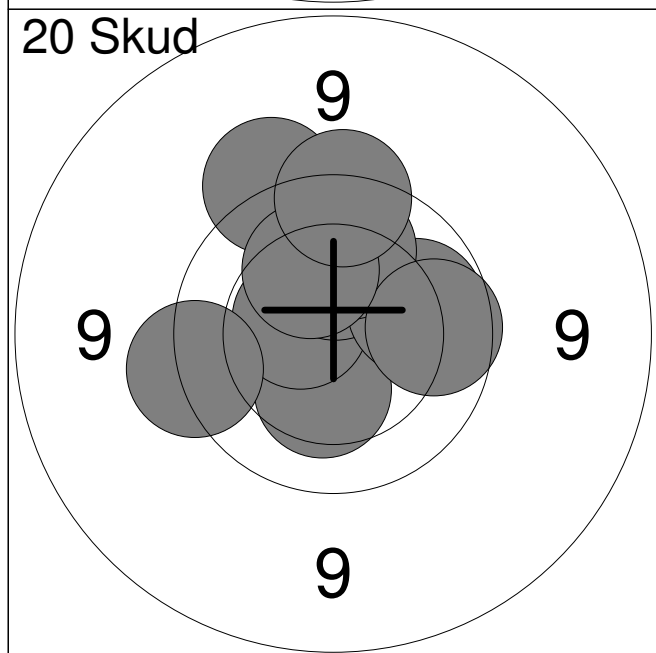


11: 10.5 ↙	16: 10.3 ↘
12: 10.8x ↙	17: 10.7x ↙
13: 10.7x ↗	18: 10.8x ↘
14: 10.8x ↘	19: 10.6x ↗
15: 10.6x ↗	20: 10.5 ↙

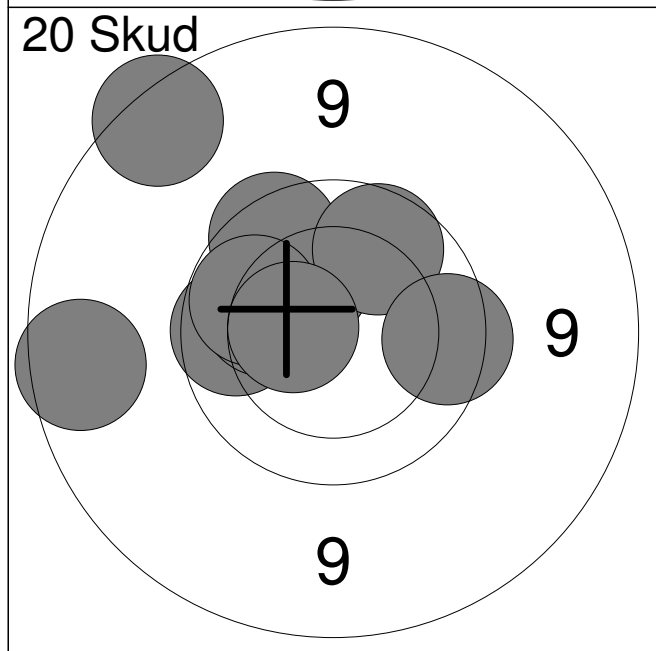
Serie	100
Total	200



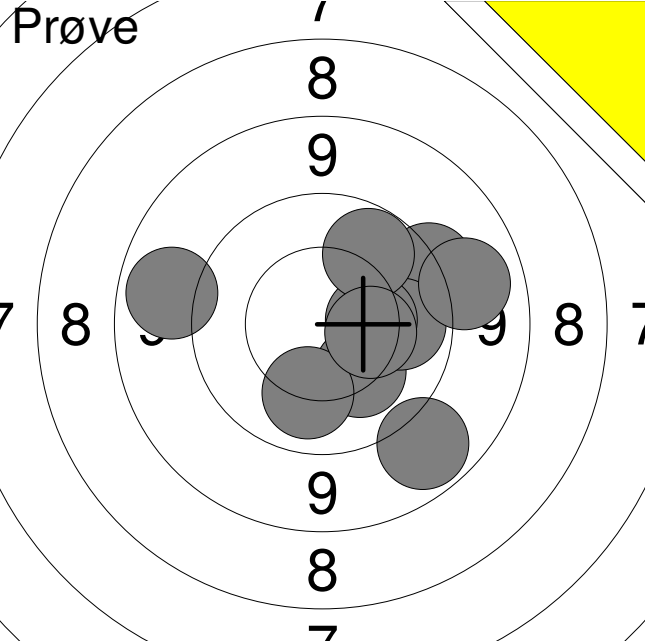
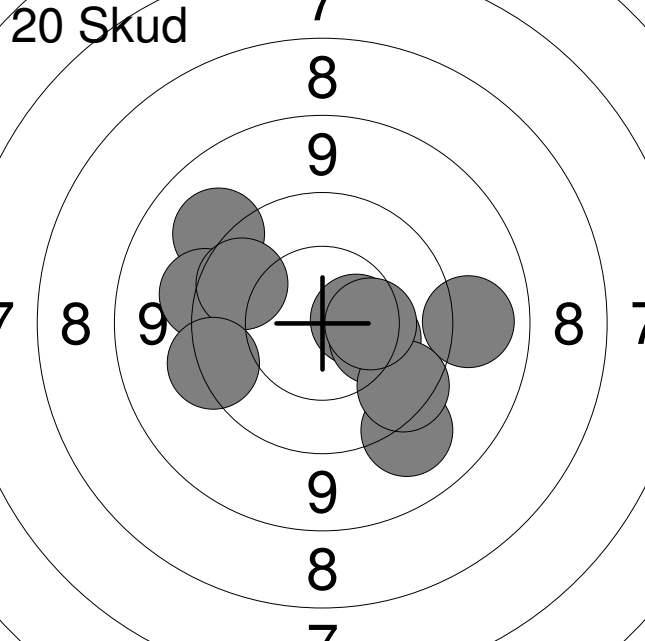
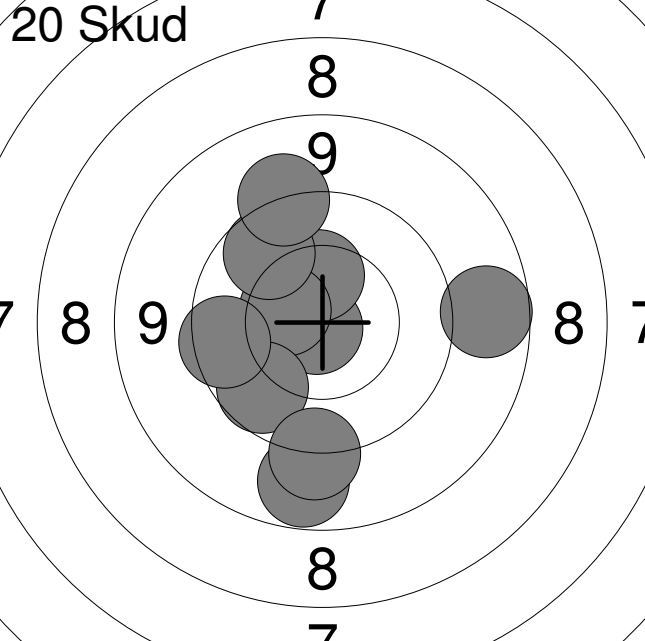
1:	9.3	←
2:	10.1	↘
3:	10.7x	←
4:	10.1	←
5:	9.9	→
6:	9.9	→
7:	9.2	←
8:	10.4	↓
9:	10.6x	↘
10:	10.6x	↗
Serie		96.0
Total		0.0

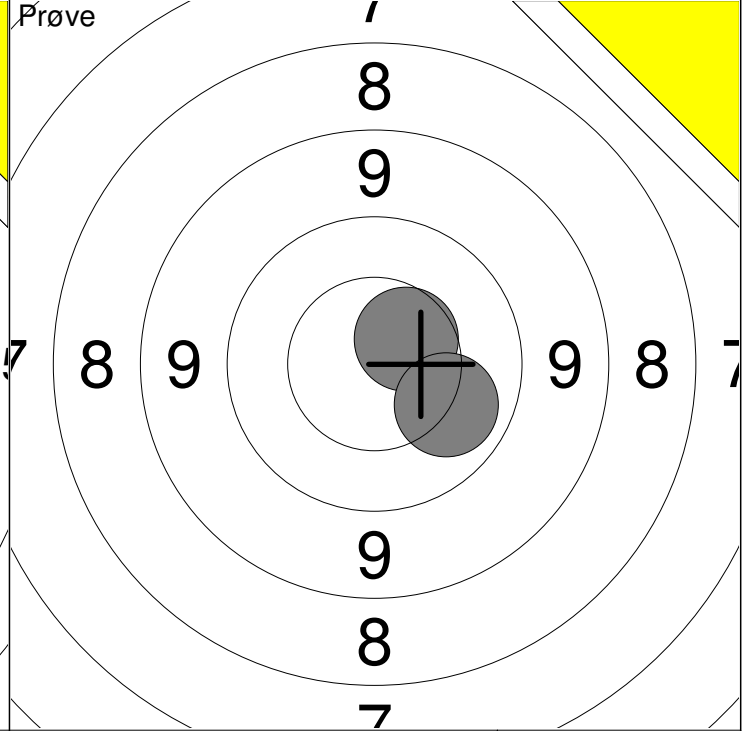
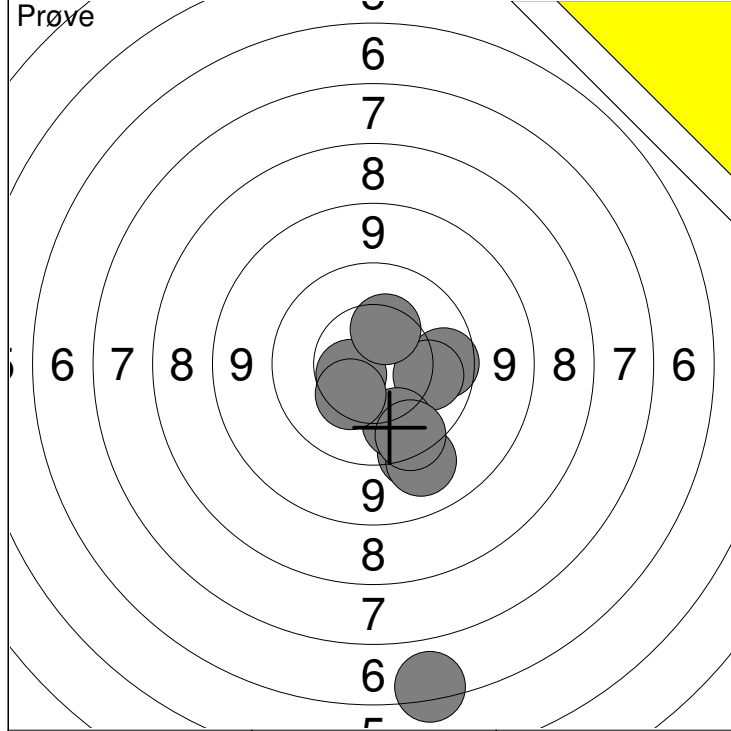


1:	10.3	↓
2:	10.6x	←
3:	10.3	↑
4:	10.0	→
5:	9.6	←
6:	9.5	↑
7:	10.0	↑
8:	9.9	→
9:	10.2	↑
10:	9.7	↑
Serie		96.0
Total		96.0



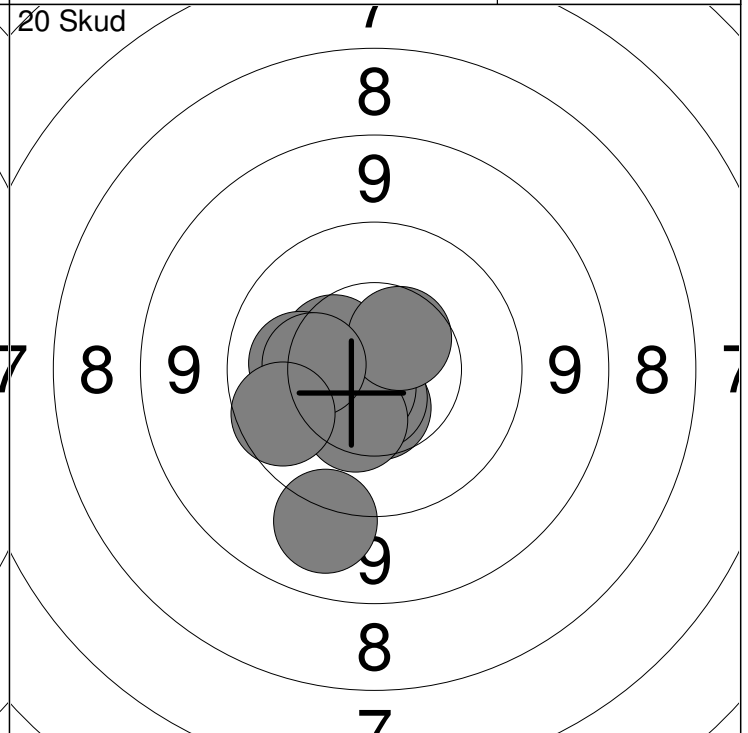
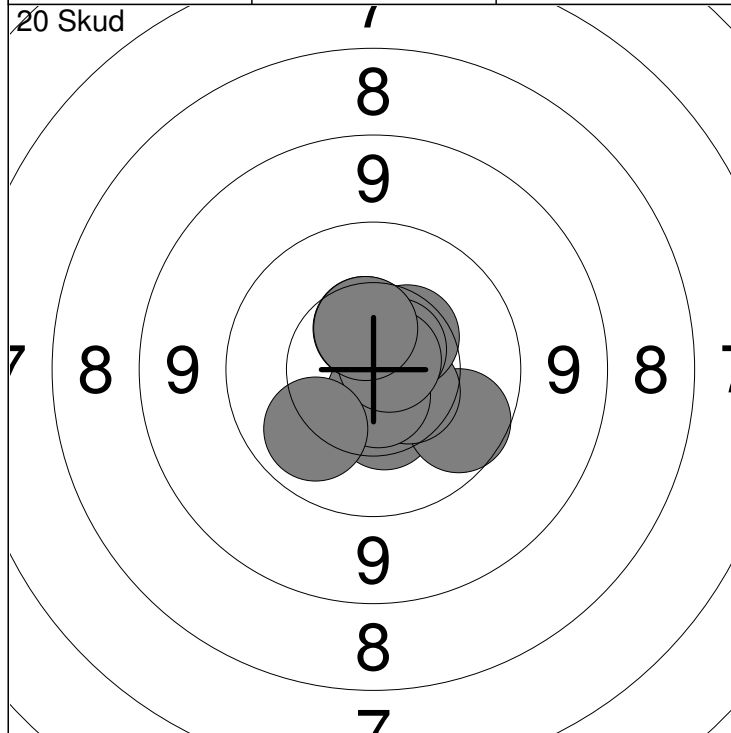
11:	10.3	↗
12:	9.9	←
13:	10.1	←
14:	9.8	↗
15:	10.0	←
16:	9.9	↗
17:	8.9	←
18:	9.8	→
19:	10.5	←
20:	8.8	↗
Serie		92.0
Total		188.0

Hold	Skive	Elly Jensen	
AAS		Boddum-Ydby Skytteforening	SE2
		15 meter stævne 2016	Aalborg Skyttekreds
Prøve		1: 10.2	↘
		2: 9.5	↗
		3: 10.0	→
		4: 9.0	↘
		5: 10.4	→
		6: 9.1	↗
		7: 10.0	↗
		8: 10.1	↘
		9: 9.1	←
		10: 10.4	→
		Serie	96.0
		Total	0.0
20 Skud		1: 9.3	↗
		2: 10.5	→
		3: 9.2	→
		4: 9.3	↘
		5: 10.3	↗
		6: 9.7	↘
		7: 9.5	←
		8: 9.9	↗
		9: 10.4	→
		10: 9.5	←
		Serie	93.0
		Total	93.0
20 Skud		11: 10.9x	↙
		12: 10.4	↑
		13: 9.0	↘
		14: 10.5	←
		15: 9.9	↙
		16: 9.3	↘
		17: 9.8	←
		18: 9.9	↗
		19: 8.9	→
		20: 9.4	↑
		Serie	92.0
		Total	185.0



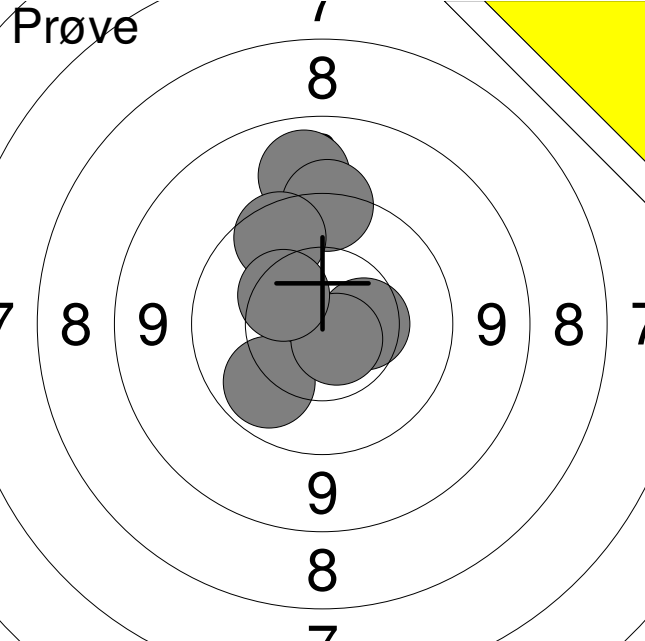
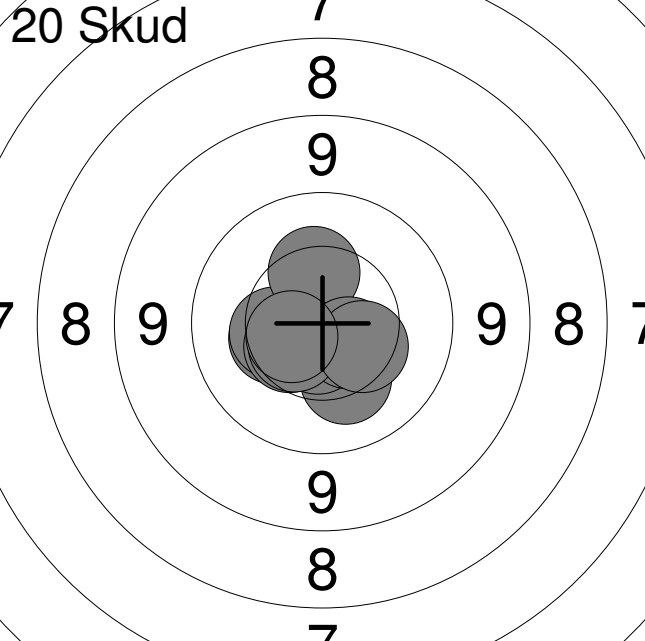
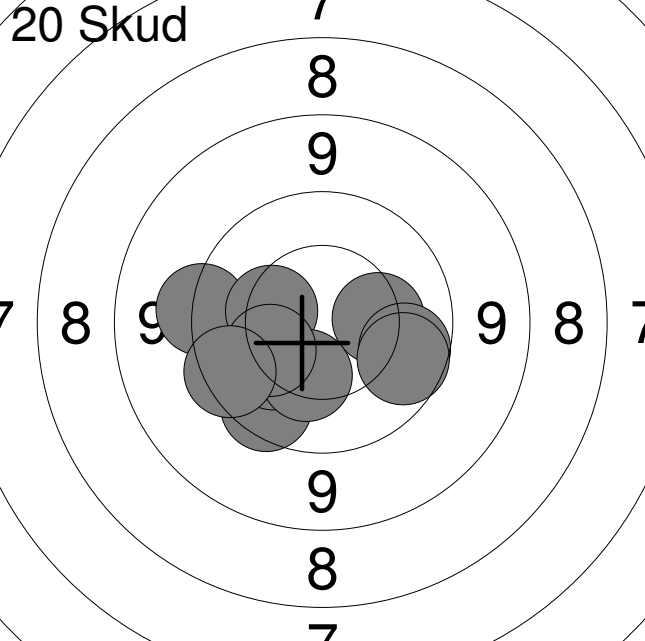
1: 5.6 ↓	6: 10.0 ↓	Serie	91
2: 9.4 ↓	7: 10.6 ←		
3: 9.2 ↓	8: 9.7 ↓	Total	0
4: 9.9 →	9: 10.4 ↗		
5: 10.1 →	10: 10.4 ↓		

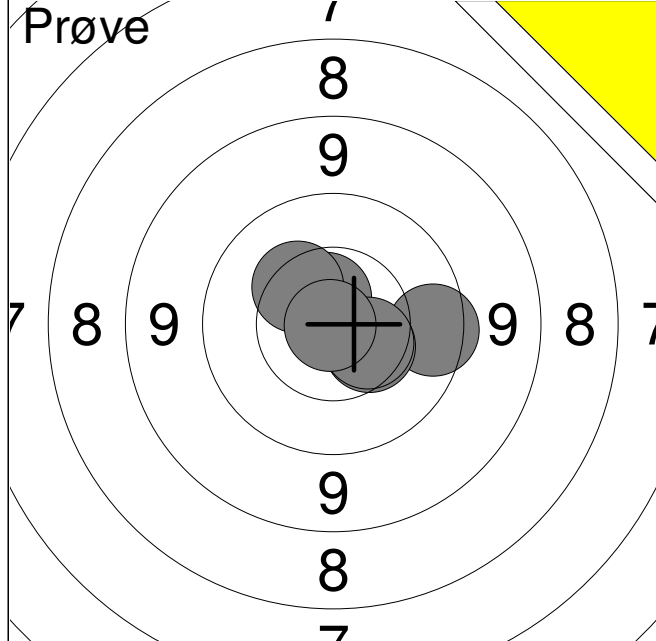
11: 10.5 ↗	Serie	20
12: 10.1 ↘		
	Total	0



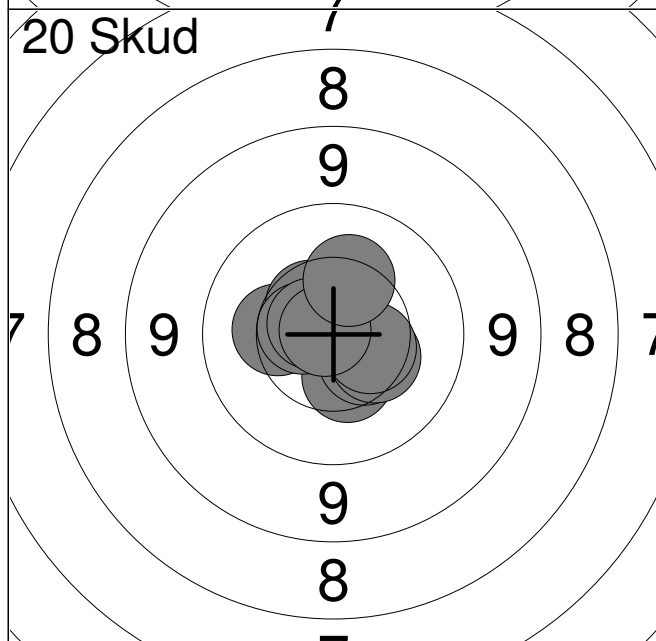
1: 10.4 ↓	6: 10.6x ↗	Serie	99
2: 9.9 ↘	7: 10.5 ↑		
3: 10.5 ↘	8: 10.8x ↗	Total	99
4: 10.7x ↓	9: 10.1 ←		
5: 10.5 ↗	10: 10.5 ↑		

11: 10.5 ↓	16: 10.4 ↓	Serie	98
12: 10.5 ←	17: 9.2 ↓		
13: 10.6x ↓	18: 10.5 ↗	Total	197
14: 10.2 ←	19: 10.3 ←		
15: 10.7x ↓	20: 9.9 ←		

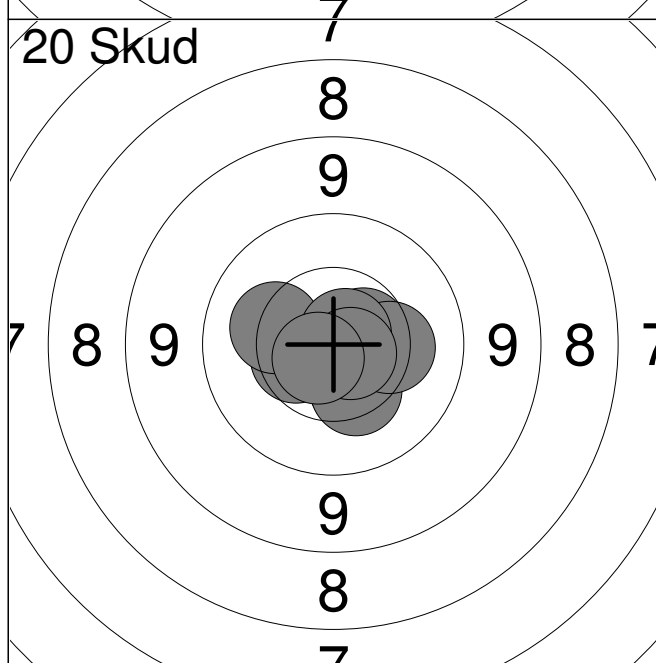
Hold	Skive		
30	11	David Rønn	
AAS		Aalborg Skyttekreds	
		MJ2	
		15 meter stævne 2016	Aalborg Skyttekreds
Prøve	7		
	8	1: 9.1	↑
	8	2: 9.5	↑
	9	3: 9.8	↗
	8	4: 10.0	↘
	9	5: 10.5	→
	8	6: 10.7x	↘
	7	7: 10.4	↗
		Serie	67.0
		Total	0.0
20 Skud	7		
	8	1: 10.4	←
	9	2: 10.2	↘
	8	3: 10.4	←
	9	4: 10.3	↑
	8	5: 10.6x	↘
	9	6: 10.5	←
	8	7: 10.6	↘
	9	8: 10.5	←
	8	9: 10.4	↘
	7	10: 10.6	←
		Serie	100.0
		Total	100.0
20 Skud	7		
	8	11: 9.7	↘
	9	12: 9.5	←
	8	13: 10.3	→
	9	14: 10.3	←
	8	15: 10.2	↘
	9	16: 9.9	→
	8	17: 9.9	↘
	9	18: 10.3	↘
	8	19: 10.2	←
	7	20: 9.7	↘
		Serie	95.0
		Total	195.0



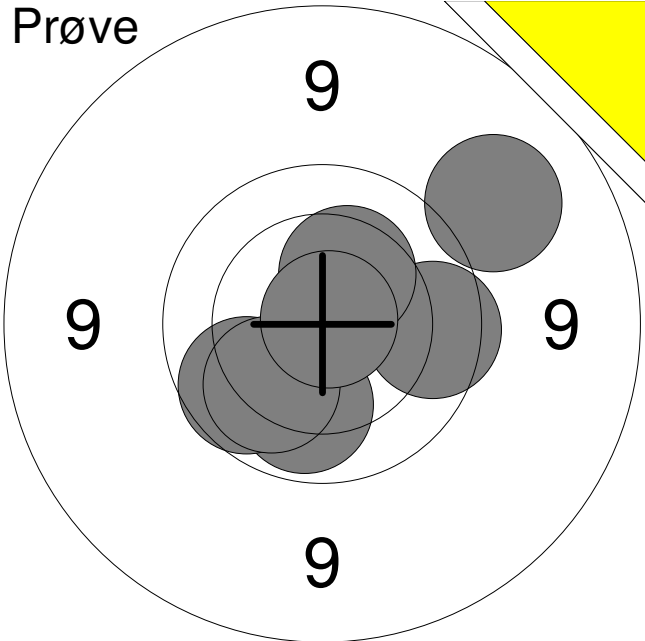
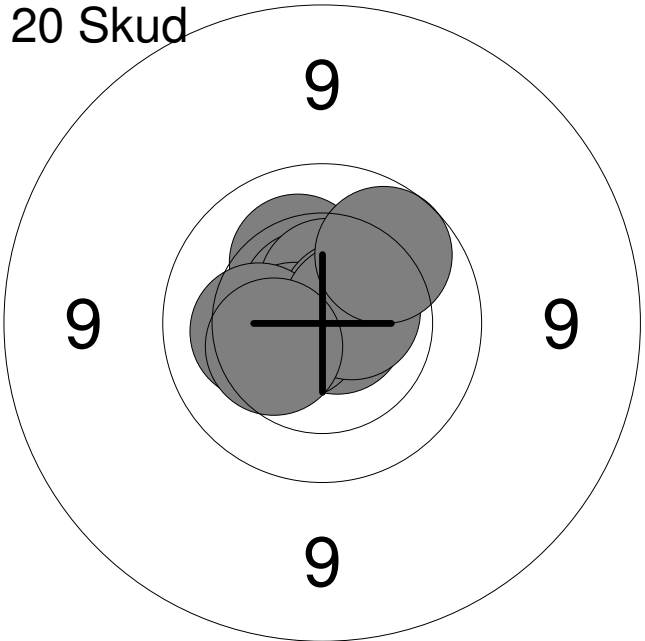
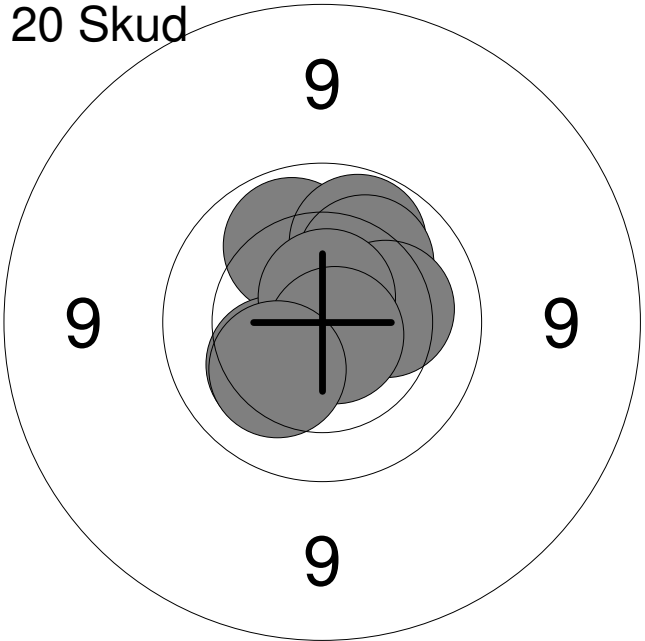
1:	9.8	→
2:	10.6x	↑
3:	10.3	↗
4:	10.4	↘
5:	10.5	↘
6:	10.9x	←
Serie		59.0
Total		0.0

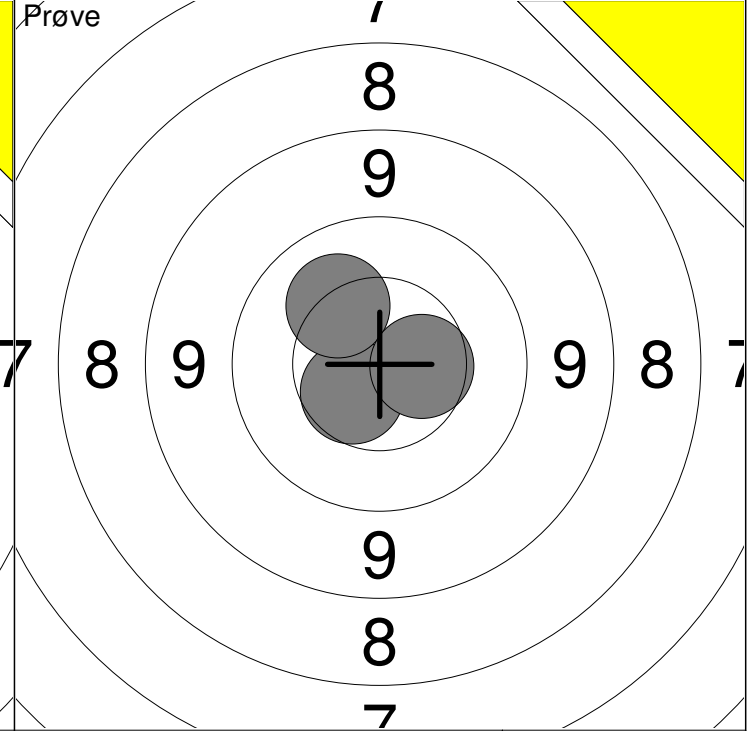
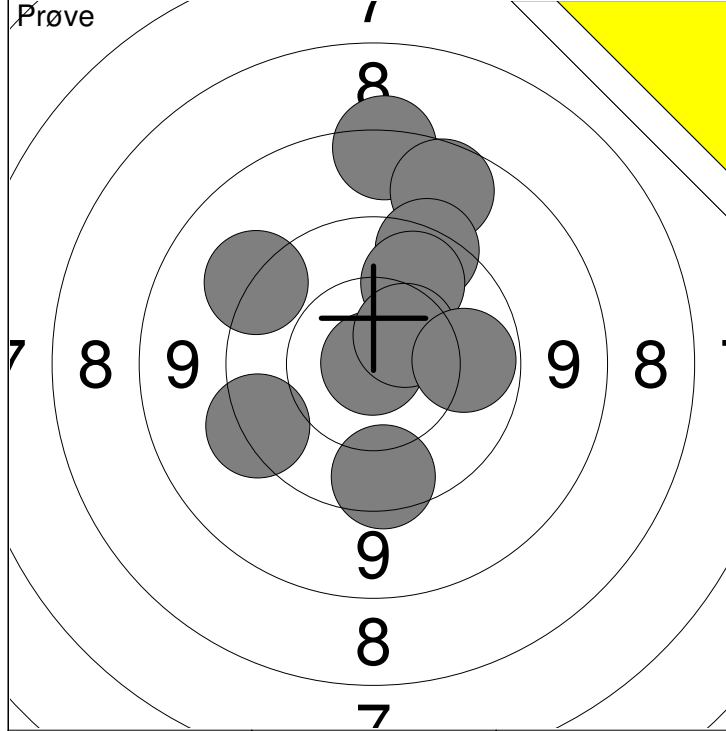


1:	10.3	←
2:	10.5	↗
3:	10.4	↘
4:	10.5	↘
5:	10.4	↘
6:	10.6	←
7:	10.5	↘
8:	10.7x	↗
9:	10.8x	↗
10:	10.3	↑
Serie		100.0
Total		100.0



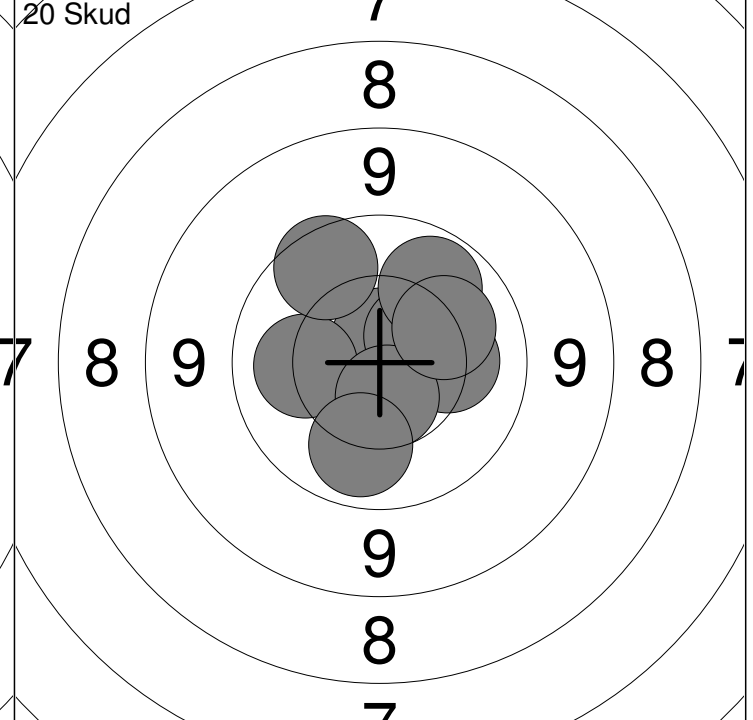
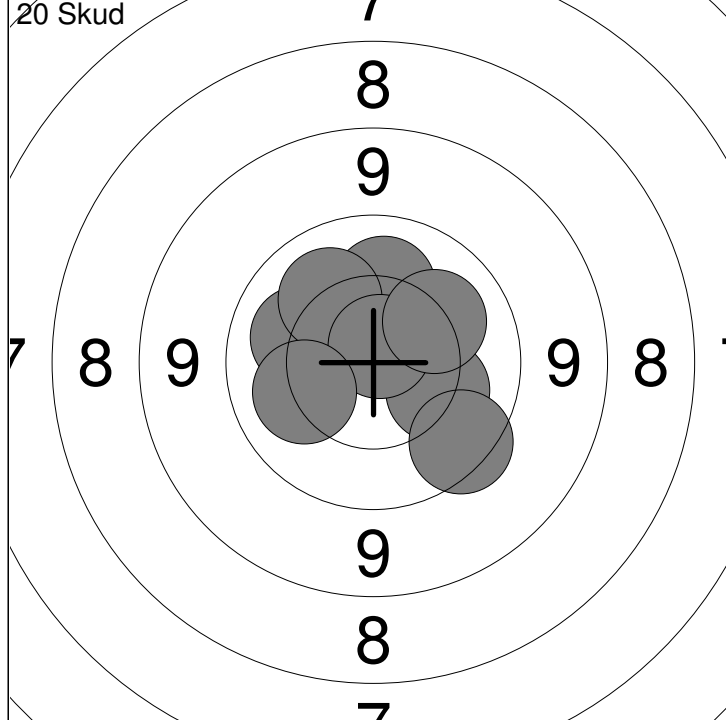
11:	10.4	↘
12:	10.6	→
13:	10.7x	→
14:	10.5	←
15:	10.4	↘
16:	10.3	→
17:	10.2	←
18:	10.8x	↗
19:	10.7x	↘
20:	10.7x	↘
Serie		100.0
Total		200.0

Hold	Skive		
31	1	Isabella Bonde	
AAS		Vodskov Skytteforening	MB4
		15 meter stævne 2016	Aalborg Skyttekreds
Prøve		1: 9.8 →	
		2: 10.0 ↓	
		3: 9.2 ↗	
		4: 9.9 ↖	
		5: 10.1 ↙	
		6: 10.3 ↗	
		7: 10.9x ↗	
		Serie	67.0
		Total	0.0
20 Skud		1: 10.2 ↖	
		2: 10.6x ↖	
		3: 10.5x ↑	
		4: 10.8x →	
		5: 10.6x ←	
		6: 10.6x ↗	
		7: 10.2 ←	
		8: 10.6x ↗	
		9: 10.4 ←	
		10: 9.9 ↗	
		Serie	99.0
		Total	99.0
20 Skud		11: 10.5 ↗	
		12: 10.0 ↖	
		13: 10.0 ↗	
		14: 10.2 ↙	
		15: 10.3 ↗	
		16: 10.1 ↗	
		17: 10.2 →	
		18: 10.7x ↑	
		19: 10.7x ↘	
		20: 10.2 ↙	
		Serie	100.0
		Total	199.0



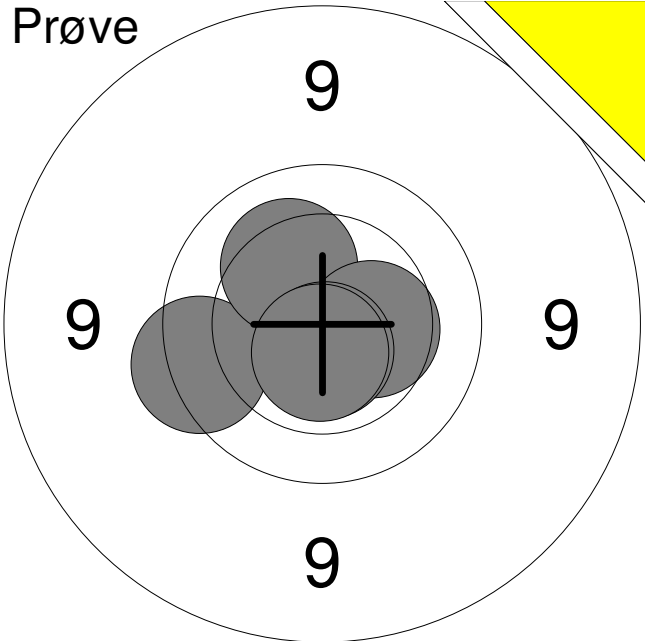
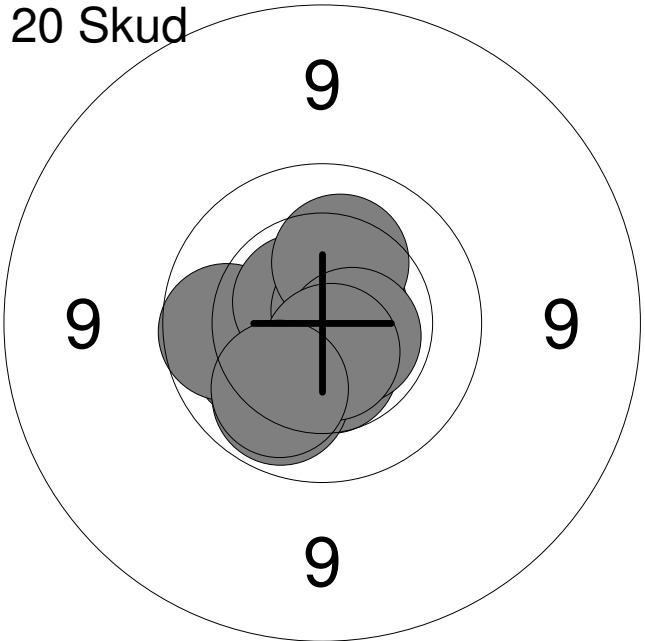
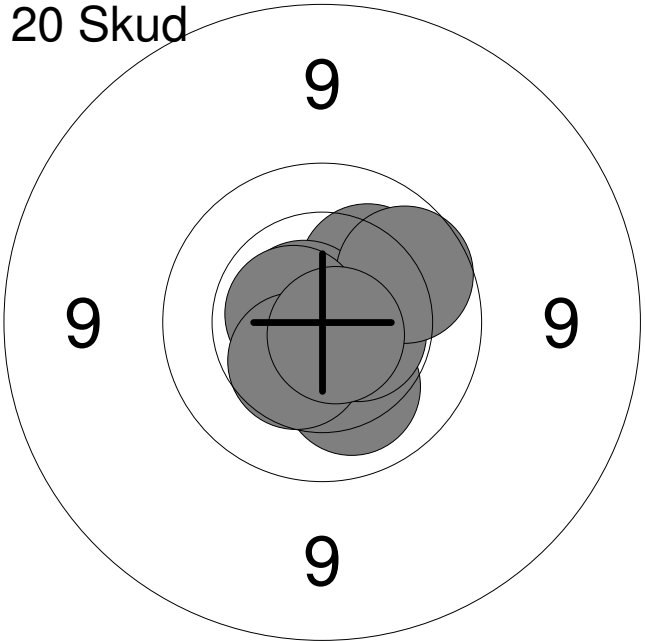
1: 8.6 ↑	6: 10.0 ↗	Serie	92
2: 8.9 ↑	7: 10.5 ↗		
3: 10.9x ↖	8: 10.0 →	Total	0
4: 9.4 ↖	9: 9.5 ←		
5: 9.6 ↑	10: 9.7 ↓		

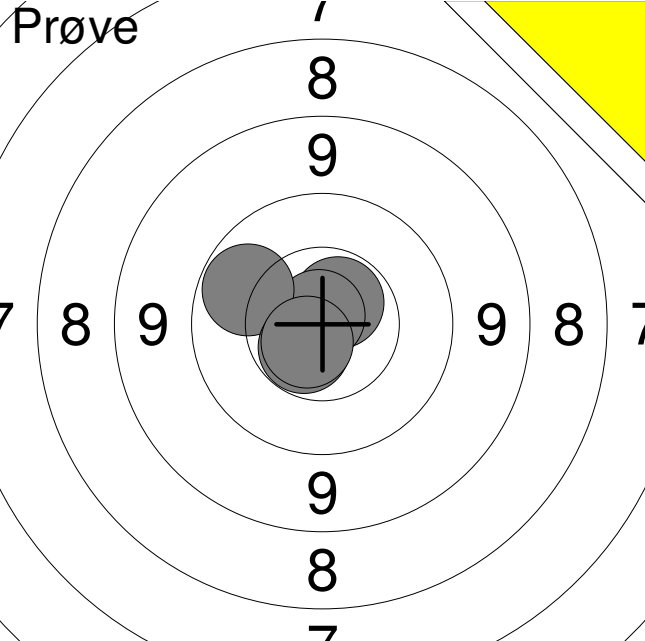
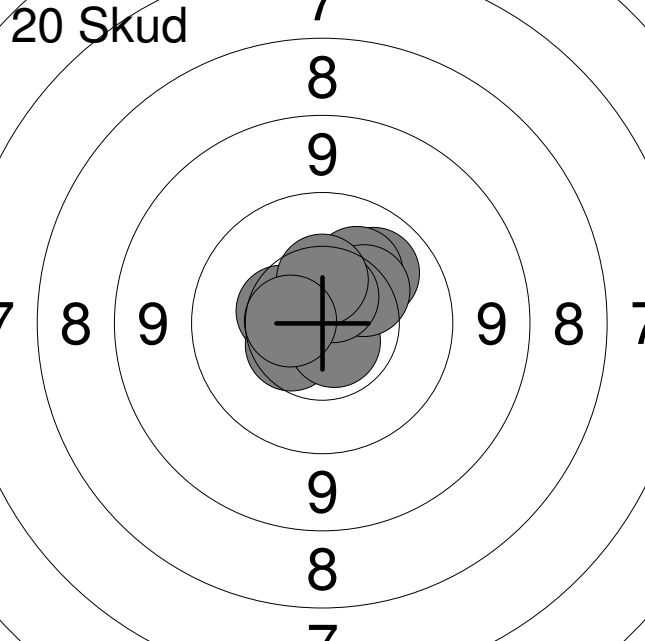
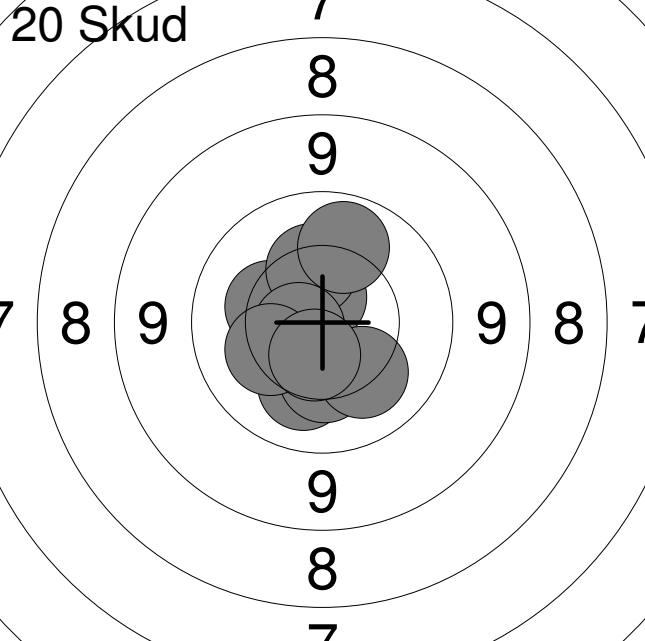
11: 10.5 ↙	Serie	30
12: 10.2 ↖		
13: 10.5 →	Total	0

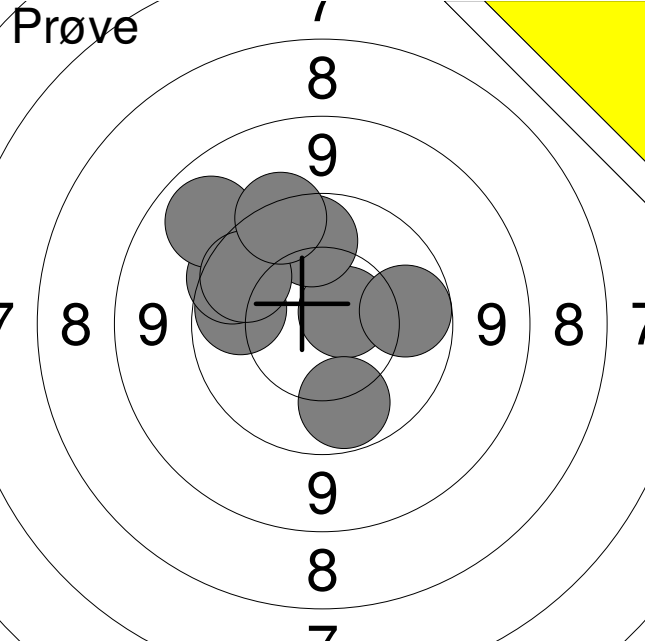
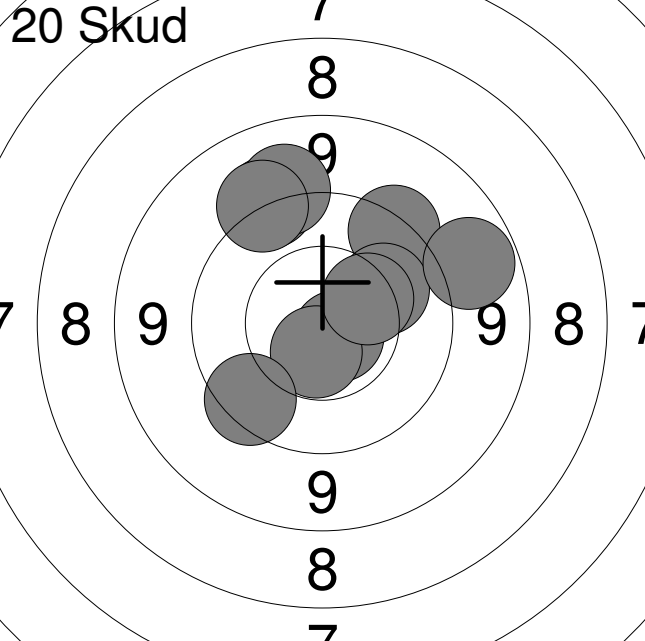
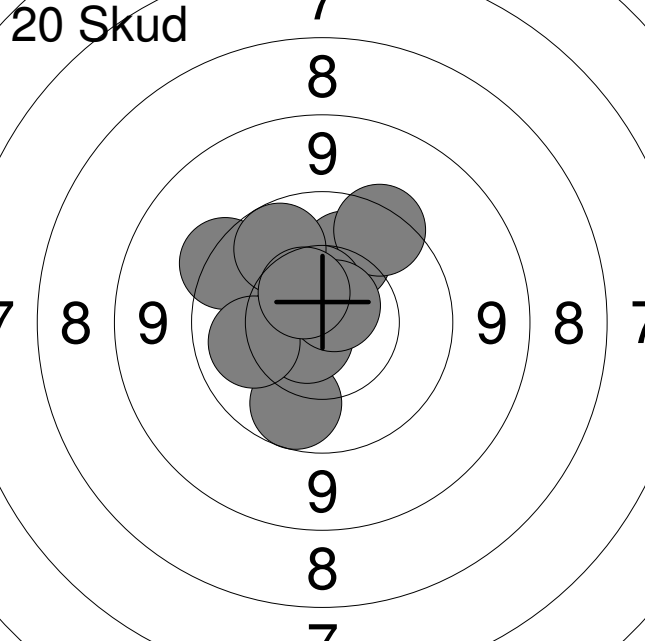


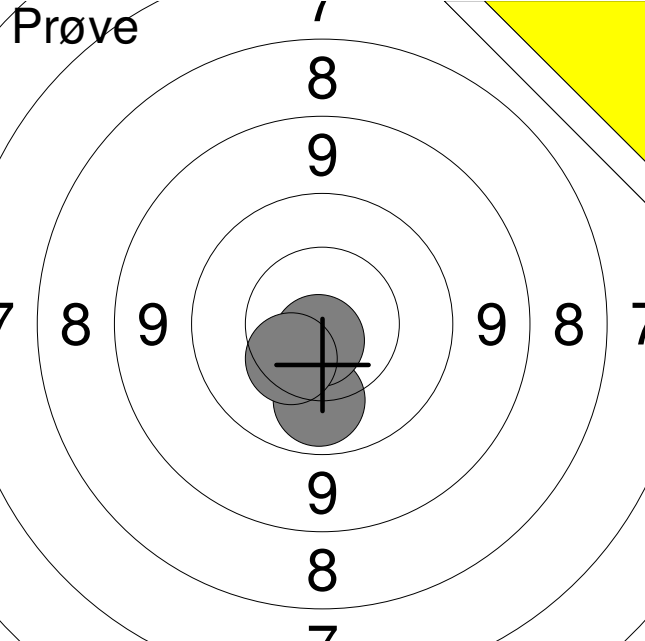
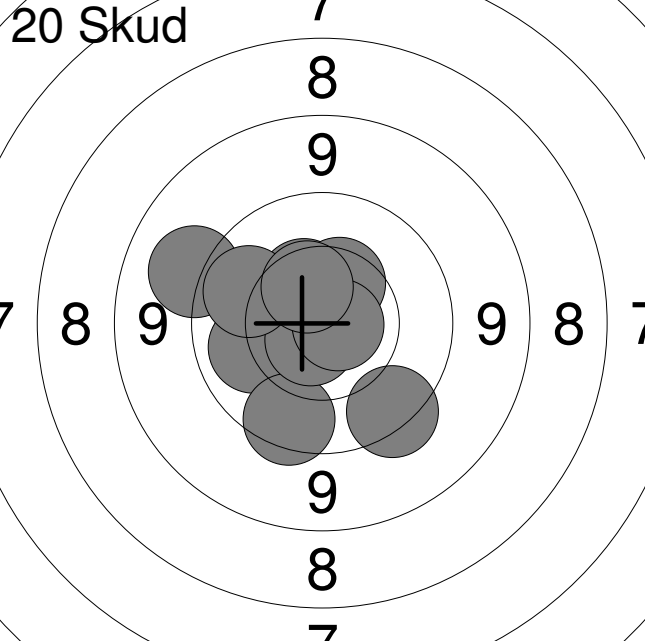
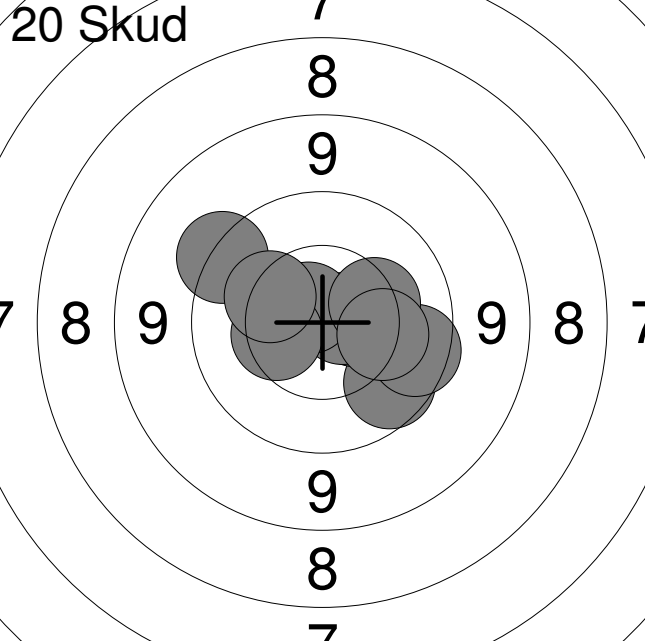
1: 10.2 ↖	6: 10.2 ↖	Serie	99
2: 10.5 ↑	7: 9.7 ↘		
3: 10.7x ↑	8: 10.8x ↑	Total	99
4: 10.2 ↑	9: 10.2 ←		
5: 10.2 ↘	10: 10.2 ↗		

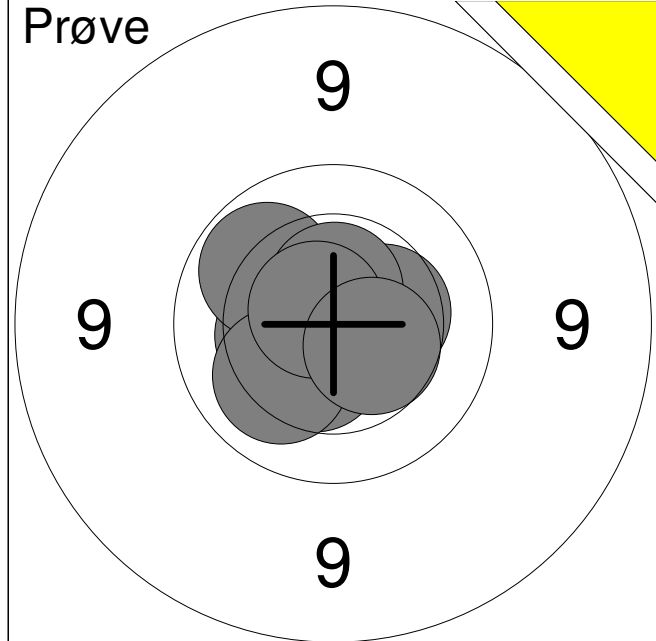
11: 10.7x ↑	16: 10.6 ↓	Serie	99
12: 10.3 ↗	17: 10.0 ↗		
13: 10.5 ↗	18: 10.1 ↓	Total	198
14: 10.2 ←	19: 9.8 ↖		
15: 10.2 →	20: 10.2 ↗		

Hold 31	Skive 3	Lisbeth Stricker Jensen		
AAS		Vodskov Skytteforening		MVÅ1
		15 meter stævne 2016	Aalborg Skyttekreds	
Prøve 		1: 9.7 ← 2: 10.2 ↗ 3: 10.4 → 4: 10.7x ↓ 5: 10.6x ↓		
		Serie	49.0	
		Total	0.0	
20 Skud 		1: 10.5 ↓ 2: 10.2 ← 3: 10.0 ↓ 4: 9.9 ← 5: 10.6x ↗ 6: 10.7x ↗ 7: 10.3 ↗ 8: 10.6x → 9: 10.6x ↓ 10: 10.1 ↓		
		Serie	99.0	
		Total	99.0	
20 Skud 		11: 10.5x ↓ 12: 10.2 ↓ 13: 10.2 ↗ 14: 10.9x ← 15: 10.5x → 16: 10.7x ↗ 17: 9.9 ↗ 18: 10.6x ← 19: 10.4 ↓ 20: 10.7x ↓		
		Serie	99.0	
		Total	198.0	

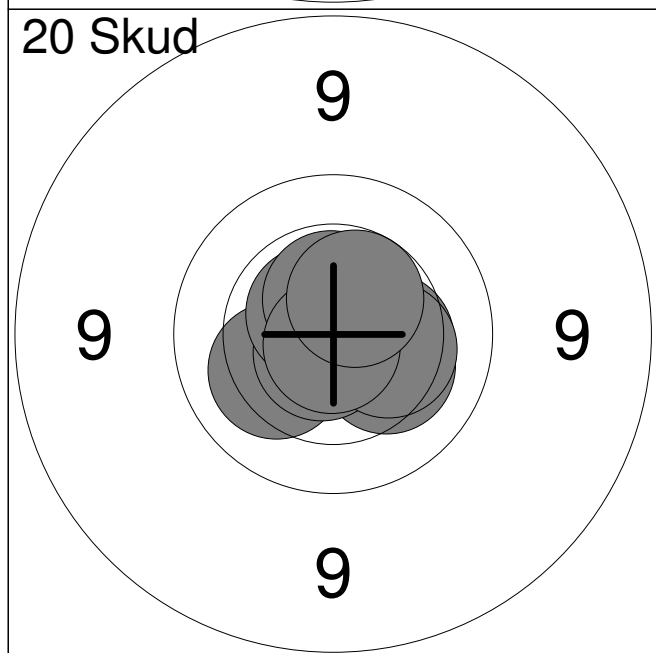
Hold 31	Skive 4	Jonas Brix Kristensen	
AAS		Vester Hassing Skf.	J1
		15 meter stævne 2016	Aalborg Skyttekreds
Prøve		1: 10.6x ↗	
		2: 10.8x ↑	
		3: 10.0 ↖	
		4: 10.6x ↘	
		5: 10.7x ↘	
		Serie	50.0
		Total	0.0
20 Skud		1: 10.5 ↖	
		2: 10.5 ↘	
		3: 10.1 ↗	
		4: 10.8x ↑	
		5: 10.2 ↗	
		6: 10.7x ↘	
		7: 10.3 ↗	
		8: 10.6x ↑	
		9: 10.4 ↑	
		10: 10.6 ↖	
		Serie	100.0
		Total	100.0
20 Skud		11: 10.3 ↖	
		12: 10.2 ↘	
		13: 10.3 ↘	
		14: 10.7x ↑	
		15: 10.3 ↑	
		16: 10.0 ↑	
		17: 10.2 ↘	
		18: 10.7x ↖	
		19: 10.3 ↖	
		20: 10.6 ↘	
		Serie	100.0
		Total	200.0

Hold	Skive	Bent Jensen	
31	5		
AAS		Boddum-Ydby Skytteforening	MSE1
		15 meter stævne 2016	Aalborg Skyttekreds
Prøve		1: 10.7x ↗	
		2: 10.0 ←	
		3: 9.7 ↗	
		4: 9.1 ↗	
		5: 10.0 ↑	
		6: 10.0 ↓	
		7: 9.9 ↗	
		8: 10.0 →	
		9: 9.6 ↗	
		Serie	86.0
		Total	0.0
20 Skud		1: 10.7x ↘	
		2: 10.6x ↓	
		3: 9.5 ↗	
		4: 9.7 ↘	
		5: 10.1 ↗	
		6: 10.3 ↗	
		7: 9.3 ↑	
		8: 9.0 →	
		9: 9.3 ↑	
		10: 9.3 ↗	
		Serie	94.0
		Total	94.0
20 Skud		11: 10.1 ↑	
		12: 9.6 ↗	
		13: 10.6 ↑	
		14: 9.6 ↖	
		15: 9.9 ↗	
		16: 9.9 ↓	
		17: 10.7x ↘	
		18: 10.7x ↗	
		19: 10.1 ←	
		20: 10.5 ↗	
		Serie	96.0
		Total	190.0

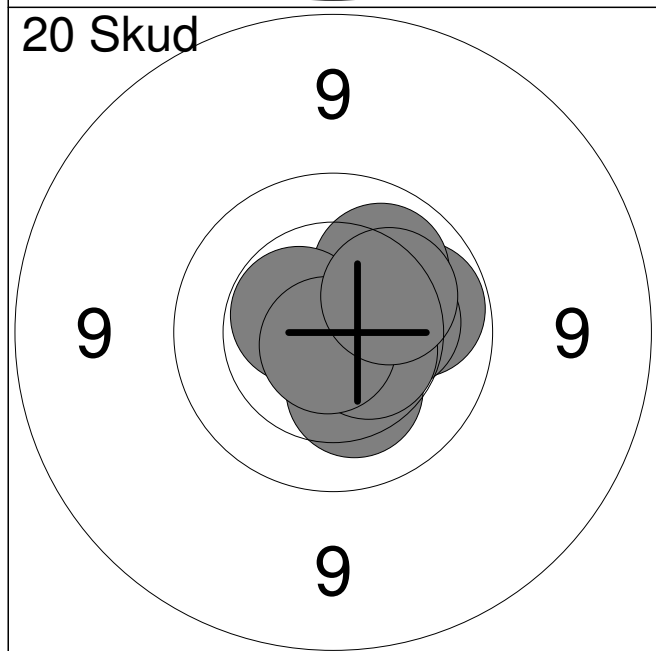
Hold	Skive	Birgitte Bonde	
31	6		
AAS		Vodskov Skytteforening	MVÅ2
		15 meter stævne 2016	Aalborg Skyttekreds
Prøve		1: 10.0	↓
		2: 10.7x	↓
		3: 10.4	↙
		Serie 30.0	
Total 0.0			
20 Skud		1: 10.1	←
		2: 9.6	↘
		3: 9.7	↓
		4: 10.7x	↘
		5: 9.3	↖
		6: 10.4	↗
		7: 10.0	↖
		8: 10.4	↗
		9: 10.8x	→
		10: 10.5	↗
Serie 97.0			
Total 97.0			
20 Skud		11: 9.9	↘
		12: 10.6	→
		13: 10.7x	→
		14: 9.5	↗
		15: 10.7x	↗
		16: 10.4	←
		17: 9.8	↘
		18: 10.3	↗
		19: 10.3	→
		20: 10.2	→
Serie 97.0			
Total 194.0			



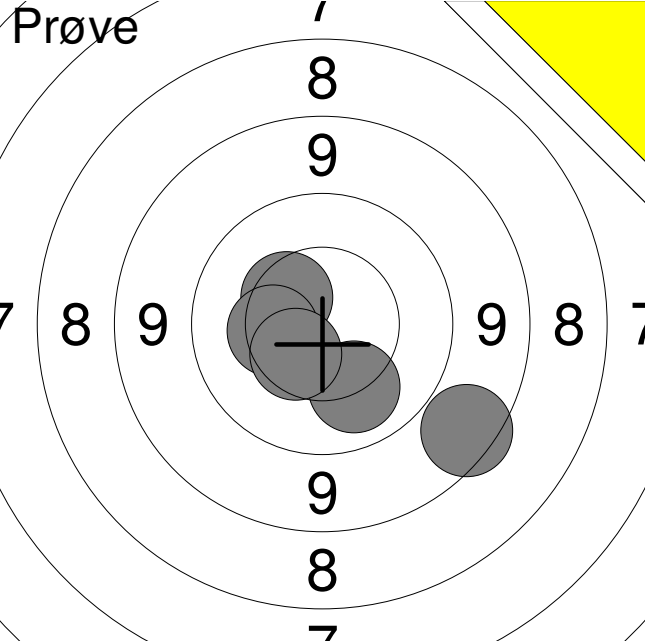
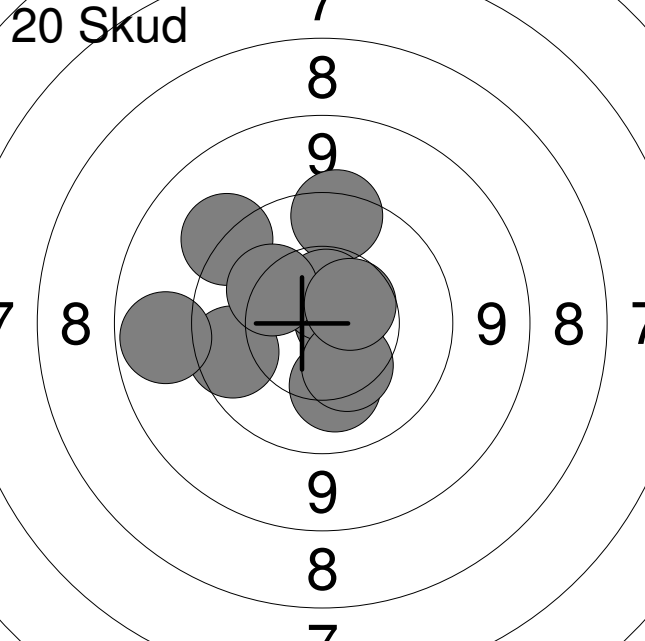
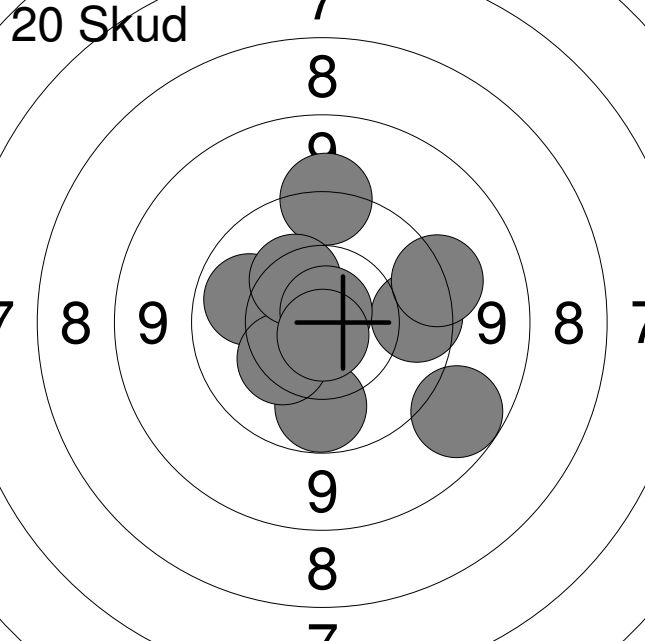
1:	10.6x	↑
2:	10.4	→
3:	10.4	↙
4:	10.4	←
5:	10.0	↗
6:	10.5	↘
7:	10.6x	↑
8:	10.1	↙
9:	10.7x	↗
10:	10.5	↘
Serie		100.0
Total		0.0

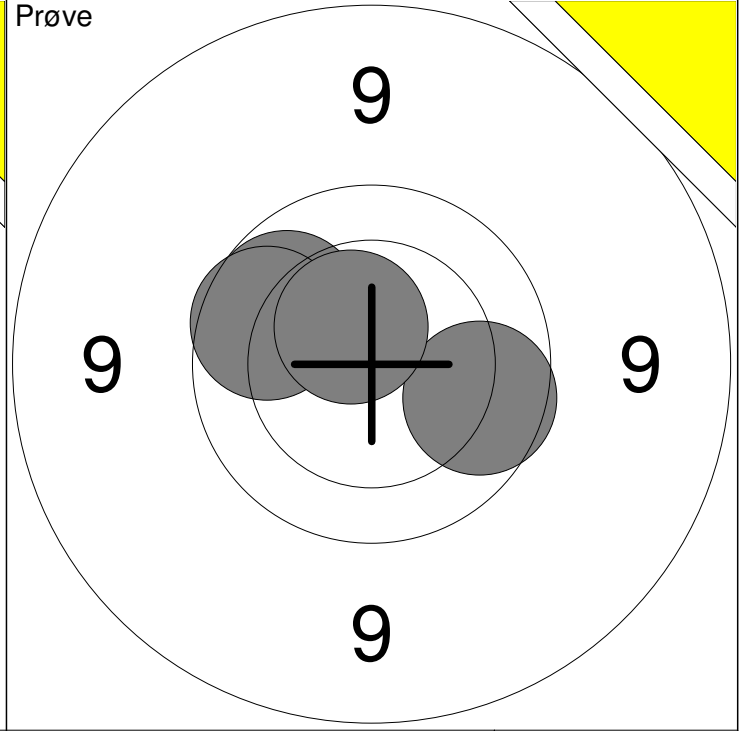
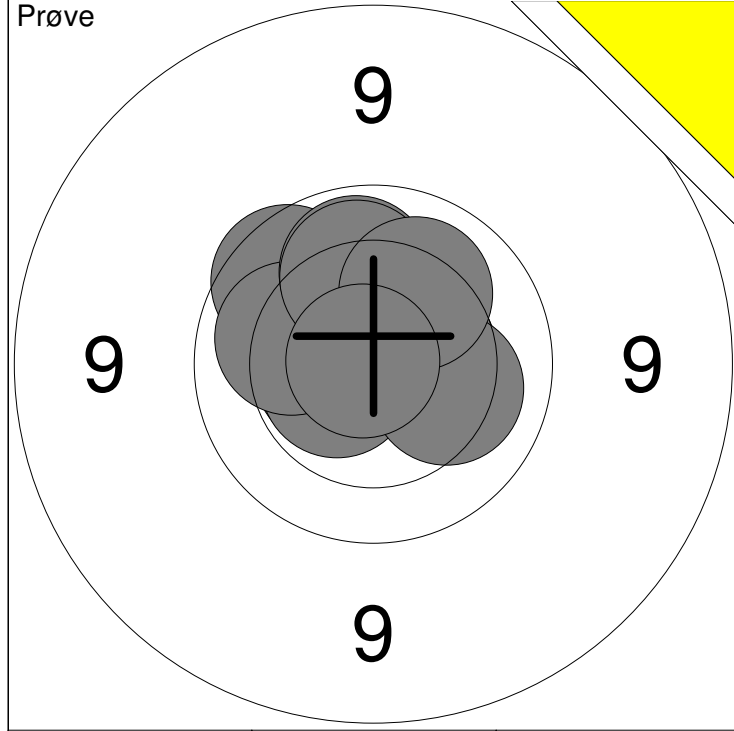


1:	10.3	↘
2:	10.2	↙
3:	10.7x	↑
4:	10.7x	↘
5:	10.4	→
6:	10.3	→
7:	10.6x	↗
8:	10.6x	↑
9:	10.8x	↘
10:	10.5	↗
Serie		100.0
Total		100.0



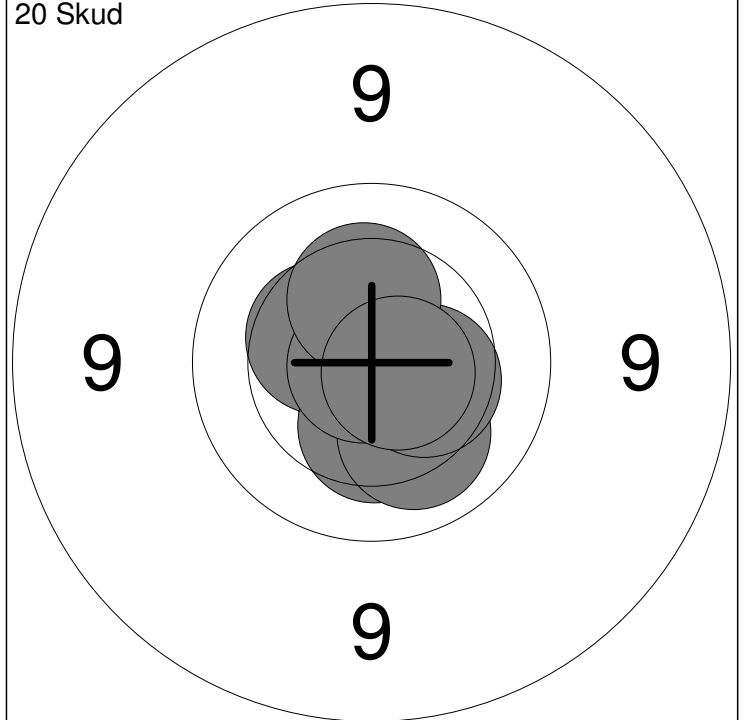
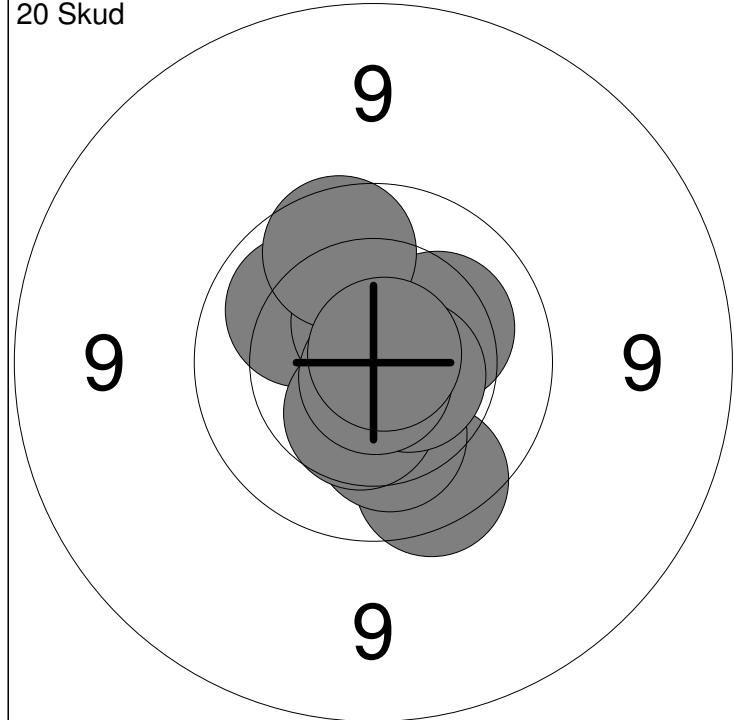
11:	10.0	→
12:	10.9x	↗
13:	10.1	↗
14:	10.6x	→
15:	10.3	↘
16:	10.3	→
17:	10.5x	↘
18:	10.5x	↖
19:	10.8x	↘
20:	10.2	↗
Serie		100.0
Total		200.0

Hold	Skive	Elly Jensen	
31	9		
AAS		Boddum-Ydby Skytteforening	MSE2
		15 meter stævne 2016	Aalborg Skyttekreds
Prøve		1: 10.4	↗
		2: 10.4	←
		3: 8.7	↘
		4: 10.1	↓
		5: 10.5	↘
		Serie	48.0
		Total	0.0
20 Skud		1: 9.4	↗
		2: 9.6	↑
		3: 10.2	↓
		4: 10.7x	→
		5: 9.8	←
		6: 9.0	←
		7: 10.6x	↑
		8: 10.2	↗
		9: 10.4	↓
		10: 10.6	↗
		Serie	96.0
		Total	96.0
20 Skud		11: 9.5	↑
		12: 9.8	→
		13: 10.1	←
		14: 9.0	↘
		15: 10.0	↓
		16: 10.3	↖
		17: 10.4	↗
		18: 10.8x	↑
		19: 9.5	→
		20: 10.8x	↓
		Serie	96.0
		Total	192.0



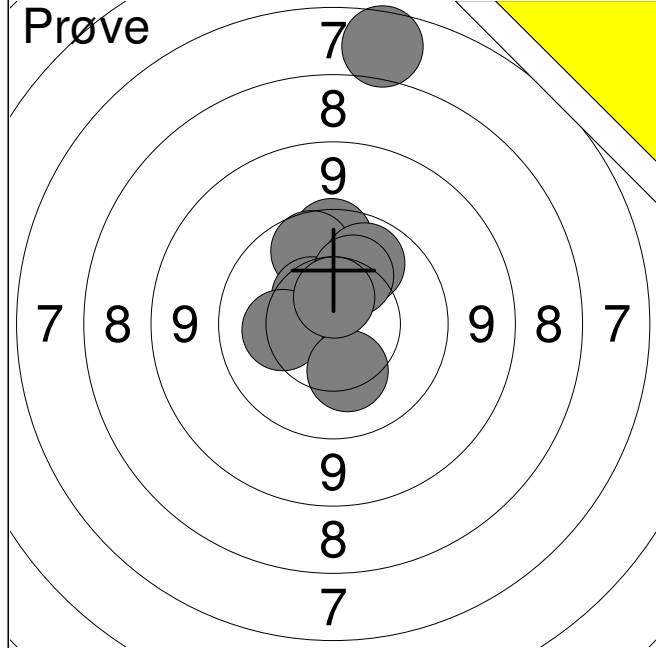
1: 10.5x ←	6: 10.0 ↑	Serie	99
2: 9.9 ↗	7: 10.1 ↑		
3: 10.6x ←	8: 10.2 →	Total	0
4: 10.1 ←	9: 10.1 ↗		
5: 10.5 →	10: 10.8x ←		

11: 9.9 →	Serie	38
12: 10.0 ↗		
13: 9.9 ↗	Total	0
14: 10.5x ↗		

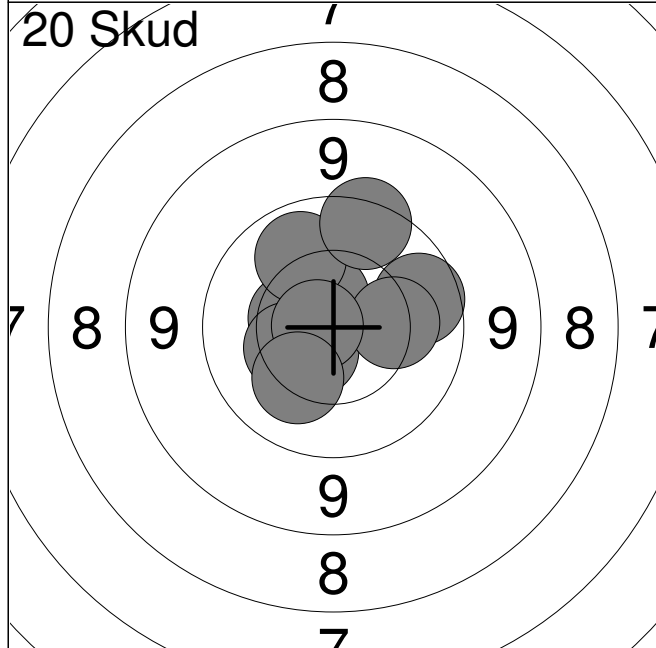


1: 9.8 ↓	6: 10.4 ↓	Serie	98
2: 10.1 ↗	7: 9.9 ↑		
3: 10.6x ↑	8: 10.6x →	Total	98
4: 10.2 ↓	9: 10.8x ↓		
5: 10.2 ↗	10: 10.8x ↗		

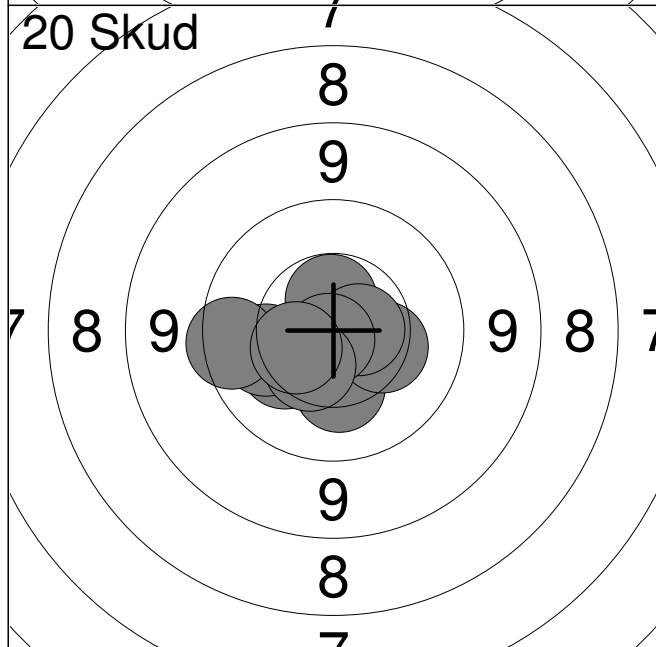
11: 10.7x ↗	16: 10.1 ↓	Serie	100
12: 10.4 ↗	17: 10.4 →		
13: 10.4 ↓	18: 10.9x ←	Total	198
14: 10.3 ↓	19: 10.3 ↑		
15: 10.5x →	20: 10.7x →		



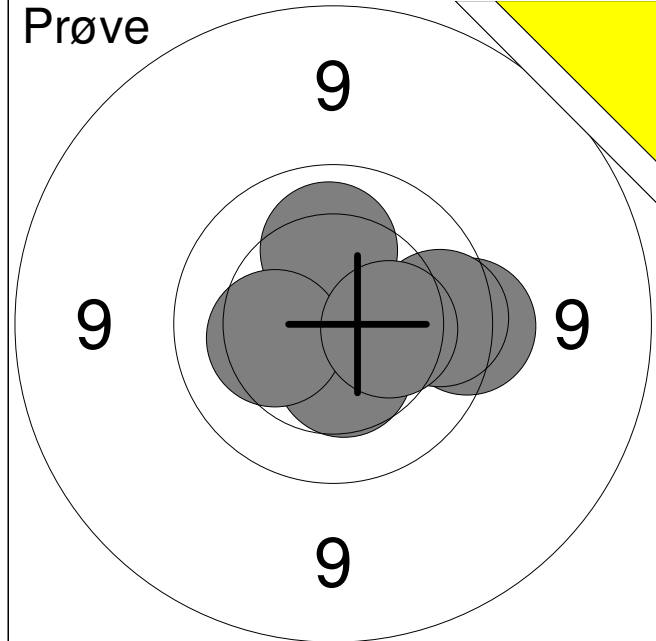
1:	6.9	↑
2:	9.8	↑
3:	9.9	↑
4:	10.7x	↖
5:	10.5	↗
6:	10.0	↗
7:	10.3	←
8:	10.2	↗
9:	10.3	↓
10:	10.6x	↑
Serie		94.0
Total		0.0



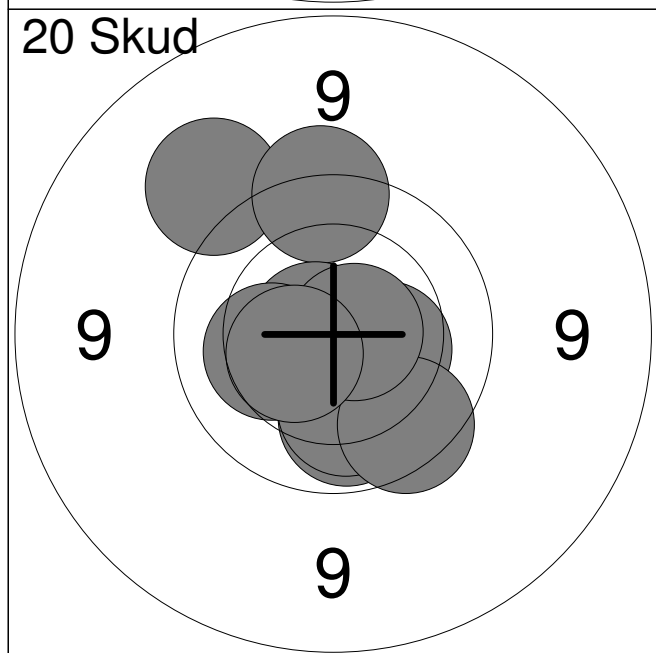
1:	10.6	↑
2:	10.5	←
3:	10.0	↗
4:	9.6	↗
5:	9.9	→
6:	10.6	↘
7:	10.2	→
8:	10.4	←
9:	10.8x	←
10:	10.2	↘
Serie		98.0
Total		98.0



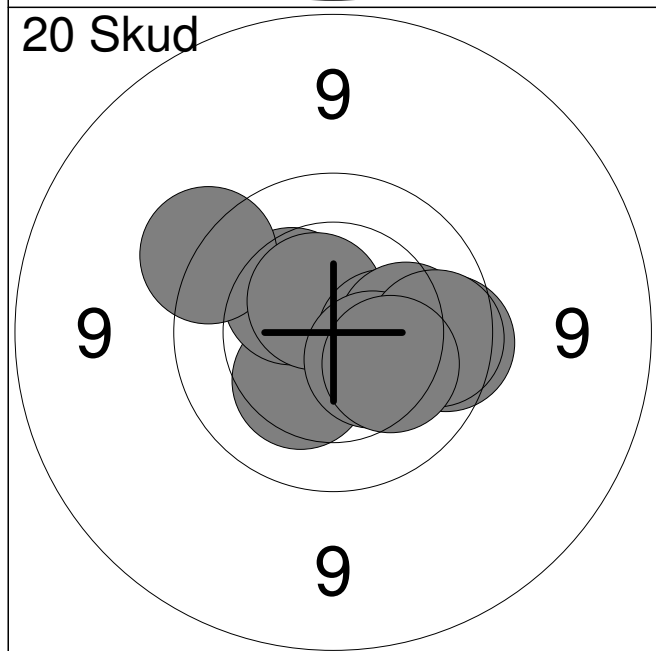
11:	10.3	↓
12:	10.3	→
13:	10.3	↖
14:	10.1	←
15:	10.6x	↑
16:	10.6x	→
17:	10.8x	↘
18:	9.7	←
19:	10.5	↘
20:	10.5	↖
Serie		99.0
Total		197.0



1:	9.7	→
2:	10.1	↑
3:	9.8	→
4:	10.4	↓
5:	10.3	←
6:	10.3	→
Serie		58.0
Total		0.0

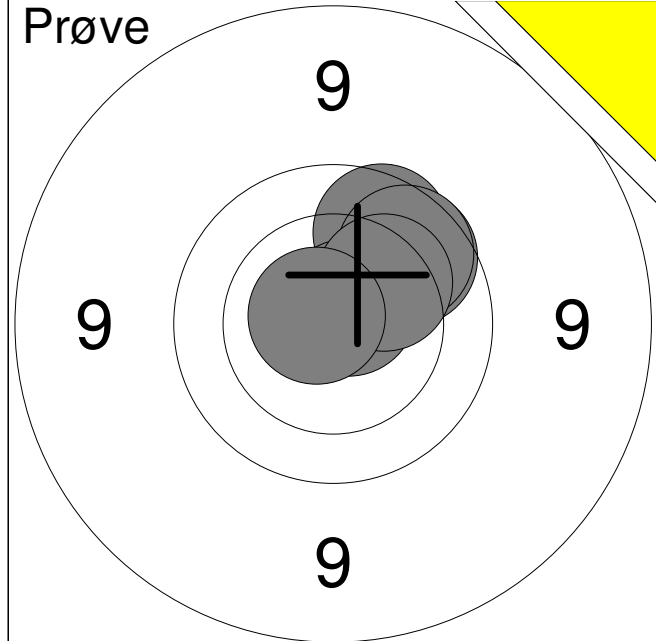


1:	9.3	↗
2:	9.6	↑
3:	10.8x	←
4:	10.0	↓
5:	10.3	←
6:	10.4	→
7:	10.1	↓
8:	9.8	↓
9:	10.7x	→
10:	10.5	←
Serie		97.0
Total		97.0

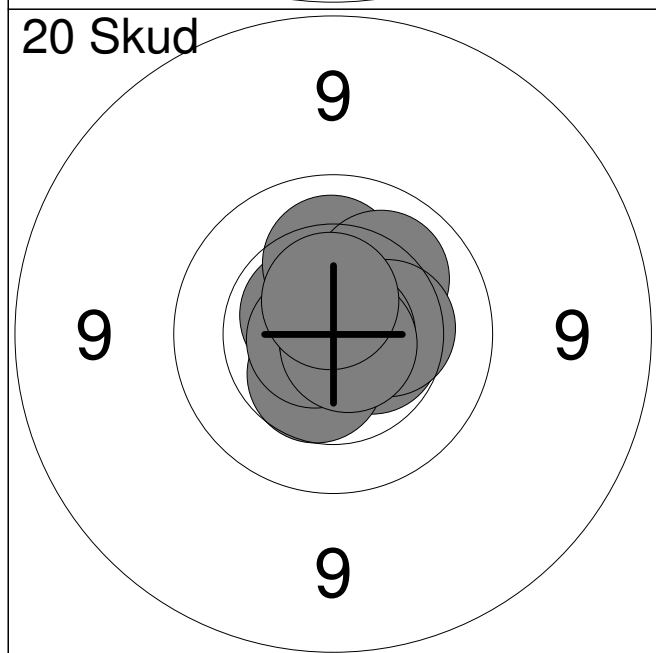


11:	10.3	↙
12:	10.3	↗
13:	9.8	→
14:	9.6	↗
15:	10.6x	↗
16:	10.4	→
17:	10.1	→
18:	10.4	↓
19:	9.9	→
20:	10.2	↙
Serie		97.0
Total		194.0

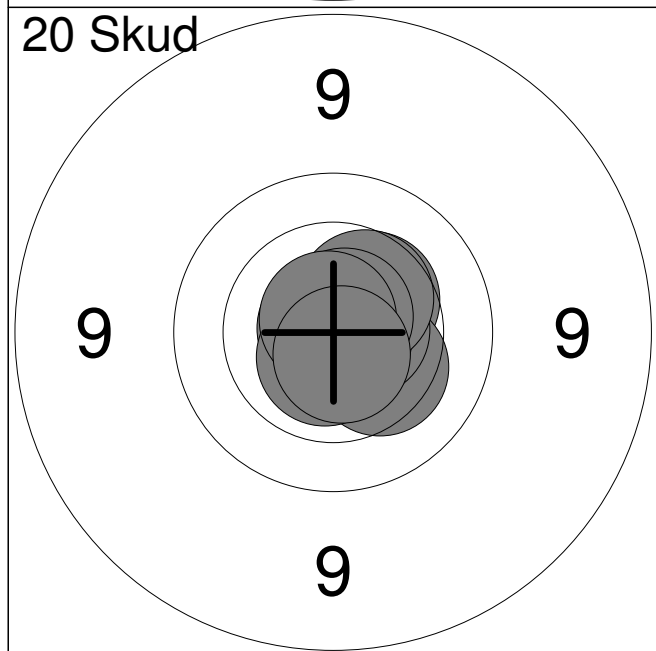
Hold	Skive	Emma Hejlesen Kristensen		
32	1			
AAS		Vester Hassing Skf.	MB1	
15 meter stævne 2016		Aalborg Skyttekreds		
Prøve	6	1: 9.5 ↘	Prøve	
	7	2: 10.1 ↘		
	8	3: 9.6 ↘		11: 10.2 ↗
	9	4: 9.8 ↓		12: 10.5 ↓
	9	5: 9.8 ↓		13: 10.6 ↘
	9	6: 10.8x →		14: 10.0 ↗
	8	7: 10.8x ↗		15: 10.8x ↗
	8	8: 10.5 →		16: 10.4 ↗
	7	9: 10.5 →		17: 10.4 ↖
	7	10: 10.7x ↗		18: 10.8x ↘
		Serie 96.0		
	Total 0.0		20: 10.0 →	
			Serie 100.0	
			Total 0.0	
Prøve	6	21: 10.8x ↓	20 Skud	
	7			
	8		1: 10.5 ↖	
	9		2: 10.7x ↘	
	9		3: 10.5 ↘	
	9		4: 10.7x ↗	
	8		5: 10.3 ↑	
	8		6: 10.4 ↗	
	7		7: 10.5 ↘	
	7		8: 10.4 ↙	
			Serie 10.0	
	Total 0.0		10: 10.5 ↖	
			Serie 100.0	
			Total 100.0	
20 Skud	6	11: 10.6x ↓		
	7	12: 10.1 ↙		
	8	13: 10.6x ↗		
	9	14: 10.3 ↗		
	9	15: 10.4 ↗		
	9	16: 10.6x ↗		
	8	17: 10.8x →		
	8	18: 10.5 ↗		
	7	19: 10.8x ↘		
	7	20: 10.0 ↑		
		Serie 100.0		
	Total 200.0			



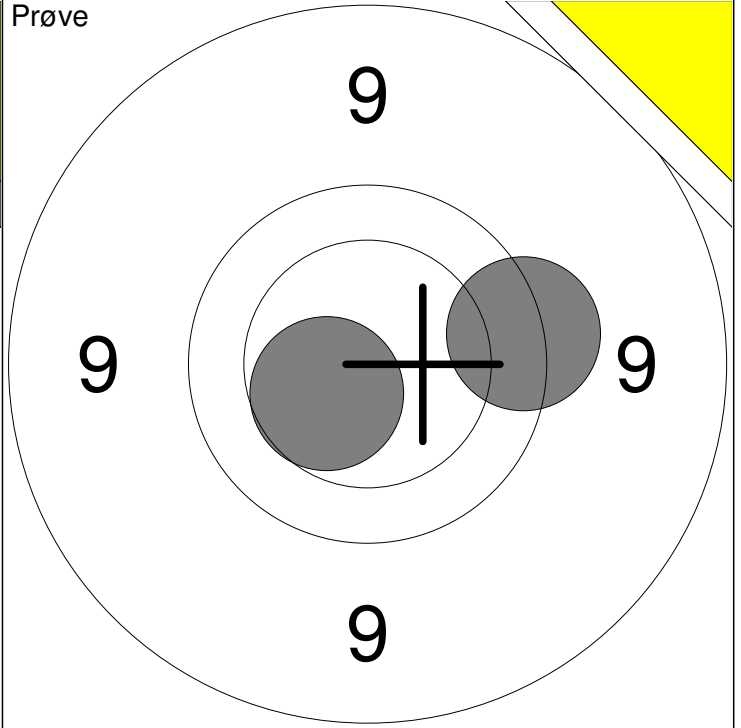
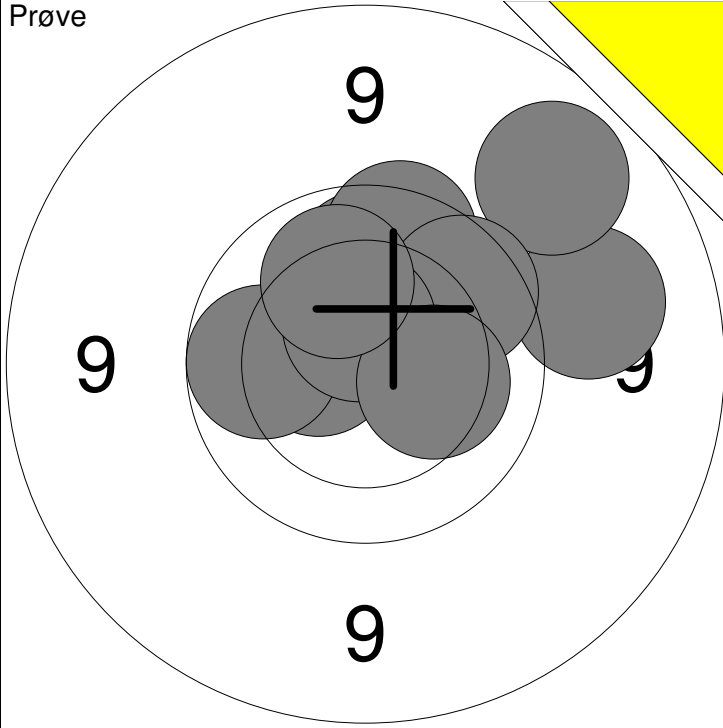
1:	9.9	↗
2:	9.9	↑
3:	9.9	↗
4:	10.7x	↗
5:	10.2	↗
6:	10.7x	↖
Serie	57.0	
Total	0.0	



1:	10.6x	↖
2:	10.5x	→
3:	10.2	↑
4:	10.1	↗
5:	10.5	↘
6:	10.4	→
7:	10.7x	←
8:	10.8x	→
9:	10.7x	↘
10:	10.6x	↑
Serie	100.0	
Total	100.0	

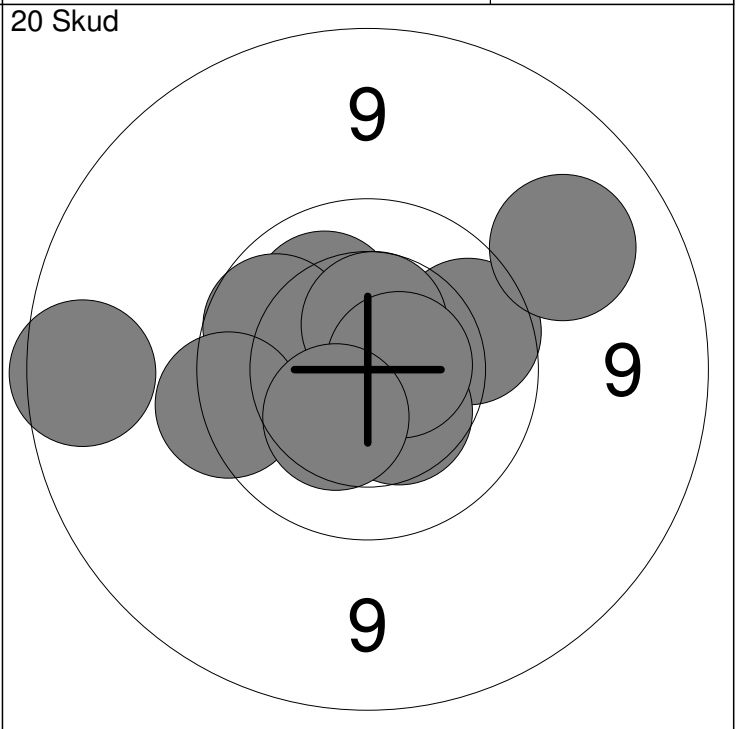
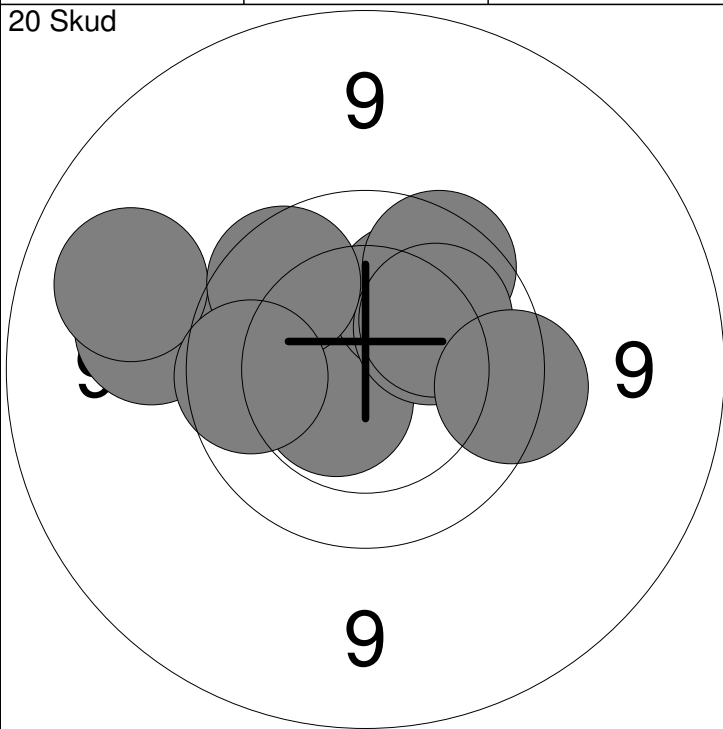


11:	10.4	↗
12:	10.3	↘
13:	10.6x	→
14:	10.8x	↘
15:	10.4	↗
16:	10.7x	↗
17:	10.9x	↖
18:	10.7x	↘
19:	10.8x	↑
20:	10.7x	↘
Serie	100.0	
Total	200.0	



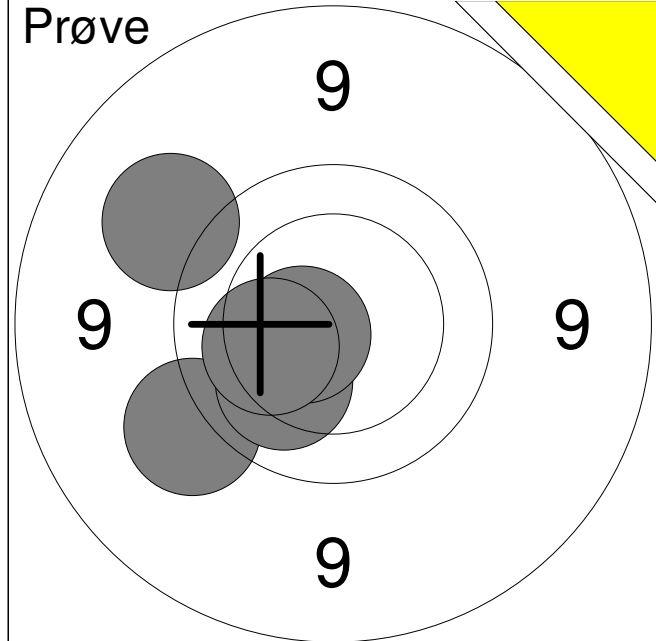
1: 9.2 →	6: 9.9 ↗	Serie	95
2: 9.1 ↗	7: 9.9 ←		
3: 10.5 ←	8: 10.6x ↑	Total	0
4: 10.0 ↑	9: 10.3 →		
5: 9.8 ↑	10: 10.1 ↑		

11: 9.6 →	Serie	19
12: 10.5 ↙		
Total		0

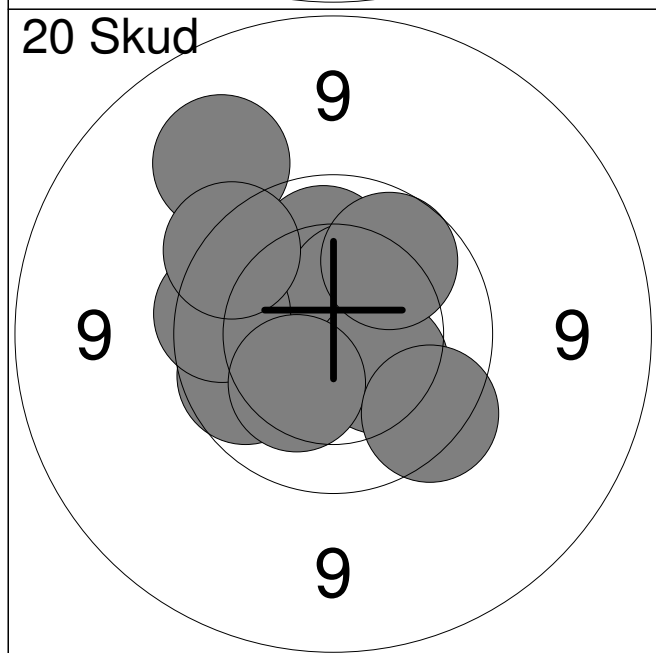


1: 9.3 ←	6: 10.2 ↗	Serie	94
2: 10.5x ↙	7: 9.9 ↖		
3: 9.1 ←	8: 10.1 ↗	Total	94
4: 10.1 ↑	9: 9.9 ←		
5: 9.8 ↑	10: 9.7 →		

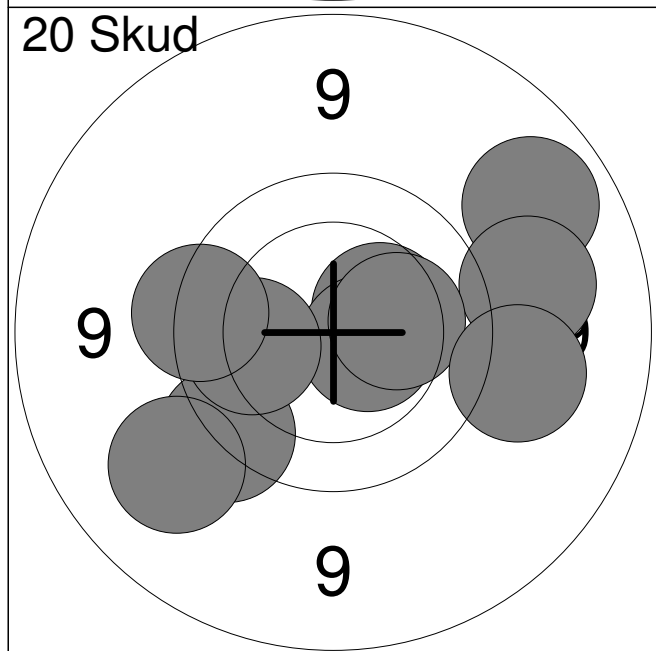
11: 10.1 ↖	16: 10.5 ↑	Serie	94
12: 9.9 →	17: 10.4 ↘		
13: 9.9 ←	18: 9.7 ←	Total	188
14: 9.2 ↗	19: 10.6x →		
15: 8.9 ←	20: 10.4 ↙		



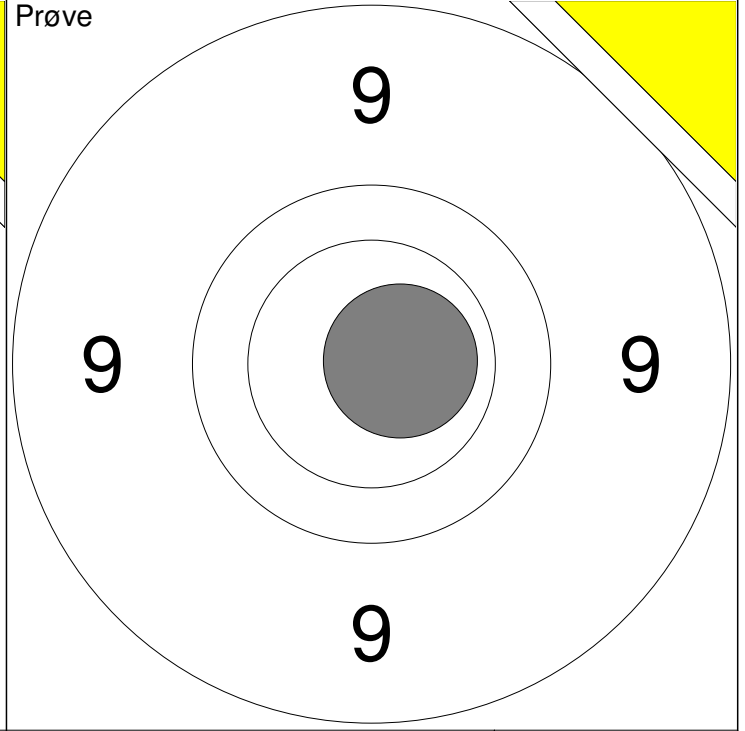
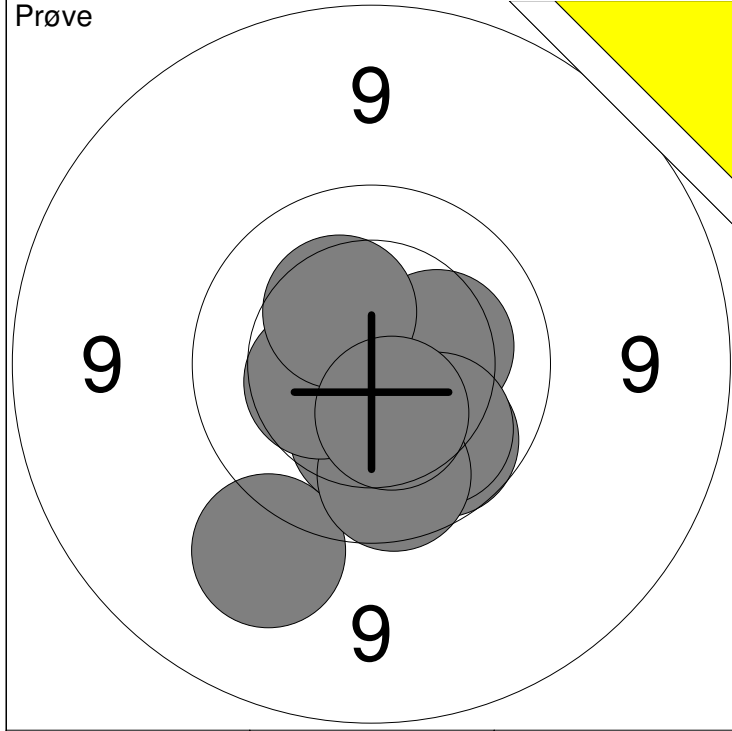
1:	9.4	↙
2:	10.1	↙
3:	9.3	↖
4:	10.6x	←
5:	10.2	←
Serie		48.0
Total		0.0



1:	10.1	↑
2:	10.4	↗
3:	10.3	↘
4:	9.9	←
5:	9.2	↗
6:	9.8	←
7:	10.3	↘
8:	9.9	↗
9:	9.7	↗
10:	9.7	↘
Serie		94.0
Total		94.0

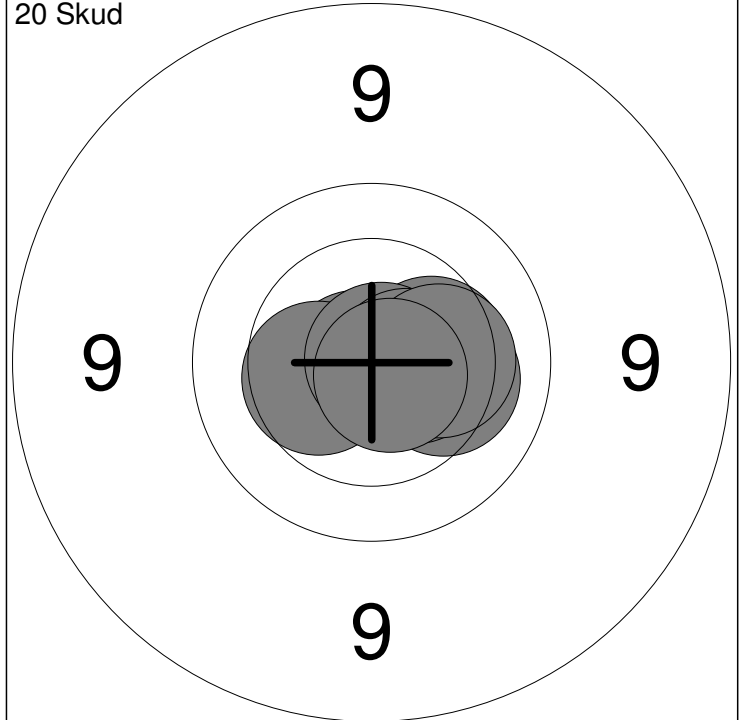
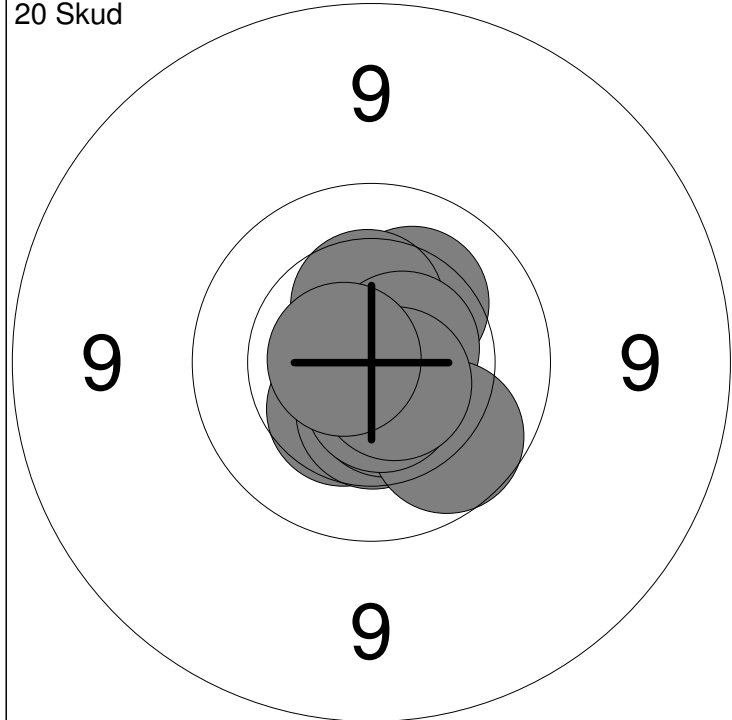


11:	9.0	↗
12:	10.4	↗
13:	10.6x	→
14:	9.6	↘
15:	10.0	←
16:	9.3	→
17:	9.7	←
18:	9.2	↘
19:	10.2	→
20:	9.3	→
Serie		94.0
Total		188.0



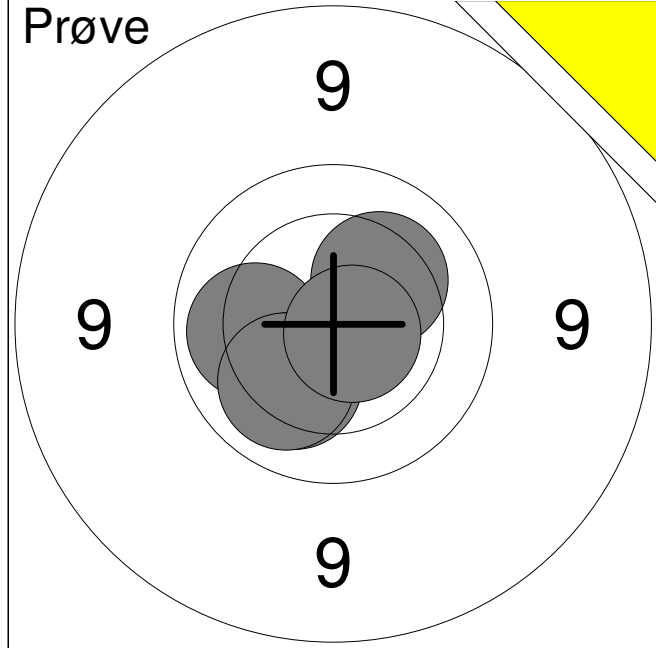
1: 9.3 ↙	6: 10.1 ↘	Serie 97
2: 10.5 →	7: 9.9 ↘	
3: 10.3 →	8: 10.4 ←	Total 0
4: 9.9 ↘	9: 10.3 ↗	
5: 10.3 ↓	10: 10.4 ↘	

11: 10.7x →	Serie 10
	Total 0

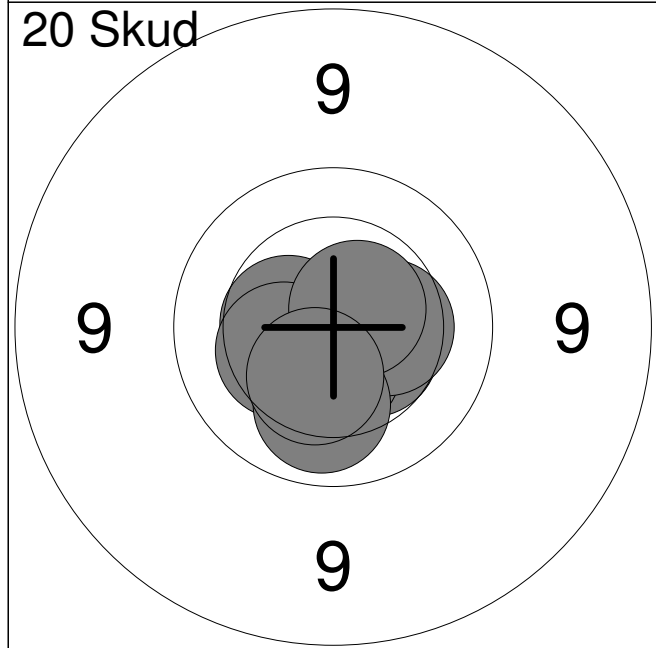


1: 10.2 ↗	6: 10.5x ↘	Serie 99
2: 10.4 ↑	7: 9.9 ↘	
3: 10.6x →	8: 10.6x ↘	Total 99
4: 10.4 ↘	9: 10.6x ↘	
5: 10.5 ↓	10: 10.7x ←	

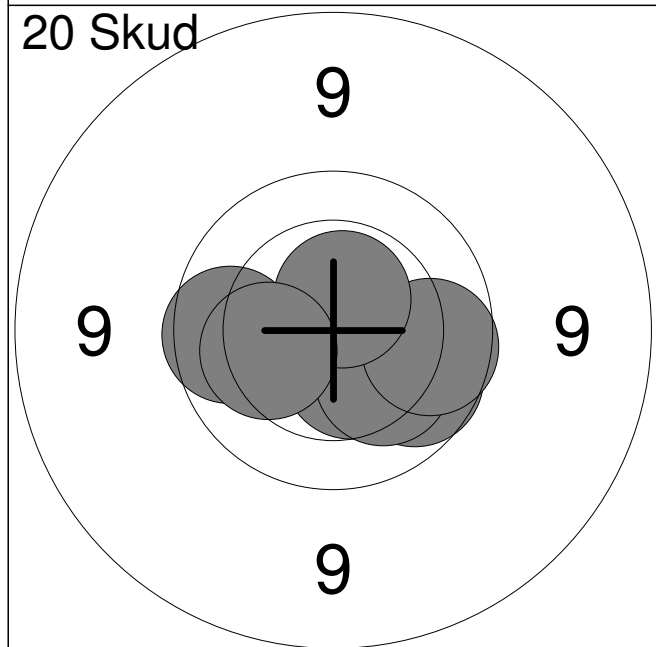
11: 10.2 →	16: 10.4 →	Serie 100
12: 10.8x ←	17: 10.9x →	
13: 10.9x →	18: 10.6x →	Total 199
14: 10.5x →	19: 10.3 →	
15: 10.4 ←	20: 10.7x ↘	



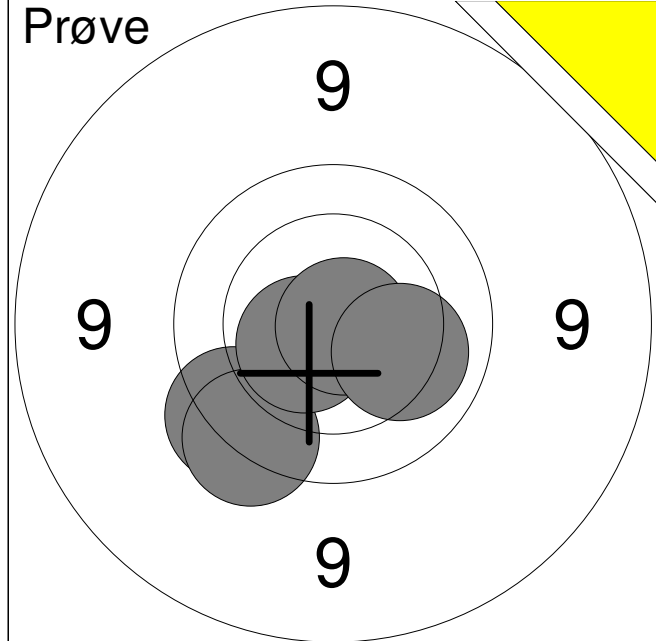
1:	10.2	↗
2:	10.1	←
3:	10.2	↘
4:	10.1	↘
5:	10.7x	↘
Serie		50.0
Total		0.0



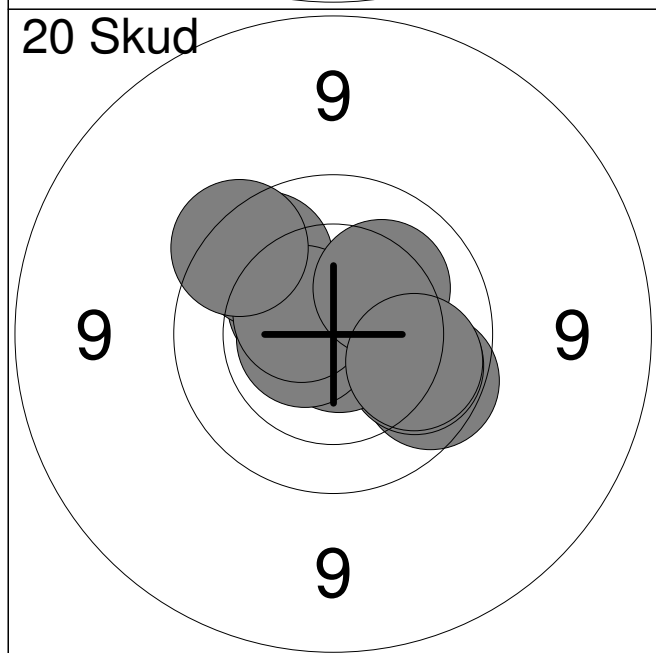
1:	10.8x	↗
2:	10.5	←
3:	10.5	←
4:	10.5	↘
5:	10.5x	↓
6:	10.3	←
7:	10.4	→
8:	10.6x	↗
9:	10.1	↓
10:	10.4	↘
Serie		100.0
Total		100.0



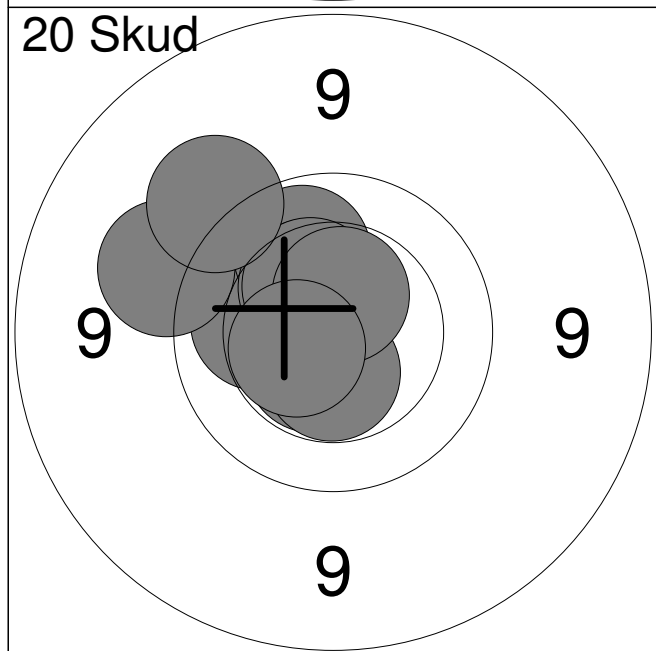
11:	10.7x	↗
12:	10.5x	↘
13:	10.9x	↘
14:	9.9	↘
15:	10.5	↘
16:	10.2	↘
17:	9.9	→
18:	10.6x	↗
19:	9.9	←
20:	10.2	←
Serie		97.0
Total		197.0



1:	9.7	↙
2:	9.6	↙
3:	10.6x	↙
4:	10.8x	→
5:	10.2	↘
Serie		48.0
Total		0.0

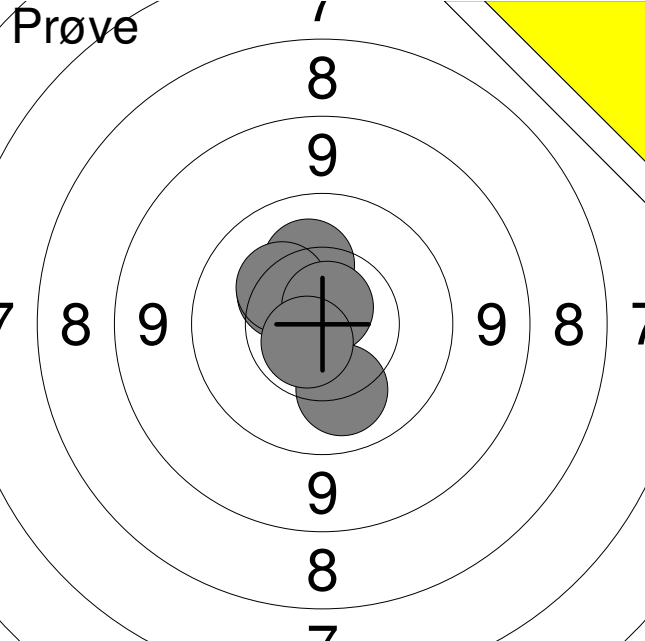
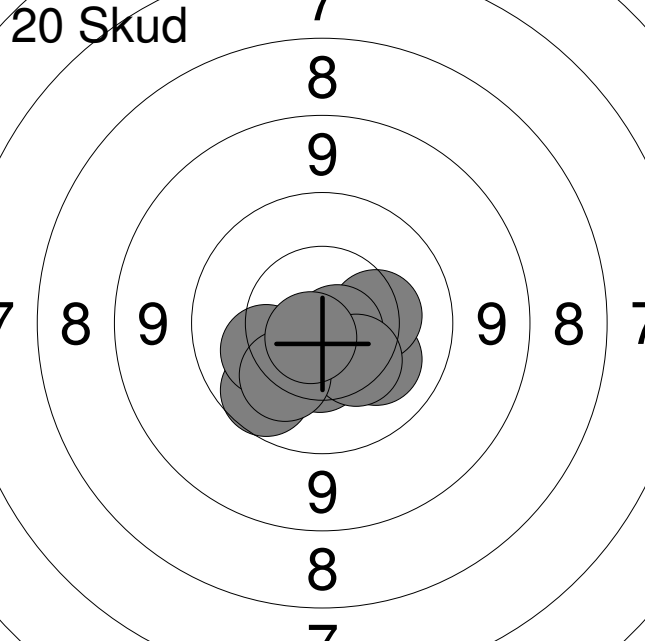
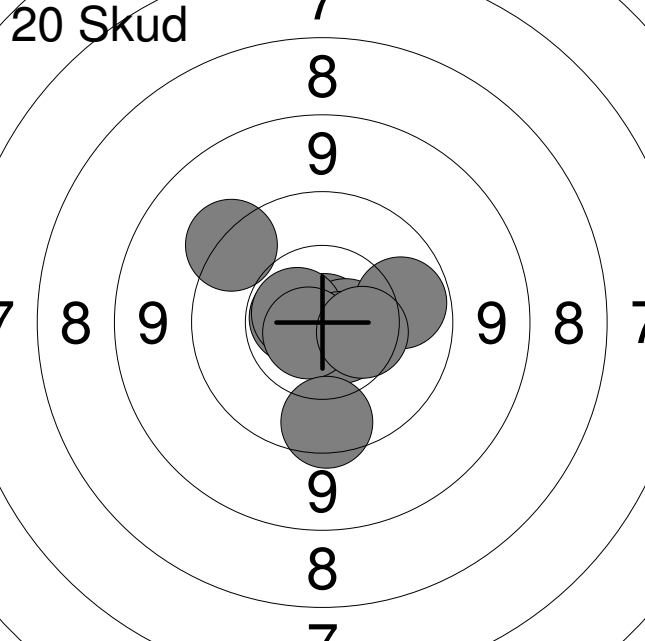


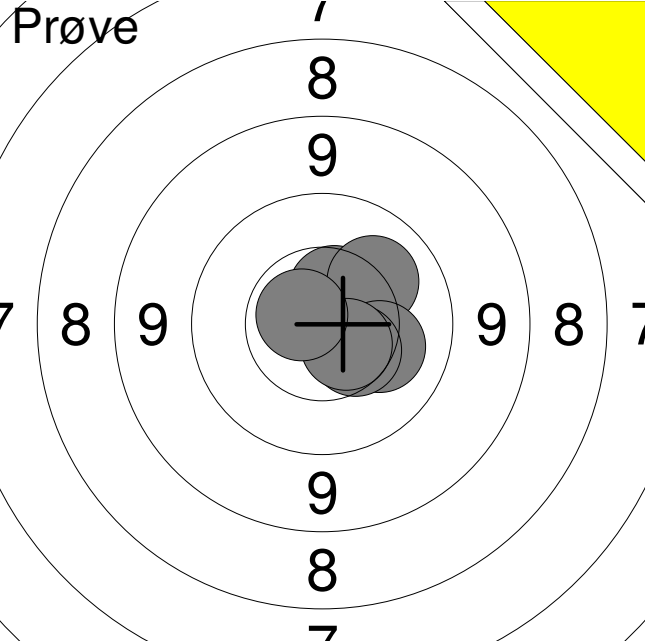
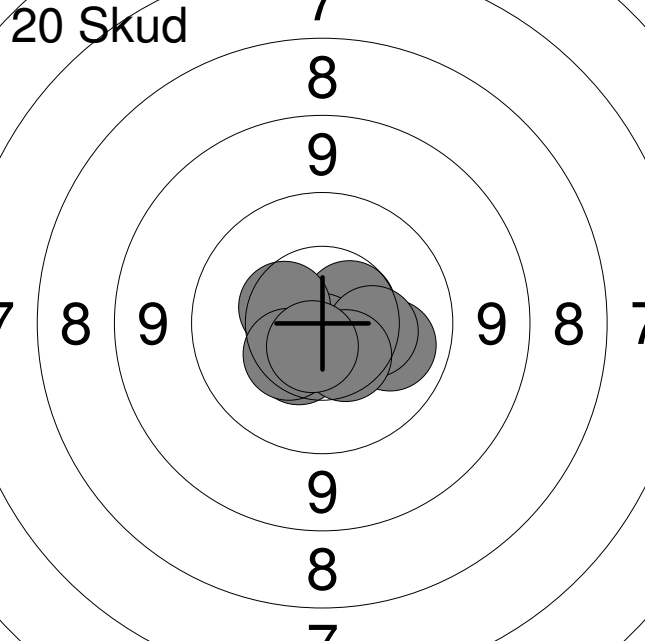
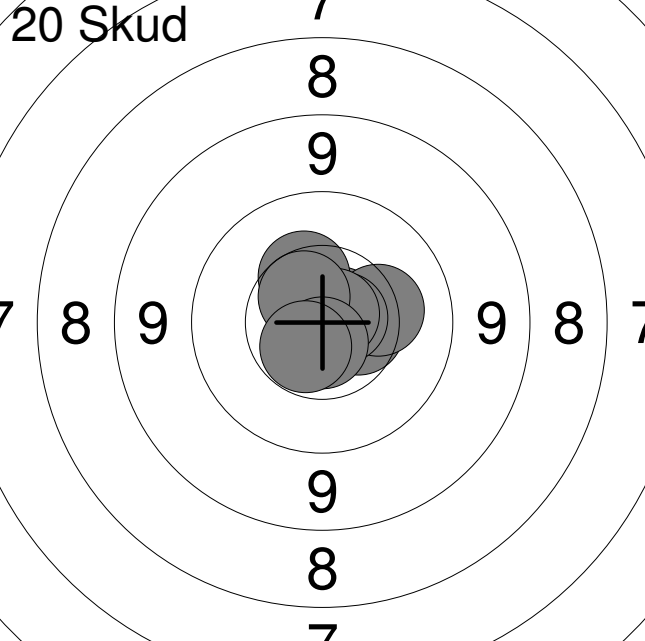
1:	9.8	↘
2:	10.0	↘
3:	10.4	↗
4:	10.8x	↘
5:	10.6x	←
6:	9.9	↗
7:	10.5x	↗
8:	9.7	↗
9:	10.2	↗
10:	10.0	↘
Serie		97.0
Total		97.0

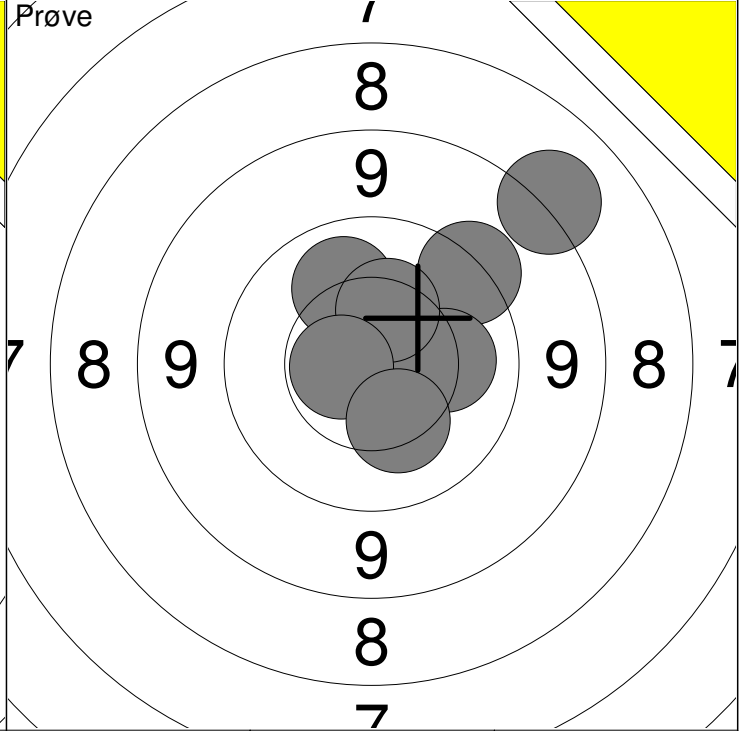
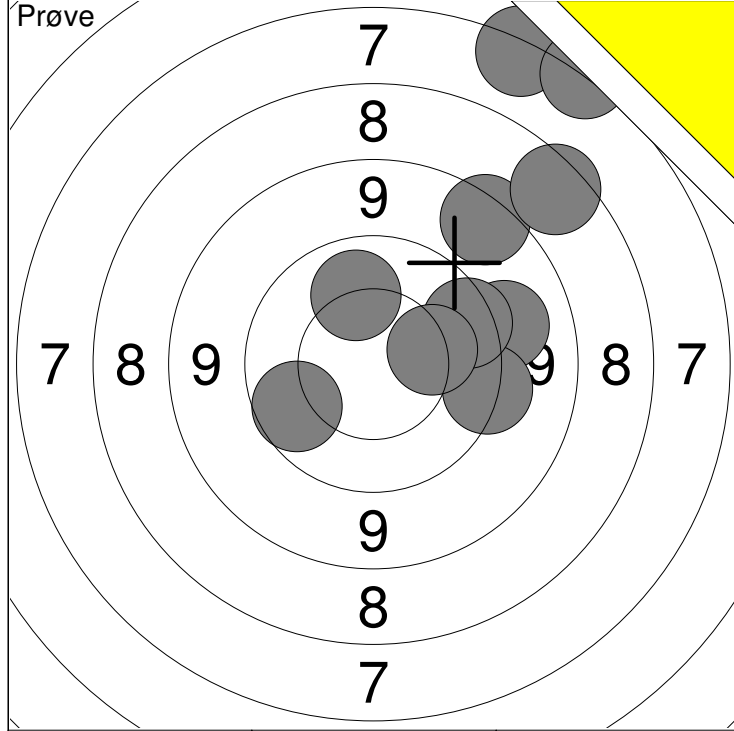


11:	10.1	←
12:	10.0	↗
13:	9.4	↙
14:	10.5x	↘
15:	10.4	↗
16:	10.4	↗
17:	10.5x	↘
18:	9.4	↗
19:	10.5x	↑
20:	10.5x	←
Serie		98.0
Total		195.0

Hold 32	Skive 11	Erik Skovmand	
AAS		Viborg Skytteforening	MVS1
		15 meter stævne 2016	Aalborg Skyttekreds
Prøve 	1	10.4	↑
	2	10.5	↓
	3	10.3	↗
	4	10.8x	↗
	5	10.4	↗
	6	10.6x	↘
	Serie		60.0
Total		0.0	
20 Skud 	1	10.3	→
	2	10.6	↓
	3	10.1	↘
	4	10.1	↗
	5	10.9x	↖
	6	10.4	↗
	7	10.8x	→
	8	10.2	←
	9	10.0	↗
	10	10.6	↘
Serie		100.0	
Total		100.0	
20 Skud 	11	9.1	↓
	12	10.1	↖
	13	10.2	→
	14	10.7x	←
	15	10.2	↖
	16	10.3	←
	17	10.5	↓
	18	10.1	↖
	19	10.5	↓
	20	10.2	→
Serie		99.0	
Total		199.0	

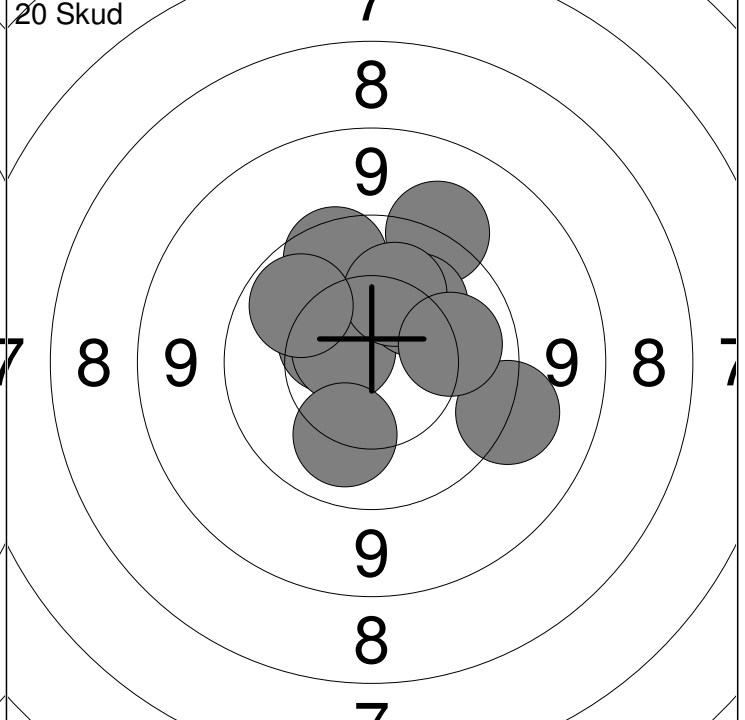
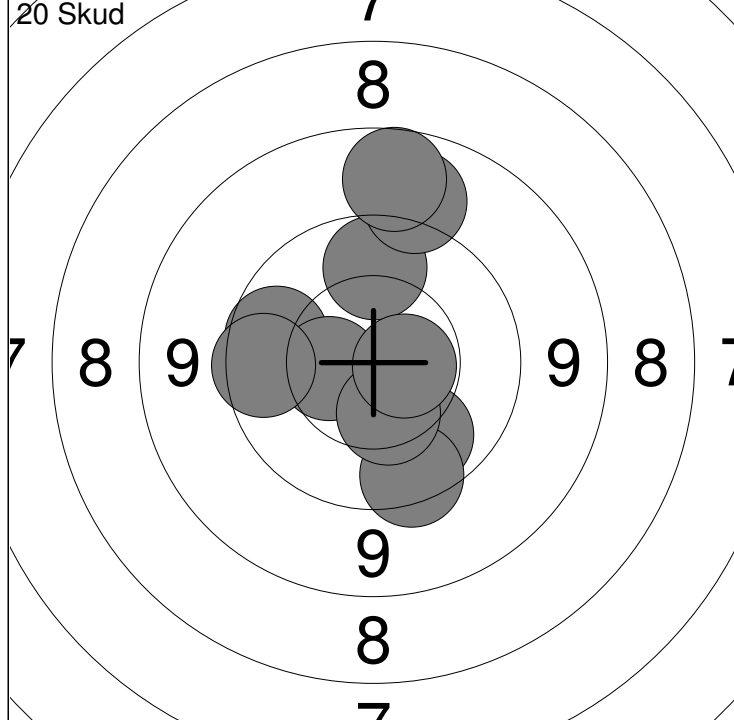
Hold 33	Skive 1	René Stricker Jensen	
AAS		Vodskov Skytteforening	VÅ1
		15 meter stævne 2016	Aalborg Skyttekreds
Prøve		1: 10.2	↑
		2: 10.4	↗
		3: 10.3	↗
		4: 10.7x	↑
		5: 10.1	↓
		6: 10.7x	↘
		Serie	60.0
		Total	0.0
20 Skud		1: 10.2	↘
		2: 10.3	→
		3: 10.6x	↘
		4: 9.9	↘
		5: 10.8x	↘
		6: 10.4	↓
		7: 10.4	↘
		8: 10.2	↖
		9: 10.2	↘
		10: 10.7x	↘
		Serie	99.0
		Total	99.0
20 Skud		11: 10.9x	↗
		12: 10.7x	→
		13: 10.6x	↖
		14: 10.6x	↖
		15: 10.7x	↘
		16: 10.7x	↖
		17: 10.0	→
		18: 10.5	→
		19: 9.7	↓
		20: 9.5	↗
		Serie	98.0
		Total	197.0

Hold 33	Skive 2	Lisbeth Stricker Jensen	
AAS		Vodskov Skytteforening	VÅ1
		15 meter stævne 2016	Aalborg Skyttekreds
Prøve 	7	1: 10.5	↗
	8	2: 10.5	↑
	9	3: 10.2	↗
	7	4: 10.2	→
	8	5: 10.4	↘
	9	6: 10.6	↘
	8	7: 10.7x	↖
	7	Serie	70.0
		Total	0.0
20 Skud 	7	1: 10.8x	→
	8	2: 10.6	↗
	9	3: 10.4	↘
	7	4: 10.8x	↓
	8	5: 10.1	→
	9	6: 10.4	→
	8	7: 10.5	↖
	9	8: 10.4	↘
	8	9: 10.5	↘
	7	10: 10.6x	↓
		Serie	100.0
		Total	100.0
20 Skud 	7	11: 10.5	→
	8	12: 10.7x	↗
	9	13: 10.7x	↘
	7	14: 10.3	→
	8	15: 10.4	↑
	9	16: 10.7x	→
	8	17: 10.8x	↗
	9	18: 10.6	↗
	8	19: 10.7x	↓
	7	20: 10.6x	↘
		Serie	100.0
		Total	200.0



1: 6.5 ↗	2: 6.3 ↗	3: 8.6 ↗	4: 7.7 ↗	5: 9.3 →	6: 10.1 ↑	7: 9.5 →	8: 9.7 →	9: 10.2 →	10: 9.9 ←	Serie	83	Total	0
----------	----------	----------	----------	----------	-----------	----------	----------	-----------	-----------	-------	----	-------	---

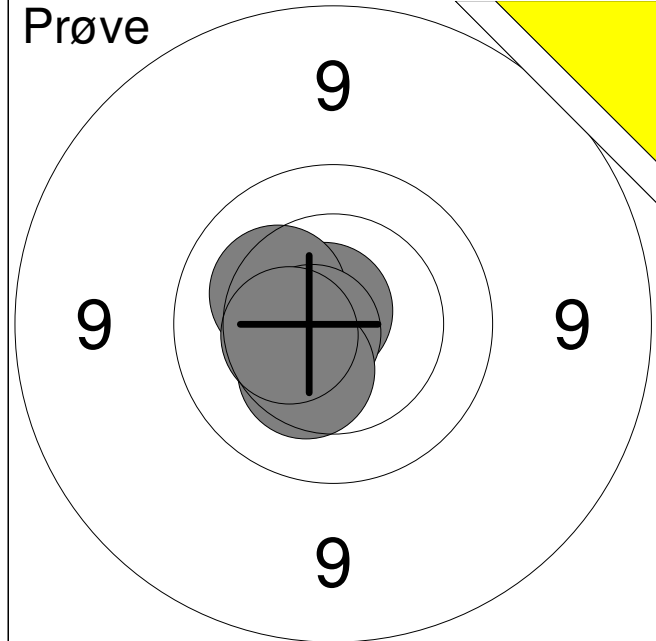
11: 8.3 ↗	12: 10.1 ↑	13: 9.5 ↗	14: 10.2 →	15: 10.4 ↑	16: 10.6x ←	17: 10.3 ↓	Serie	67	Total	0
-----------	------------	-----------	------------	------------	-------------	------------	-------	----	-------	---



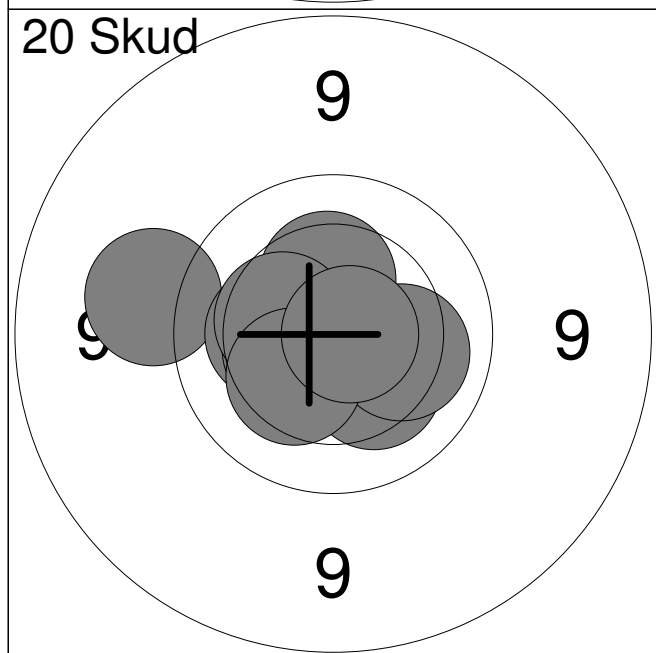
1: 10.0 ↓	2: 10.0 ↑	3: 9.7 ↓	4: 9.1 ↑	5: 9.9 ←	6: 8.9 ↑	7: 10.5 ←	8: 10.4 ↓	9: 9.8 ←	10: 10.6x →	Serie	94	Total	94
-----------	-----------	----------	----------	----------	----------	-----------	-----------	----------	-------------	-------	----	-------	----

11: 10.5 ←	12: 9.8 ↑	13: 10.6x ←	14: 9.4 →	15: 9.4 ↑	16: 10.2 ↑	17: 10.1 ↓	18: 10.2 ↑	19: 10.0 ←	20: 10.1 →	Serie	97	Total	191
------------	-----------	-------------	-----------	-----------	------------	------------	------------	------------	------------	-------	----	-------	-----

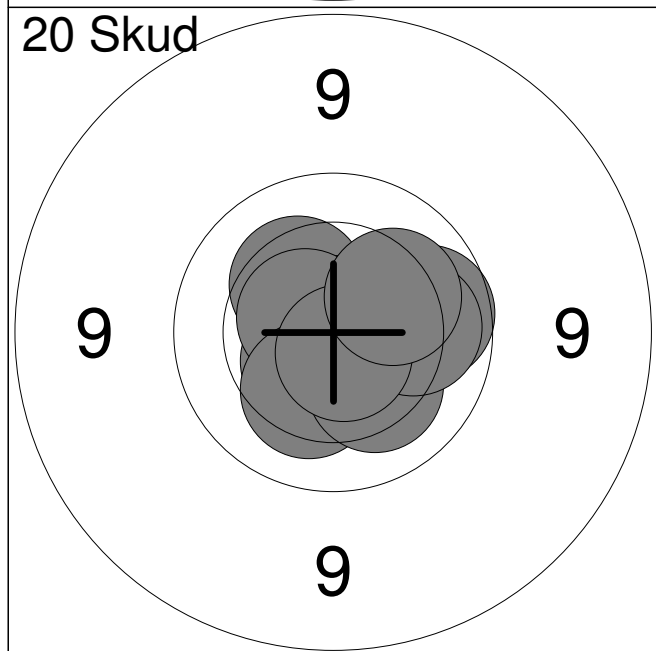
Hold 33	Skive 4	Jonas Brix Kristensen		
AAS		Vester Hassing Skf.	MJ1	
		15 meter stævne 2016	Aalborg Skyttekreds	
Prøve		1:	10.2	↗
		2:	10.2	↗
		3:	10.3	←
		4:	10.4	↘
		5:	10.6x	↘
		6:	10.7x	↗
		Serie		60.0
Total		0.0		
20 Skud		1:	10.8x	←
		2:	10.5	→
		3:	9.9	←
		4:	10.8x	↗
		5:	10.0	↘
		6:	10.6x	→
		7:	10.0	↗
		8:	10.5	↗
		9:	10.7x	↗
		10:	10.6	↘
Serie		99.0		
Total		99.0		
20 Skud		11:	9.7	↘
		12:	9.7	↘
		13:	10.0	↗
		14:	10.0	↗
		15:	9.8	↗
		16:	10.4	←
		17:	10.3	↗
		18:	10.7x	↗
		19:	10.7x	↗
		20:	10.3	↗
Serie		97.0		
Total		196.0		



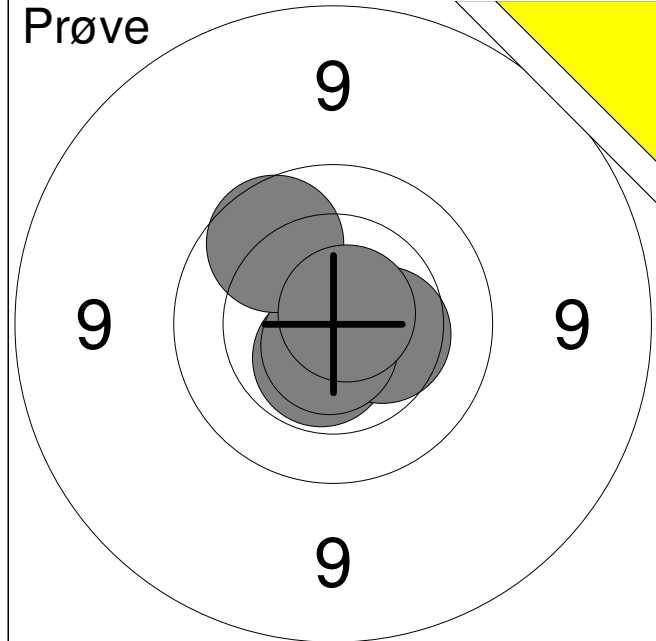
1:	10.8x	↗
2:	10.3	↖
3:	10.7x	←
4:	10.4	↘
5:	10.4	←
Serie		50.0
Total		0.0



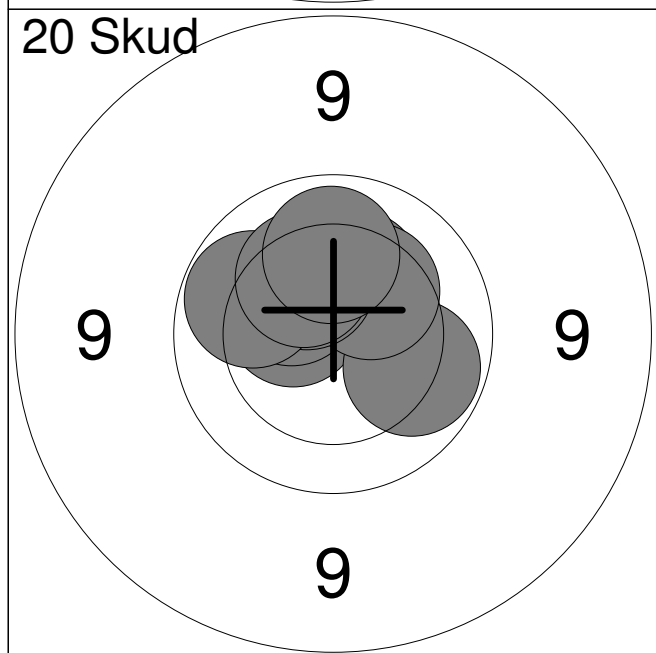
1:	9.4	←
2:	10.3	↘
3:	10.3	←
4:	10.5	←
5:	10.8x	↗
6:	10.3	↑
7:	10.2	→
8:	10.4	←
9:	10.3	↘
10:	10.8x	→
Serie		99.0
Total		99.0



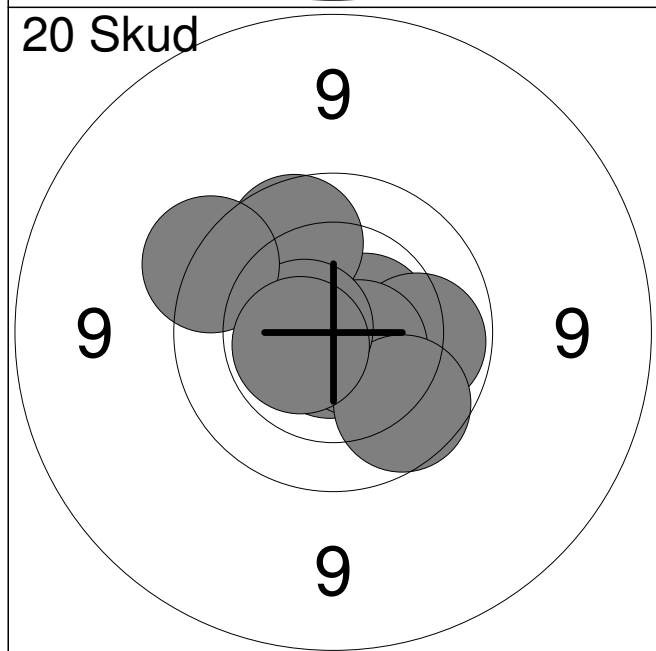
11:	10.3	↗
12:	9.9	→
13:	10.5x	↘
14:	10.8x	↗
15:	10.6x	↗
16:	10.3	↘
17:	10.2	↘
18:	10.1	→
19:	10.7x	↘
20:	10.2	↗
Serie		99.0
Total		198.0



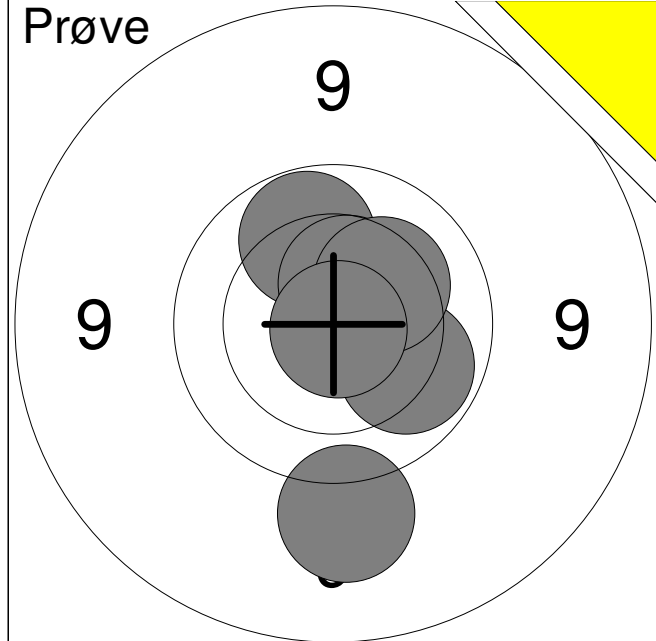
1:	10.5x	↘
2:	10.4	→
3:	10.7x	↘
4:	9.9	↗
5:	10.8x	↗
Serie		49.0
Total		0.0



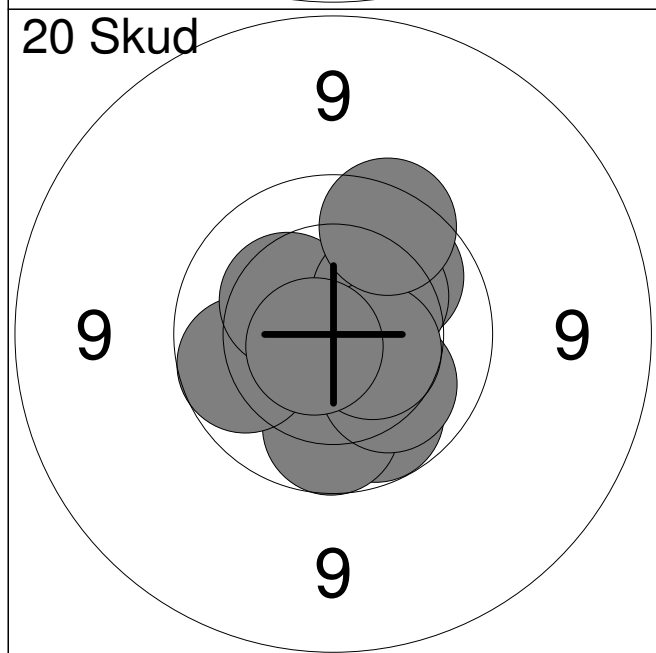
1:	10.4	↗
2:	10.5	↖
3:	10.3	↗
4:	10.3	↗
5:	10.0	→
6:	10.3	↗
7:	10.3	↗
8:	10.0	↖
9:	10.3	↗
10:	10.1	↑
Serie		100.0
Total		100.0



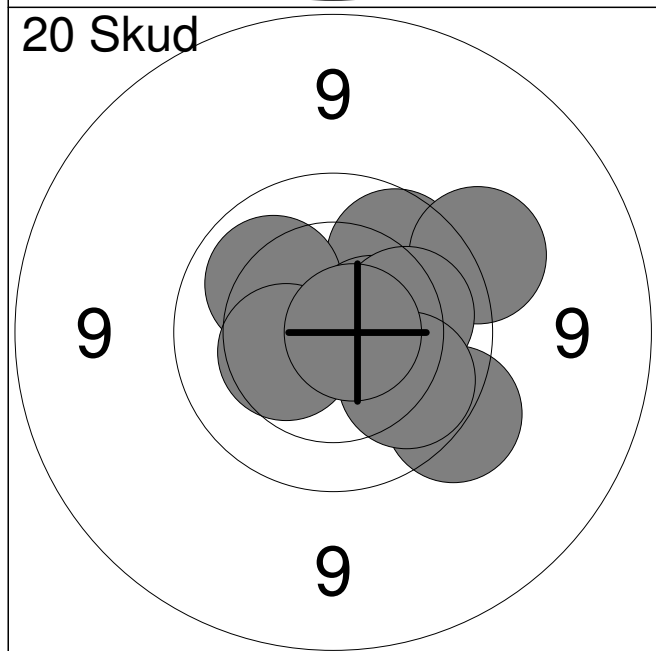
11:	10.2	→
12:	10.6x	→
13:	10.8x	↘
14:	10.0	→
15:	9.9	↗
16:	10.6x	↘
17:	9.9	↘
18:	10.6x	←
19:	9.6	↗
20:	10.6x	↖
Serie		97.0
Total		197.0



1:	9.3	↓
2:	10.0	↘
3:	10.0	↑
4:	10.5	↑
5:	10.3	↗
6:	10.9x	↘
Serie		59.0
Total		0.0

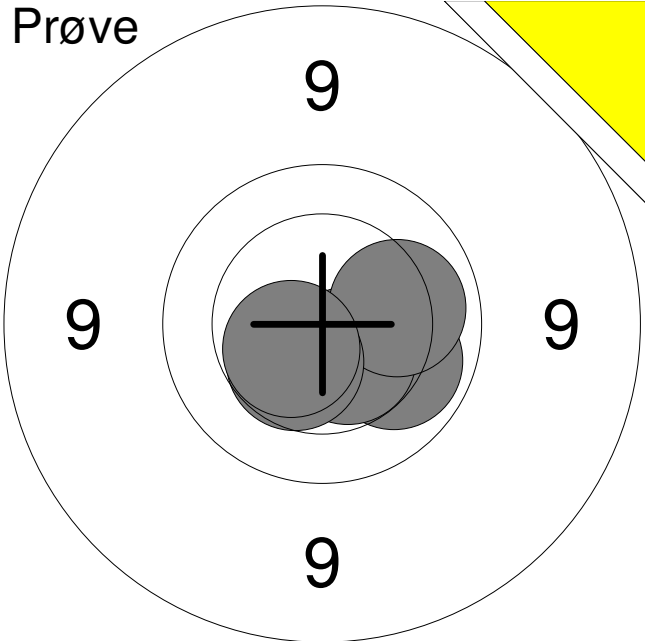
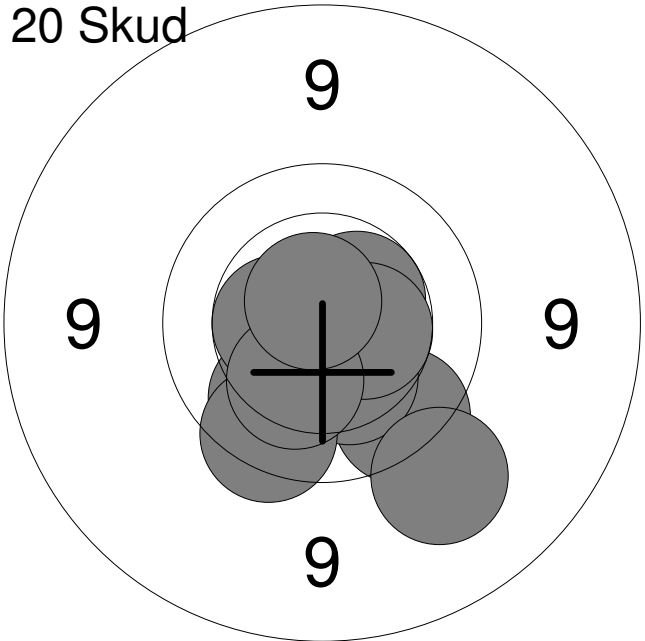
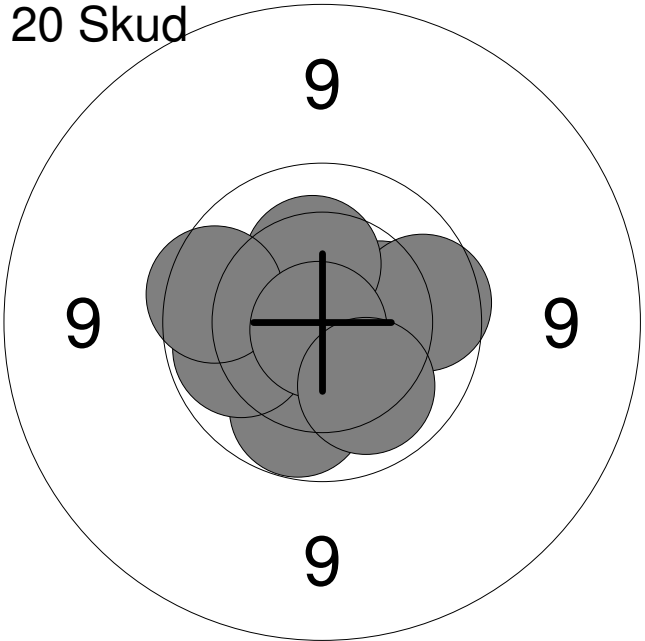


1:	10.0	↘
2:	9.9	↓
3:	10.1	↘
4:	9.9	←
5:	10.0	↗
6:	10.3	↖
7:	10.3	↗
8:	10.5	↘
9:	9.8	↑
10:	10.7x	←
Serie		97.0
Total		97.0

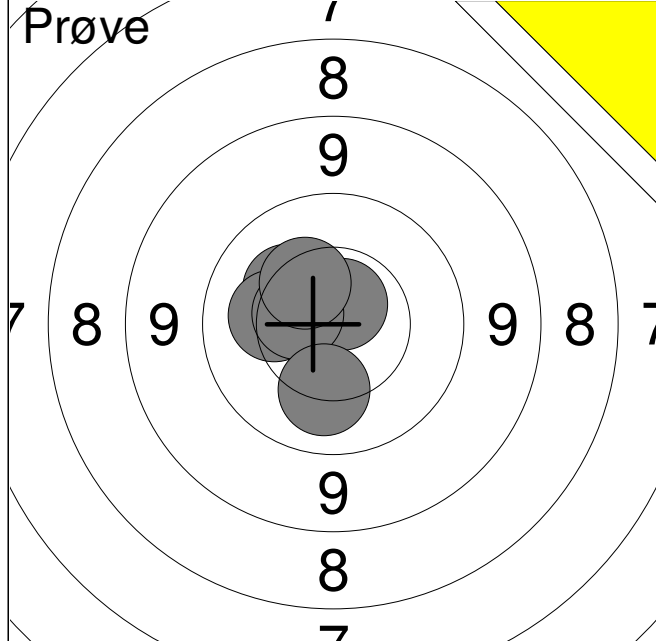


11:	9.9	↗
12:	9.6	↘
13:	10.7x	→
14:	10.1	↖
15:	9.5	↗
16:	10.4	←
17:	10.5x	→
18:	10.1	→
19:	10.0	↘
20:	10.7x	→
Serie		97.0
Total		194.0

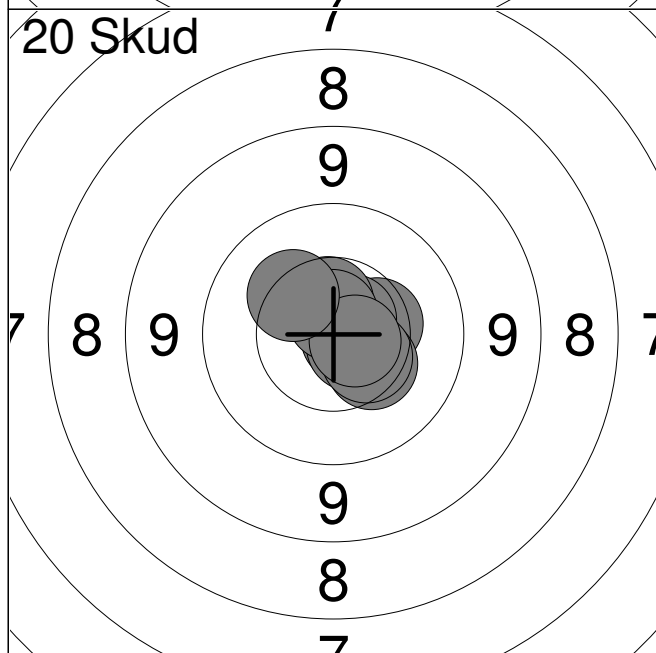
Hold 34	Skive 6	Emil Hedemann	
AAS		Vester Hassing Skf.	MB1
		15 meter stævne 2016	Aalborg Skyttekreds
Prøve		1: 10.5x	←
		2: 10.4	↖
		3: 10.5	↑
		4: 10.6x	→
		5: 10.5	↘
		Serie	50.0
		Total	0.0
20 Skud		1: 10.3	↑
		2: 10.5x	↓
		3: 10.3	↗
		4: 10.6x	↗
		5: 10.6x	↑
		6: 10.5x	↘
		7: 10.6x	→
		8: 10.5x	←
		9: 10.8x	↖
		10: 10.6x	↑
		Serie	100.0
		Total	100.0
20 Skud		11: 10.3	↗
		12: 10.5	↓
		13: 10.6x	↓
		14: 10.7x	↗
		15: 10.7x	↑
		16: 10.4	↗
		17: 10.6x	←
		18: 10.5x	←
		19: 10.0	↓
		20: 10.7x	→
		Serie	100.0
		Total	200.0

Hold 34	Skive 11	Erik Skovmand	
AAS		Viborg Skytteforening	VS1
		15 meter stævne 2016	Aalborg Skyttekreds
Prøve 		1: 10.1 → 2: 10.5x ↓ 3: 10.1 → 4: 10.4 ↓ 5: 10.5x ↙	
		Serie	50.0
		Total	0.0
20 Skud 		1: 9.8 ↘ 2: 10.5 ↗ 3: 10.0 ↓ 4: 10.3 ↓ 5: 9.7 ↓ 6: 10.5 ← 7: 9.3 ↘ 8: 10.5 → 9: 10.2 ↓ 10: 10.7x ↗	
		Serie	97.0
		Total	97.0
20 Skud 		11: 10.3 → 12: 10.8x ↓ 13: 10.8x ← 14: 10.0 ↓ 15: 10.0 ← 16: 9.9 → 17: 10.3 ↑ 18: 9.8 ← 19: 10.9x ↓ 20: 10.1 ↓	
		Serie	98.0
		Total	195.0

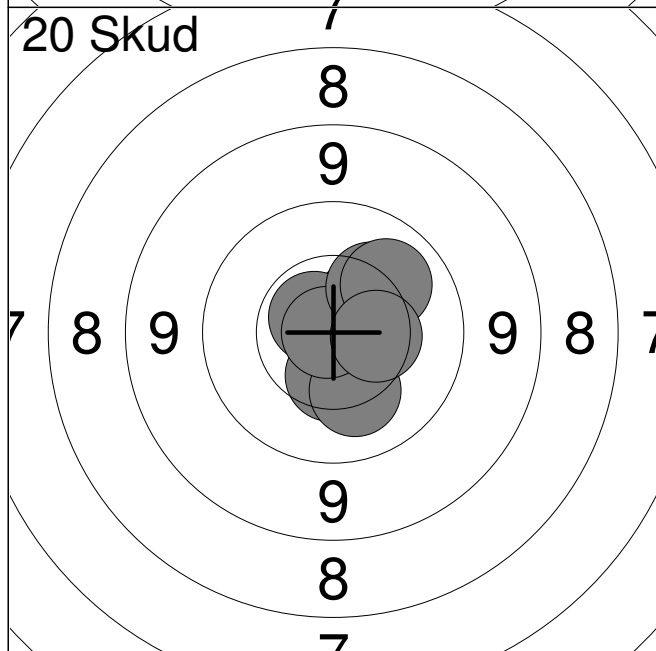
Hold 35	Skive 1	René Stricker Jensen		
AAS		Vodskov Skytteforening	MVÅ1	
		15 meter stævne 2016	Aalborg Skyttekreds	
Prøve		1:	10.1	↓
		2:	10.3	→
		3:	10.5	↗
		4:	10.5	→
		5:	10.6x	↓
		Serie	50.0	
		Total	0.0	
20 Skud		1:	10.5	↗
		2:	10.7x	↘
		3:	10.6x	↘
		4:	10.4	↗
		5:	10.8x	↘
		6:	10.6x	←
		7:	10.3	↘
		8:	9.9	→
		9:	10.6	↘
		10:	10.7x	↘
		Serie	99.0	
		Total	99.0	
20 Skud		11:	10.4	→
		12:	10.5	→
		13:	10.5	→
		14:	10.8x	↘
		15:	10.7x	↘
		16:	10.2	↘
		17:	10.3	←
		18:	10.4	↘
		19:	10.5	↘
		20:	10.5	↘
		Serie	100.0	
		Total	199.0	



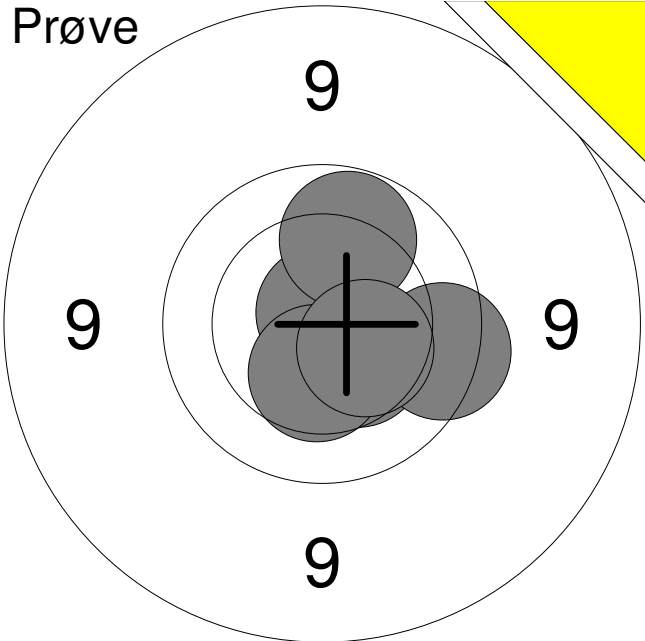
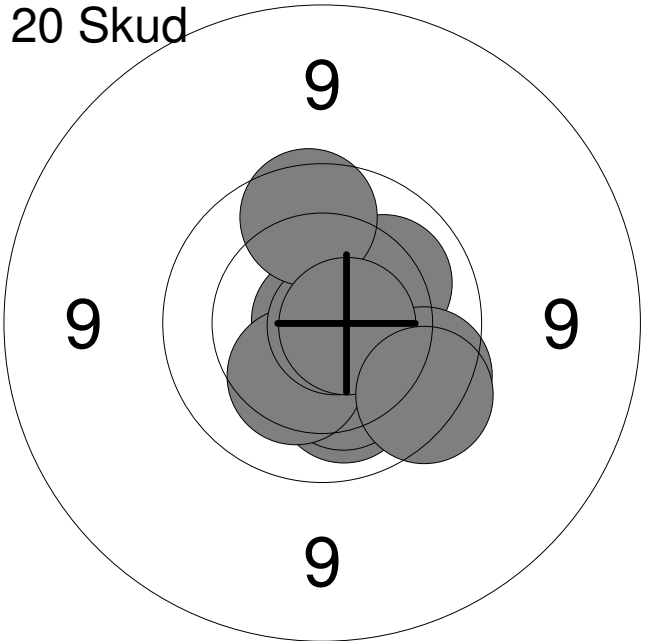
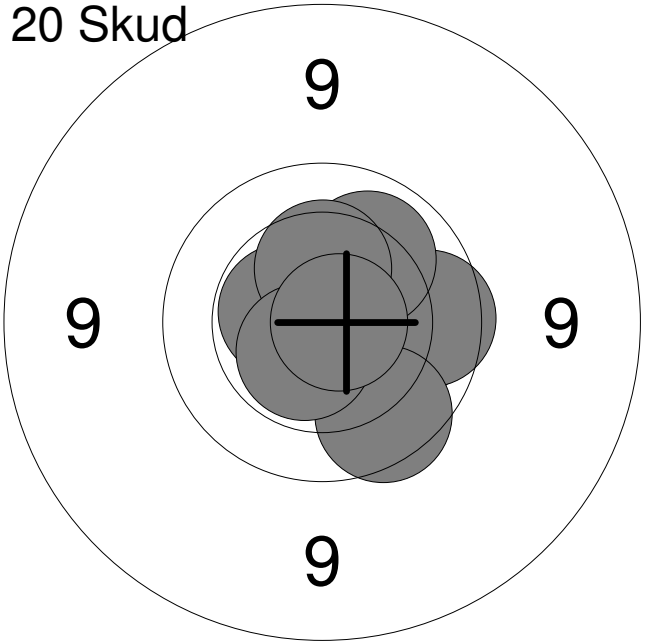
1:	10.3	↗
2:	10.2	←
3:	10.7x	↗
4:	10.5	←
5:	10.2	↓
6:	10.4	↗
Serie		60.0
Total		0.0

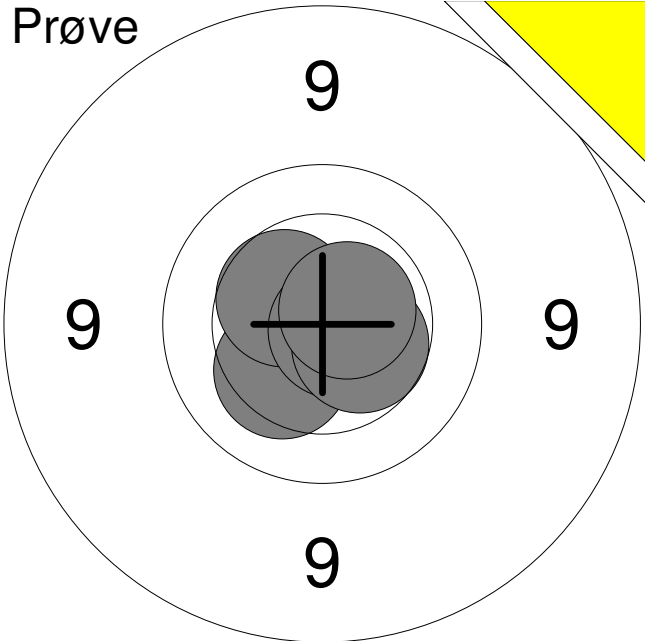
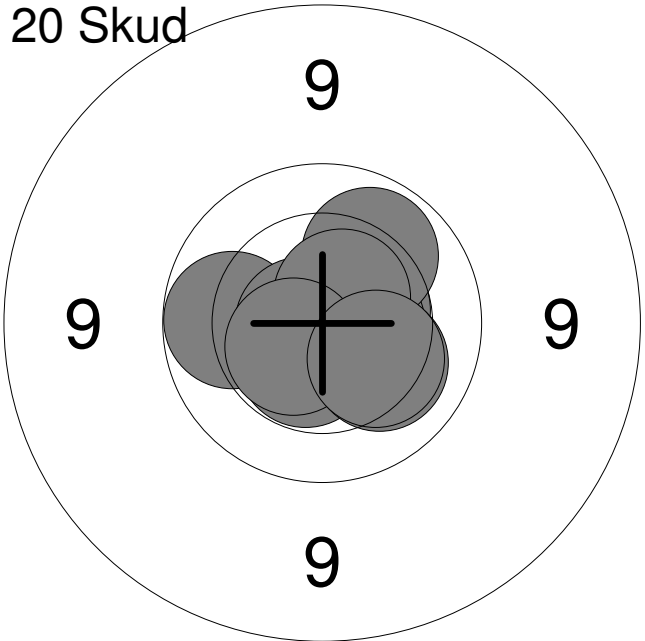
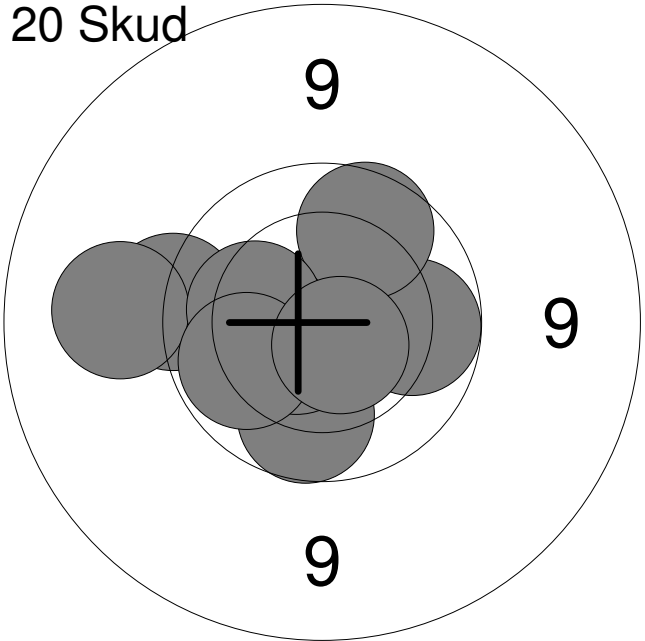


1:	10.4	→
2:	10.8x	→
3:	10.7x	↗
4:	10.7x	↘
5:	10.6	↑
6:	10.4	↘
7:	10.5	↘
8:	10.7x	↑
9:	10.7x	↘
10:	10.3	↗
Serie		100.0
Total		100.0



11:	10.5	↓
12:	10.4	↓
13:	10.7x	↘
14:	10.5	↗
15:	10.2	↓
16:	10.7x	↗
17:	10.9x	←
18:	10.3	↗
19:	10.1	↗
20:	10.4	→
Serie		100.0
Total		200.0

Hold	Skive	Lars Ørum Pedersen	
35	4	Aalborg Skyttekreds	MVS1
AAS		15 meter stævne 2016	Aalborg Skyttekreds
Prøve 	1:	10.4	↘
	2:	10.8x	↑
	3:	10.0	↑
	4:	9.7	→
	5:	10.4	↓
	6:	10.4	↘
	Serie		59.0
Total		0.0	
20 Skud 	1:	10.9x	↗
	2:	10.1	↗
	3:	10.1	↓
	4:	10.3	↓
	5:	9.8	↘
	6:	10.3	↓
	7:	10.8x	→
	8:	9.9	↑
	9:	10.7x	→
	10:	9.7	↘
	Serie		97.0
Total		97.0	
20 Skud 	11:	10.1	→
	12:	10.4	→
	13:	10.5x	←
	14:	10.4	↘
	15:	9.9	→
	16:	10.1	↗
	17:	9.8	↓
	18:	10.4	↑
	19:	10.6x	↘
	20:	10.8x	→
	Serie		98.0
Total		195.0	

Hold 35	Skive 11	Erik Skovmand	
AAS		Viborg Skytteforening	MVS1
		15 meter stævne 2016	Aalborg Skyttekreds
Prøve 		1: 10.3 ↙ 2: 10.4 ↗ 3: 10.8x ↘ 4: 10.5 ↘ 5: 10.6x ↗	
		Serie	50.0
		Total	0.0
20 Skud 		1: 10.0 ← 2: 10.5 → 3: 10.6x → 4: 10.7x ← 5: 10.5x ↓ 6: 10.0 ↗ 7: 10.6x ↗ 8: 10.2 ↘ 9: 10.5x ↙ 10: 10.2 ↘	
		Serie	100.0
		Total	100.0
20 Skud 		11: 10.3 ↙ 12: 9.9 ↓ 13: 9.6 ← 14: 10.6x ↙ 15: 9.2 ← 16: 10.0 → 17: 9.9 ↗ 18: 10.2 ← 19: 10.0 ↙ 20: 10.6x ↘	
		Serie	96.0
		Total	196.0